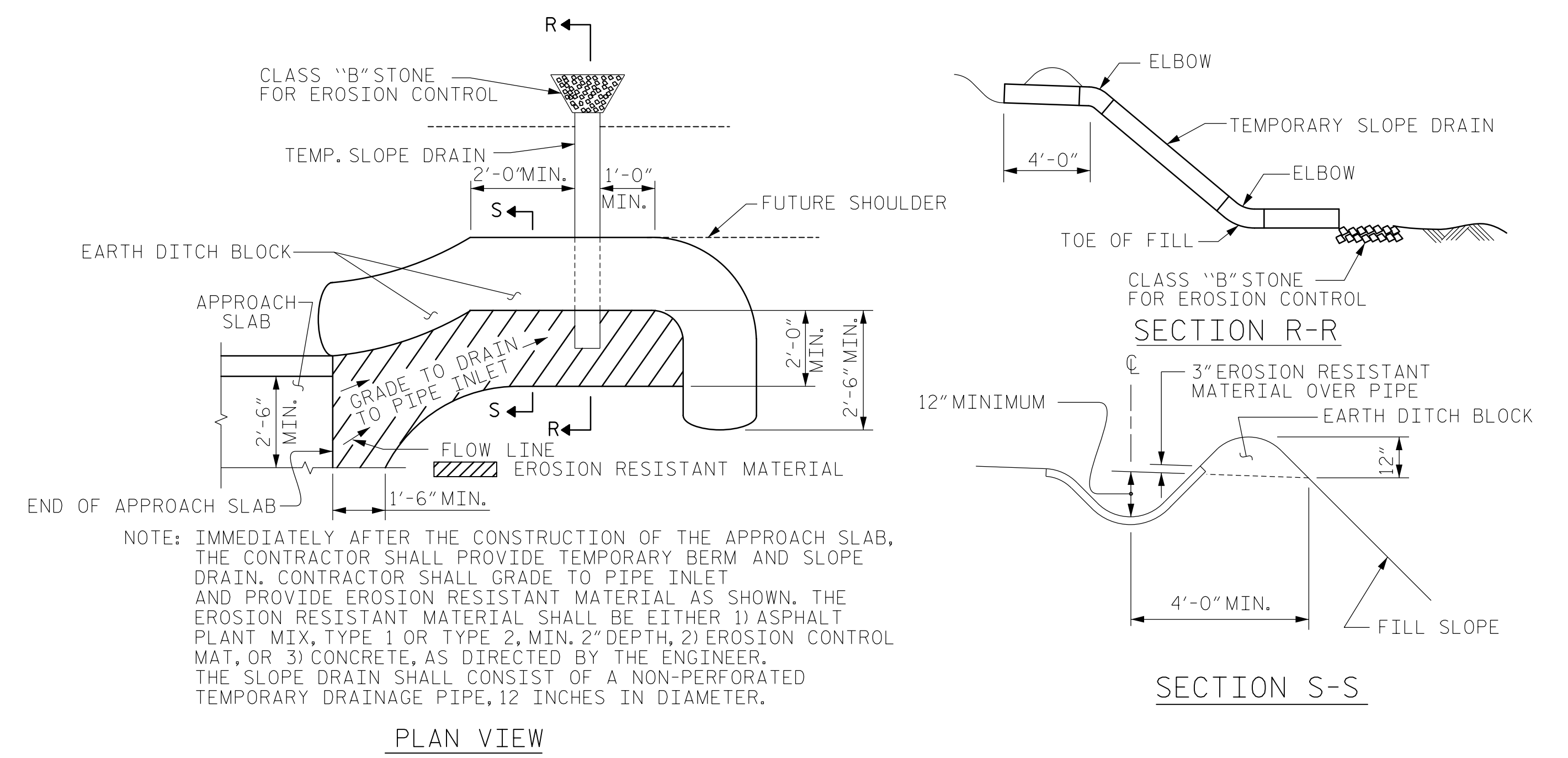


2/18/2015 1:10:07 PM Y:\Drawings\2011 DWGS\B11-11 Sugar Creek Rd - NCDOT\Structures\RFC\SH78-U-5008-SD-AS-3.dgn

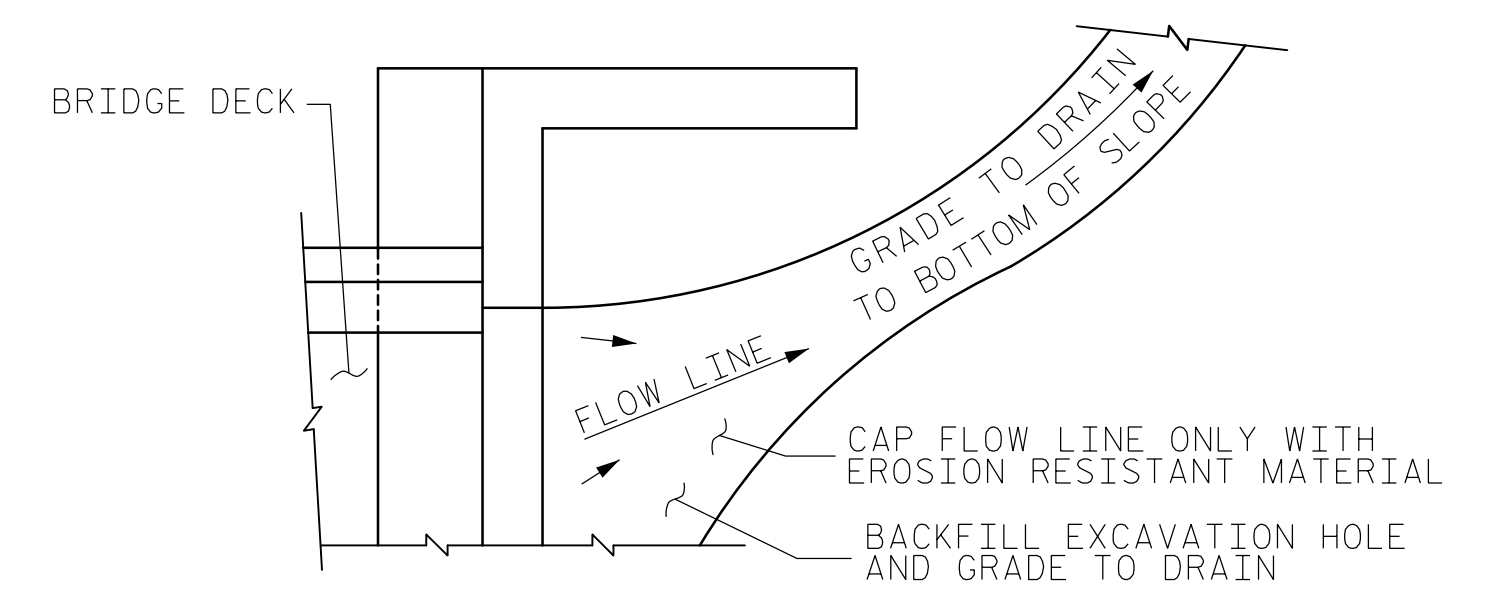


NOTE: IMMEDIATELY AFTER THE CONSTRUCTION OF THE APPROACH SLAB, THE CONTRACTOR SHALL PROVIDE TEMPORARY BERM AND SLOPE DRAIN. CONTRACTOR SHALL GRADE TO PIPE INLET AND PROVIDE EROSION RESISTANT MATERIAL AS SHOWN. THE EROSION RESISTANT MATERIAL SHALL BE EITHER 1) ASPHALT PLANT MIX, TYPE 1 OR TYPE 2, MIN. 2" DEPTH, 2) EROSION CONTROL MAT, OR 3) CONCRETE, AS DIRECTED BY THE ENGINEER. THE SLOPE DRAIN SHALL CONSIST OF A NON-PERFORATED TEMPORARY DRAINAGE PIPE, 12 INCHES IN DIAMETER.

PLAN VIEW

### TEMPORARY BERM AND SLOPE DRAIN DETAILS

(TO BE USED WHEN SHOULDER BERM GUTTER IS REQUIRED)



NOTE: IF THE APPROACH SLAB IS NOT CONSTRUCTED IMMEDIATELY AFTER THE BACKFILLING OF THE END BENT EXCAVATION, GRADE TO DRAIN TO THE BOTTOM OF THE SLOPE AND PROVIDE EROSION RESISTANT MATERIAL, SUCH AS FIBERGLASS ROVING OR AS DIRECTED BY THE ENGINEER TO PREVENT SOIL EROSION AND TO PROTECT THE AREA ADJACENT TO THE STRUCTURE. THE CONTRACTOR WILL BE REQUIRED TO REMOVE THESE MATERIALS PRIOR TO CONSTRUCTION OF THE APPROACH SLAB.

TEMPORARY DRAINAGE DETAIL

PROJECT NO. U-5008  
MECKLENBURG COUNTY  
 STATION: 20+45.05 -L- P.O.T. =  
14+54.24 -Y4- P.O.T.  
 SHEET 3 OF 3

STATE OF NORTH CAROLINA  
 DEPARTMENT OF TRANSPORTATION  
 RALEIGH

BRIDGE APPROACH  
 SLAB DETAILS

STD. NO. BAS4

REVISIONS					
NO.	BY:	DATE:	NO.	BY:	DATE:
1			3		
2			4		

SHEET NO. S-78  
SHEETS 78

KCI ASSOCIATES OF NC, P.A.  
 9741 SOUTHERN PINE BLVD  
 SUITE J  
 CHARLOTTE, NC 28273  
 704-499-9452  
 NC LICENSE No. C-0764

NORTH CAROLINA  
 PROFESSIONAL  
 SEAL  
 032954  
 ENGINEER  
 JARED C. MEDLIN

Jared C. Medlin 2/19/2015

DJD  
 DRAWN BY : R. C. LARSON DATE : 10/15/14  
 CHECKED BY : E.C. DECOLA DATE : 10/20/14