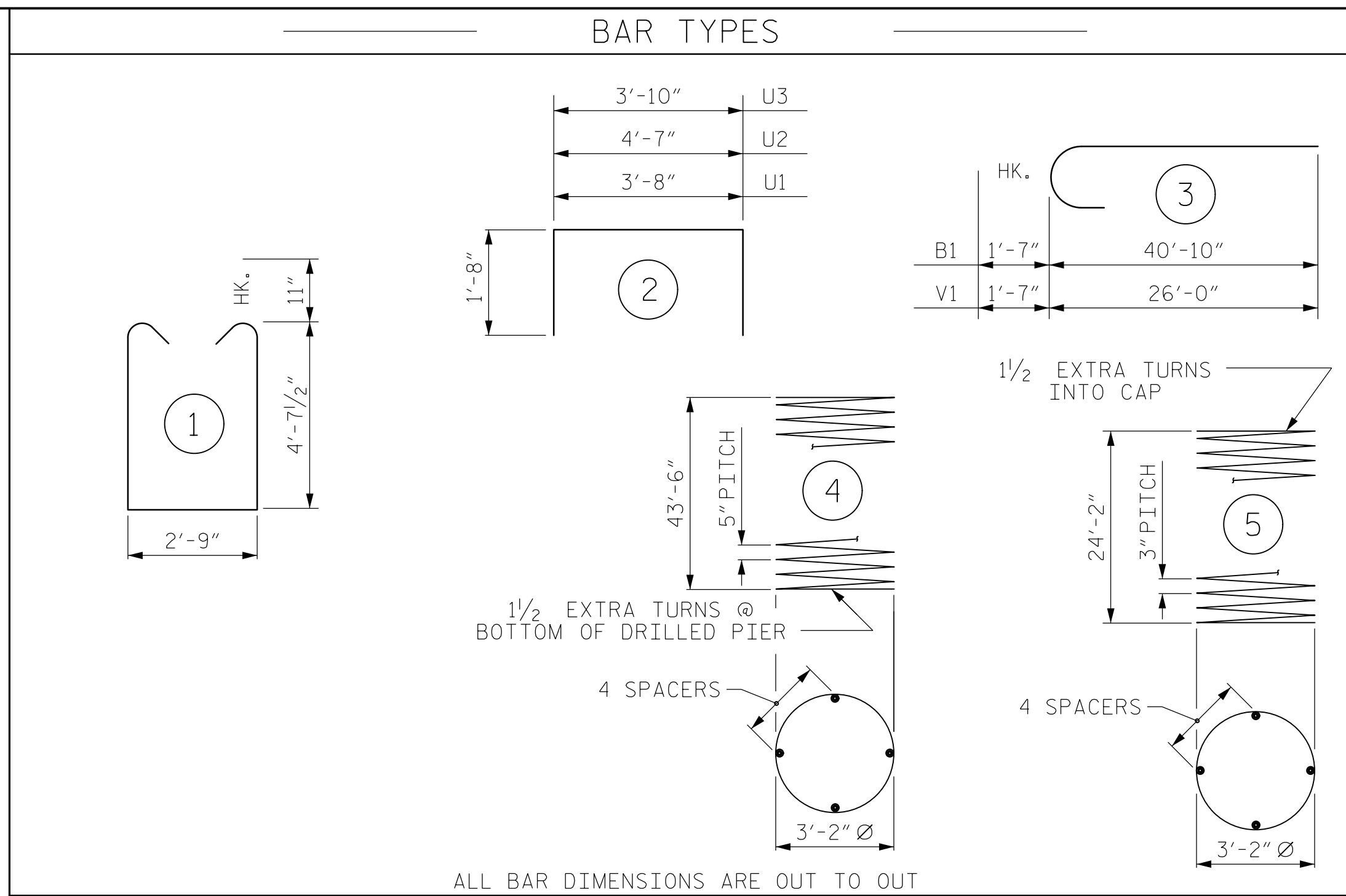
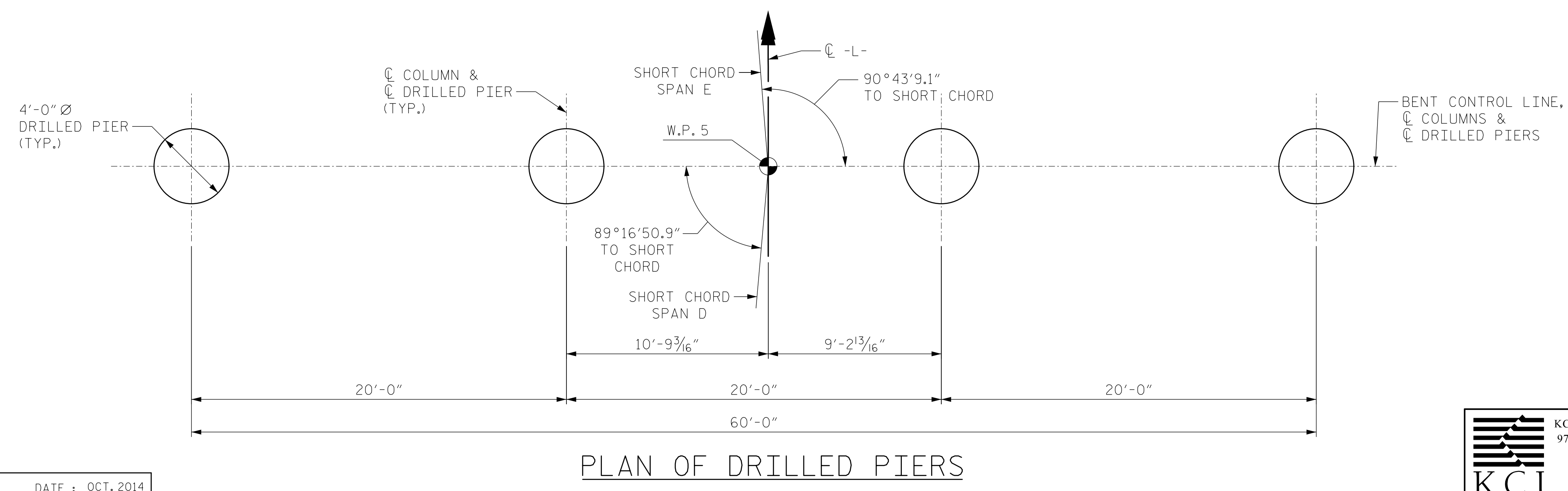
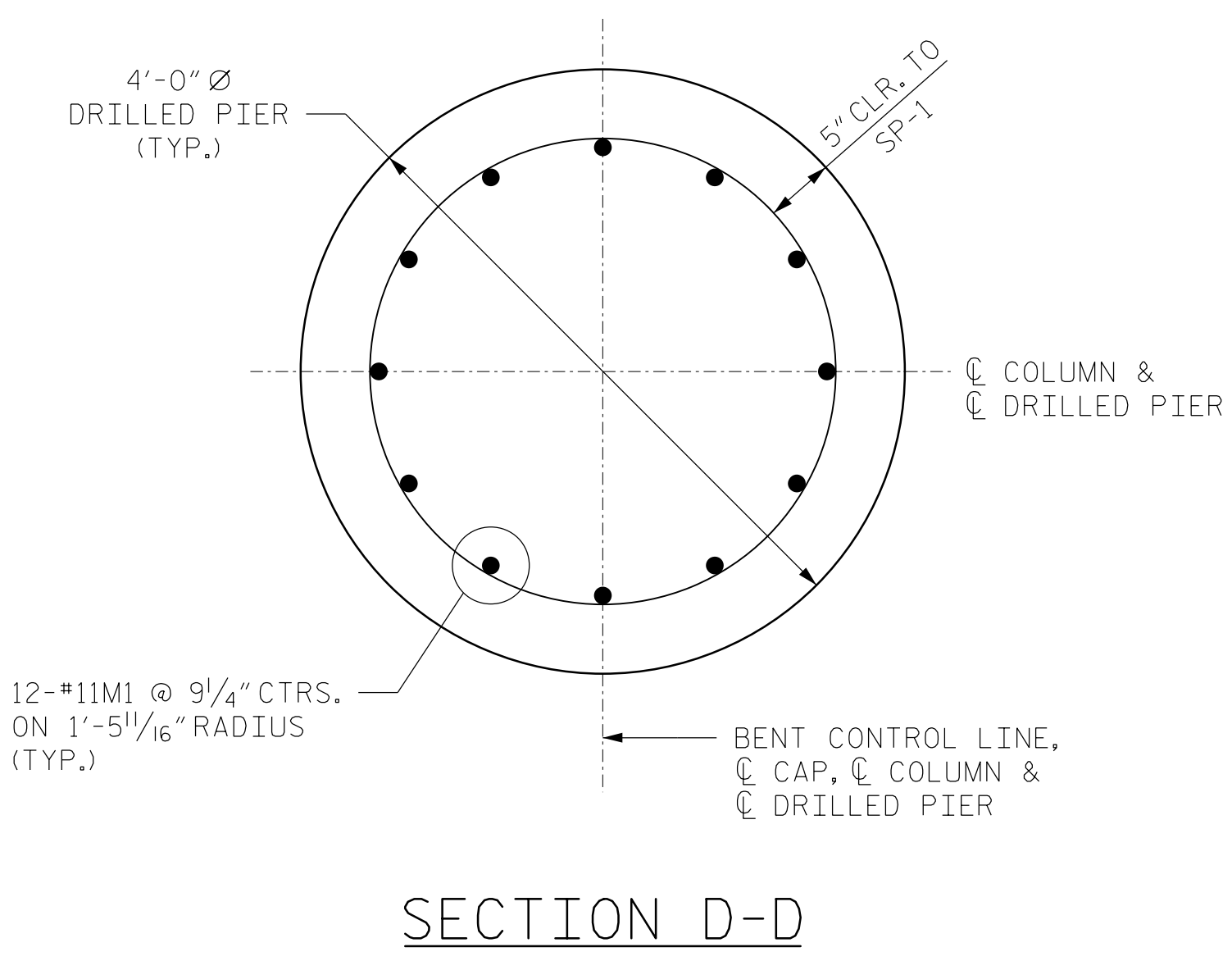
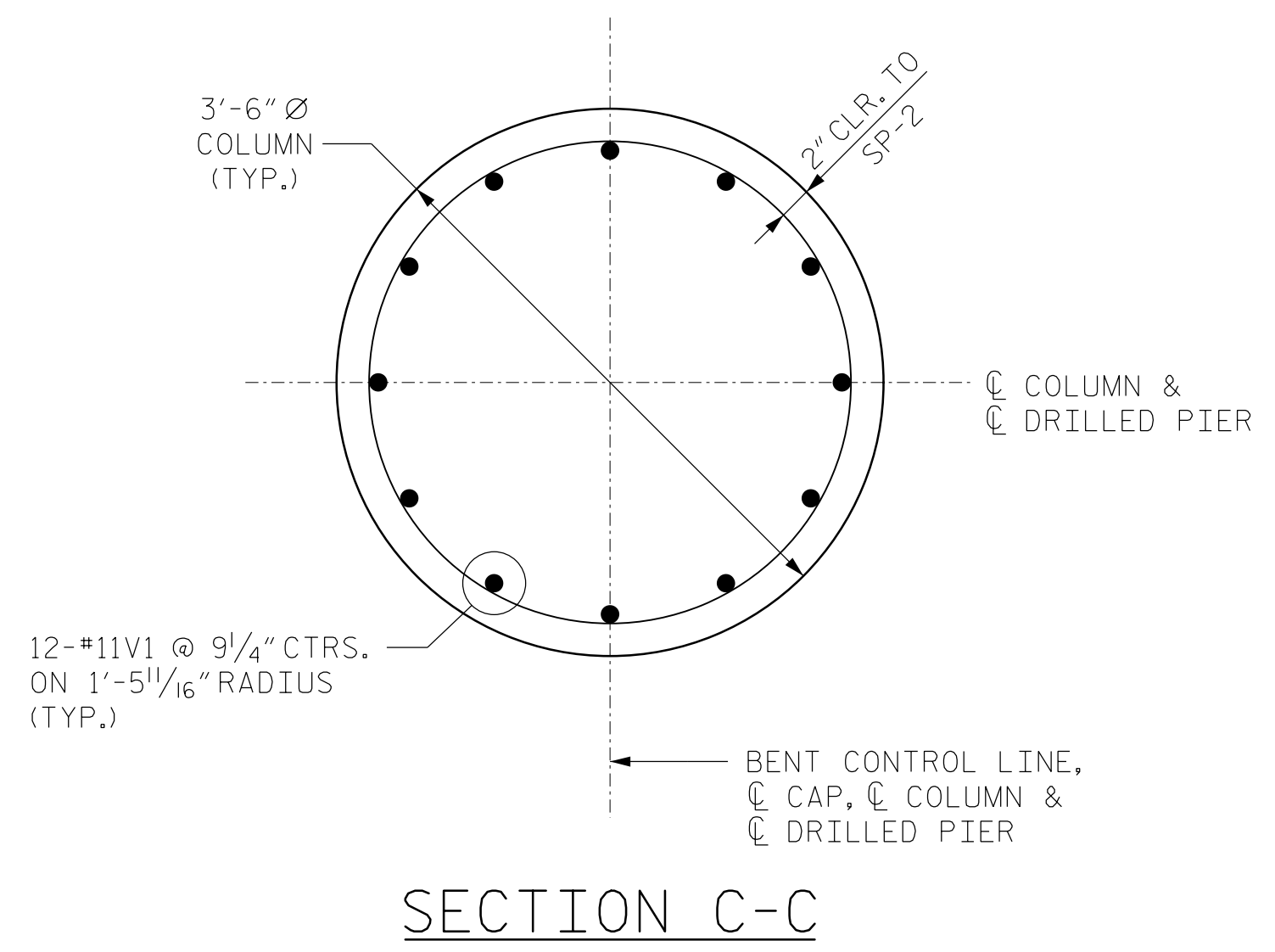


0400DEL_P30



BILL OF MATERIAL FOR ONE BENT					
BAR	NO.	SIZE	TYPE	LENGTH	WEIGHT
B1	16	#11	3	42'-5"	3,606
B2	16	#11	STR	38'-11"	3,308
B3	16	#5	STR	35'-6"	592
B4	8	#5	STR	31'-5"	262
M1	48	#11	STR	54'-4"	13,856
S1	182	#6	1	13'-10"	3,782
U1	10	#4	2	7'-0"	47
U2	8	#4	2	7'-11"	42
U3	73	#4	2	7'-2"	349
V1	48	#11	3	27'-7"	7,034
REINFORCING STEEL (FOR ONE BENT)					32,878 LBS.
SP-1	4	*	4	1054'-6"	4,399
SP-2	4	**	5	970'-3"	2,593
SPIRAL COLUMN REINFORCING STEEL (FOR ONE BENT)					6,992 LBS.
* THE SP-1 SPIRAL REINFORCING STEEL SHALL BE W31 OR D-31 COLD DRAWN WIRE OR #5 PLAIN OR DEFORMED BAR					
** THE SP-2 SPIRAL REINFORCING STEEL SHALL BE W20 OR D-20 COLD DRAWN WIRE OR #4 PLAIN OR DEFORMED BAR					
CLASS A CONCRETE BREAKDOWN (FOR ONE BENT)					
POUR #2 (COLUMNS)					34.1 C.Y.
POUR #3 (CAP)					55.6 C.Y.
TOTAL CLASS A CONCRETE					89.7 C.Y.
DRILLED PIERS: (FOR ONE BENT)					
DRILLED PIER CONCRETE					
POUR #1 (DRILLED PIERS)					81.9 C.Y.
4'-0" Ø DRILLED PIER NOT IN SOIL					68 LIN. FT.
4'-0" Ø DRILLED PIER IN SOIL					108 LIN. FT.
CSL TUBES					728 LIN. FT.

PROJECT NO. U-5008
MECKLENBURG COUNTY
 STATION: 20+45.05 -L- P.O.T. = 14+54.24 -Y4- P.O.T.
 SHEET 3 OF 3

STATE OF NORTH CAROLINA
 DEPARTMENT OF TRANSPORTATION
 RALEIGH

**BENT 4
 DETAILS**

REVISIONS					
NO.	BY:	DATE:	NO.	BY:	DATE:
1			3		
2			4		

SHEET NO. S-66
 SHEETS 78

KCI ASSOCIATES OF NC, P.A.
 9741 SOUTHERN PINE BLVD
 SUITE J
 CHARLOTTE, NC 28273
 704-499-9452
 NC LICENSE No. C-0764

NORTH CAROLINA
 PROFESSIONAL ENGINEER
 SEAL 032954
 JARED C. MEDLIN
 2/19/2015

DJD
 DRAWN BY: D.L.KEENER DATE: OCT. 2014
 CHECKED BY: J.C.MEDLIN DATE: OCT. 2014

2/18/2015 Y:\D:\ewings\2011 DWGS\NB11-11 Sugar Creek Rd - NCDOT\Structures\RFC\SH66.U-5008.SD.B4-03.dgn