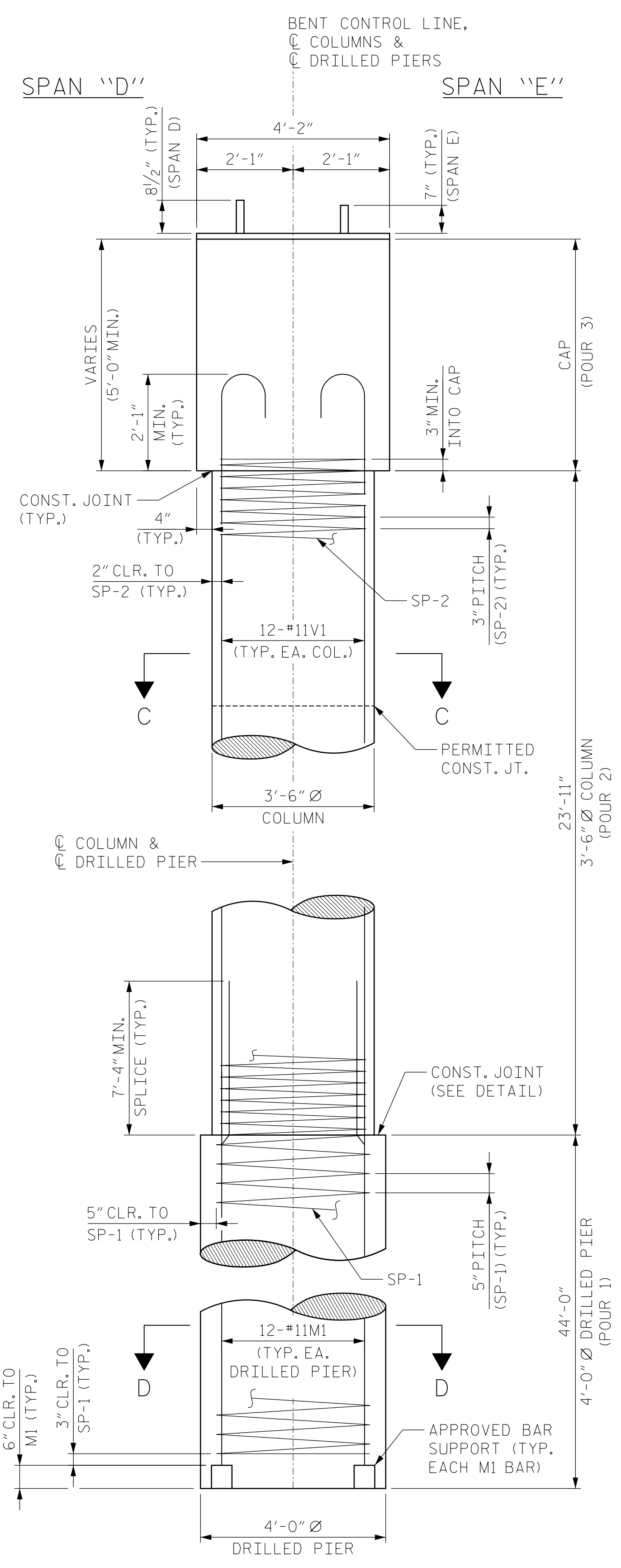
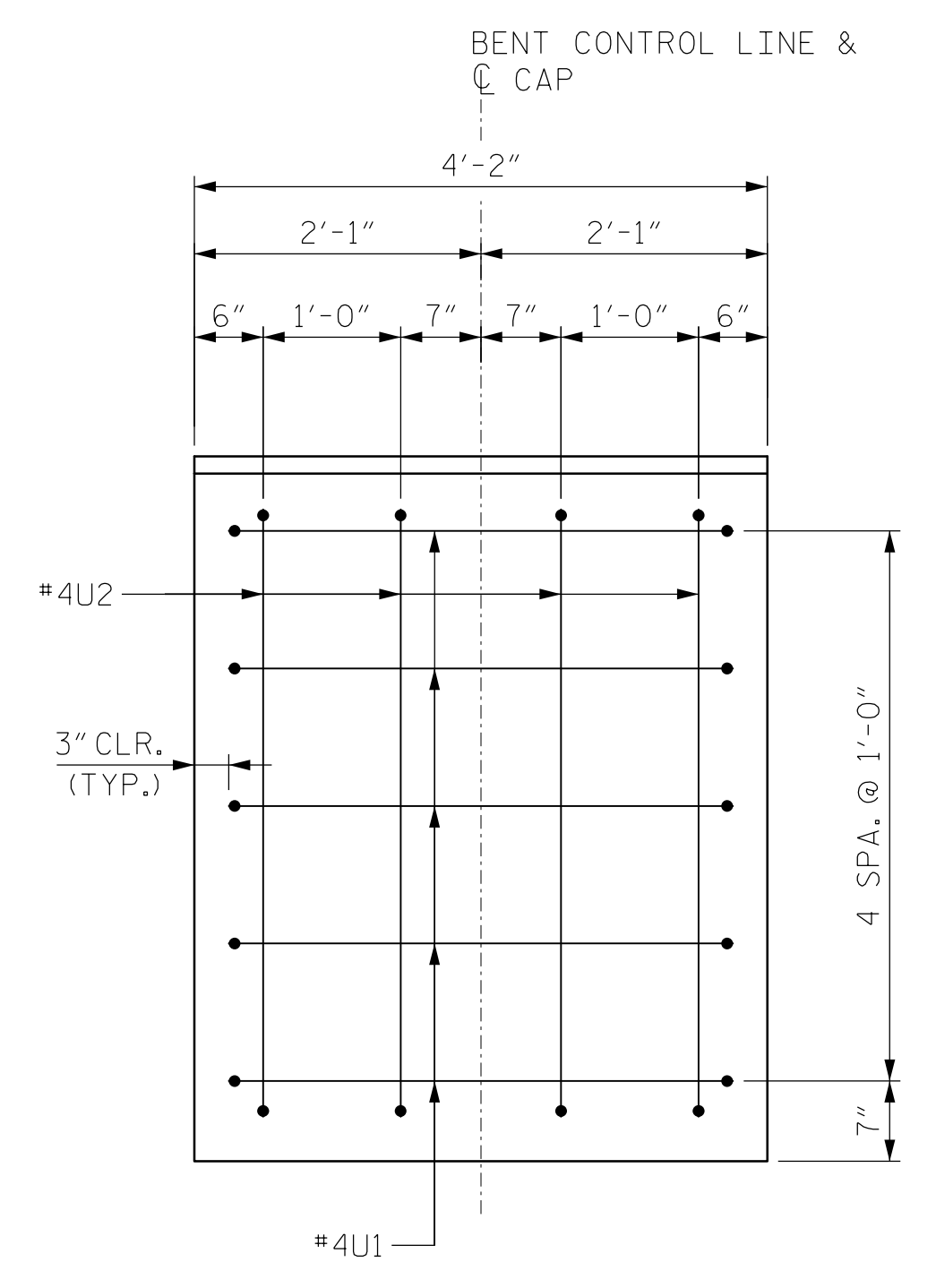


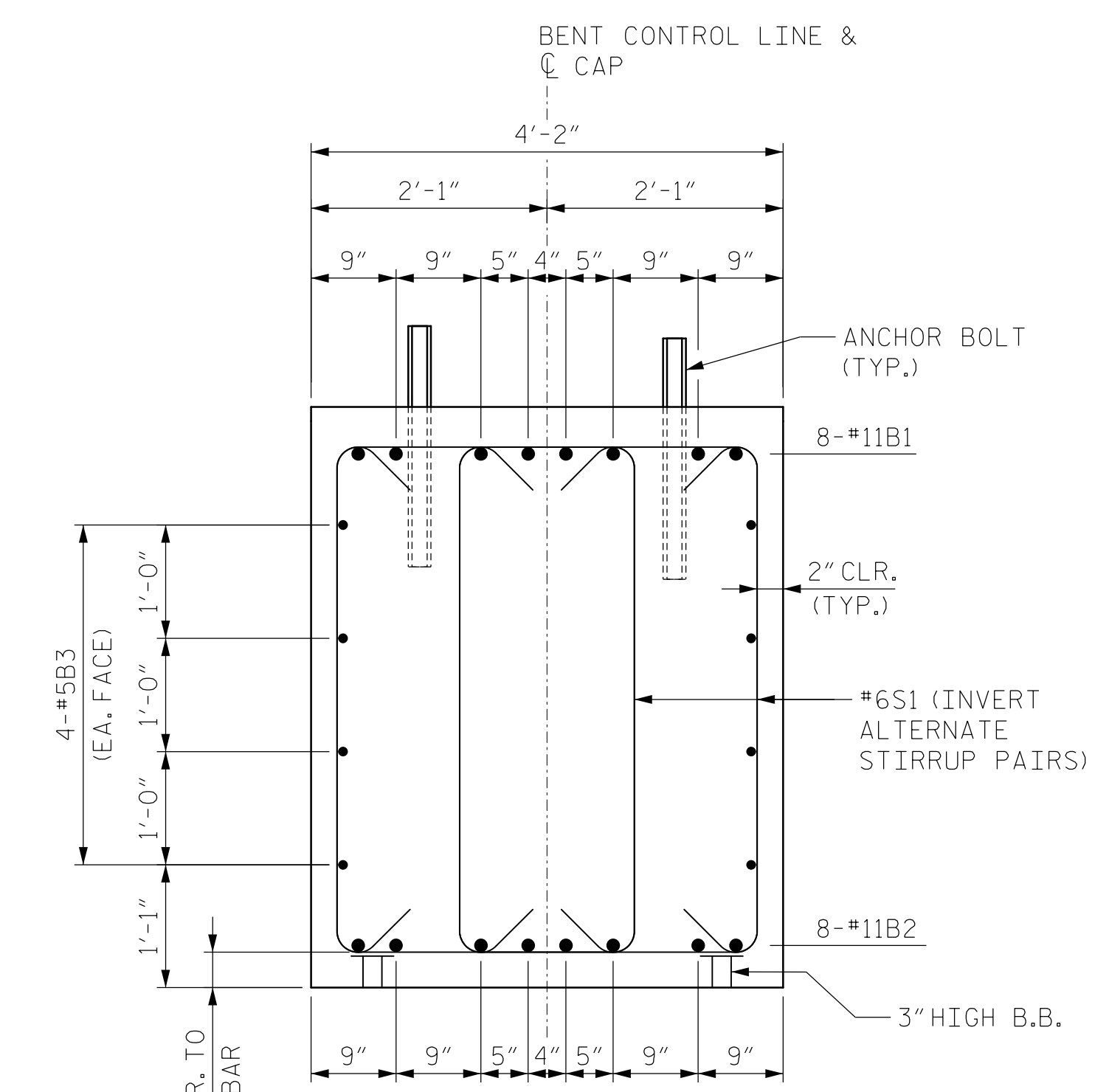
0400DEL_P30



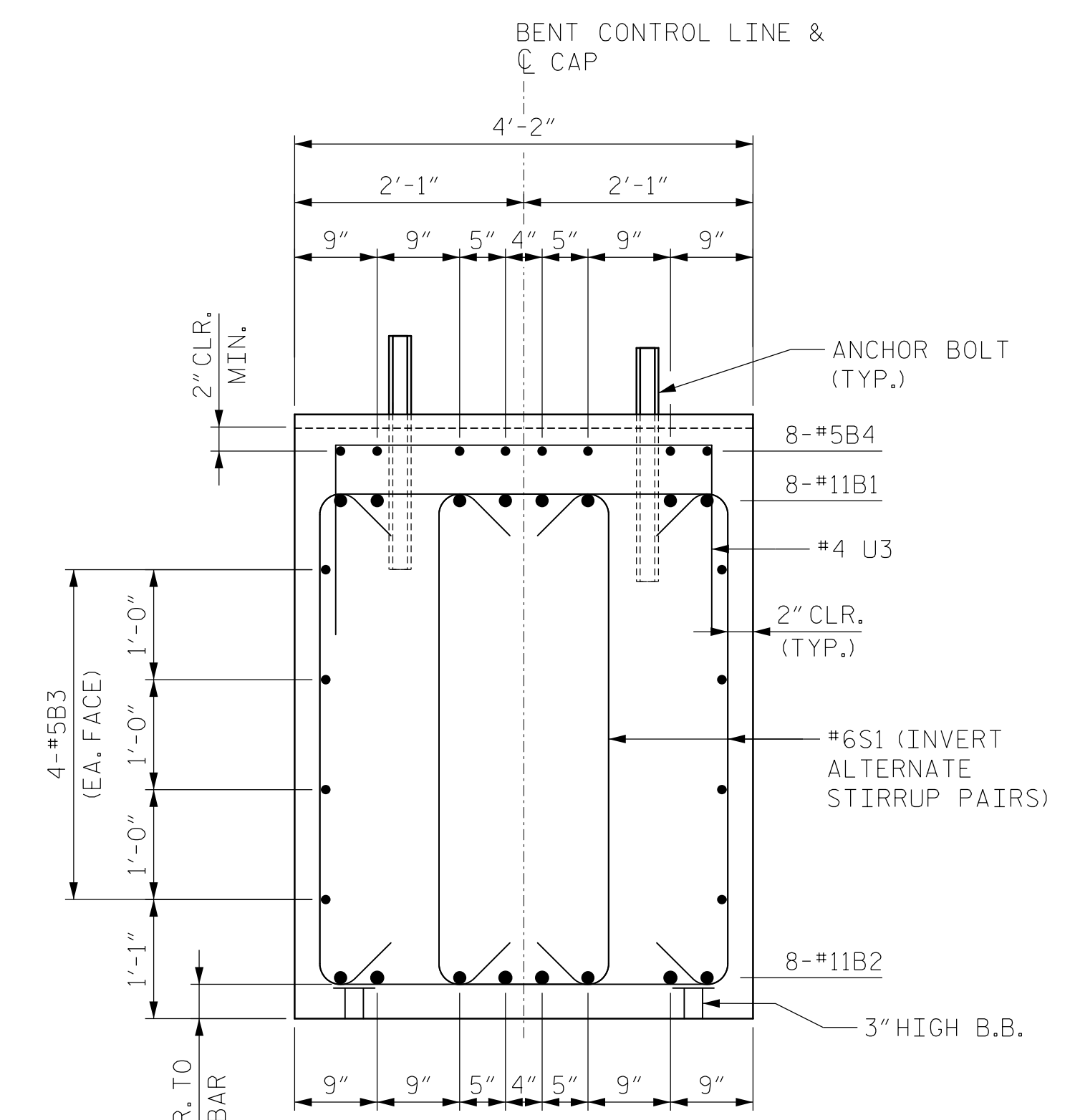
END ELEVATION



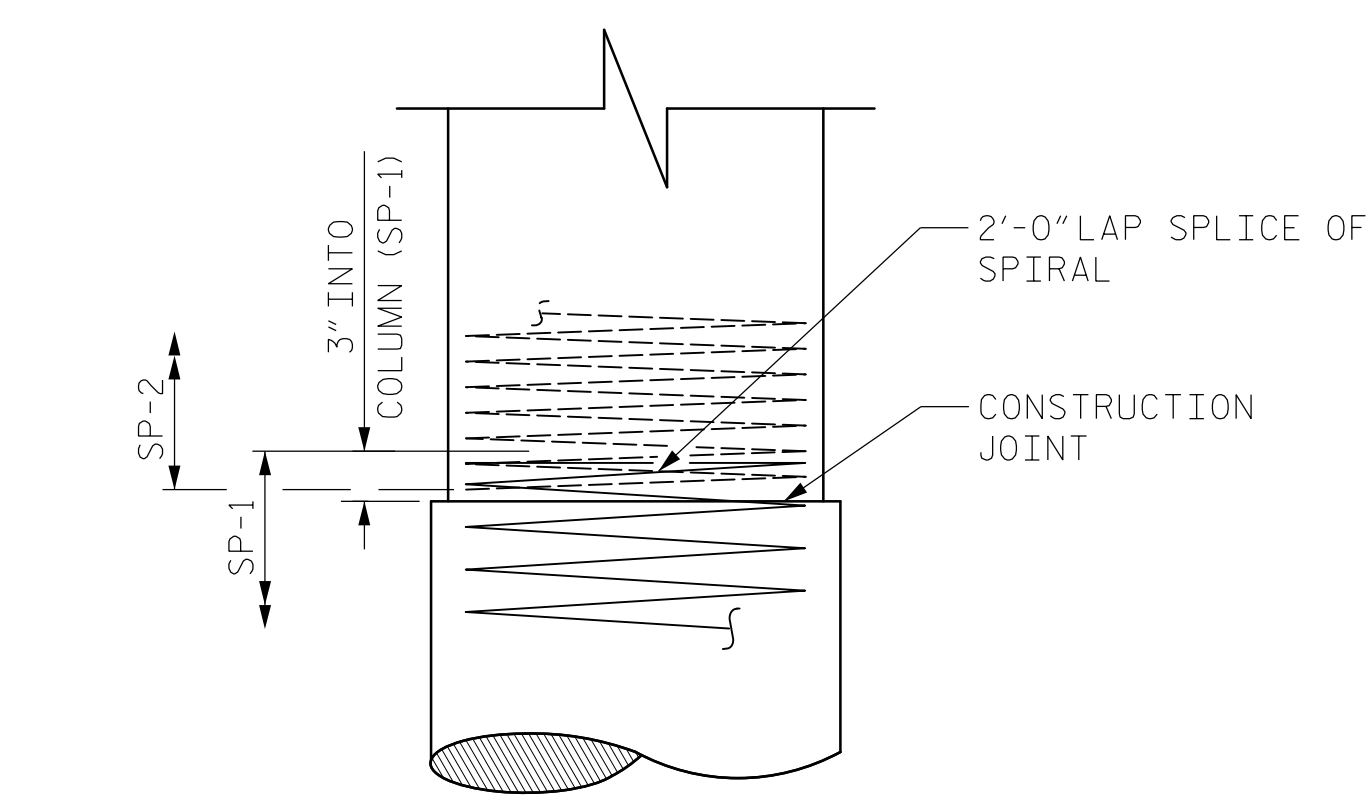
END OF CAP VIEW
(TYP. BOTH ENDS)



SECTION A-A



SECTION B-B



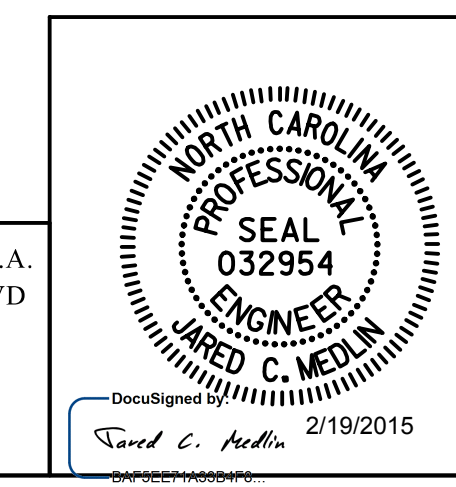
CONSTRUCTION JOINT DETAIL

PROJECT NO. U-5008
MECKLENBURG COUNTY
 STATION: 20+45.05 -L- P.O.T. =
14+54.24 -Y4- P.O.T.
 SHEET 2 OF 3

STATE OF NORTH CAROLINA
 DEPARTMENT OF TRANSPORTATION
 RALEIGH

BENT 4 DETAILS

REVISIONS						SHEET NO.
NO.	BY:	DATE:	NO.	BY:	DATE:	S-65
1			3			SHEETS 78
2			4			



KCI ASSOCIATES OF NC, P.A.
 9741 SOUTHERN PINE BLVD
 SUITE J
 CHARLOTTE, NC 28273
 704-499-9452
 NC LICENSE No. C-0764

2/18/2015 1:10:07 PM C:\Users\jmedlin\Documents\Projects\U-5008\SD_B4-02.dgn
 2/18/2015 1:10:07 PM C:\Users\jmedlin\Documents\Projects\U-5008\SD_B4-02.dgn

DRAWN BY: D.L.KEENER DATE: OCT. 2014
 CHECKED BY: J.C.MEDLIN DATE: OCT. 2014