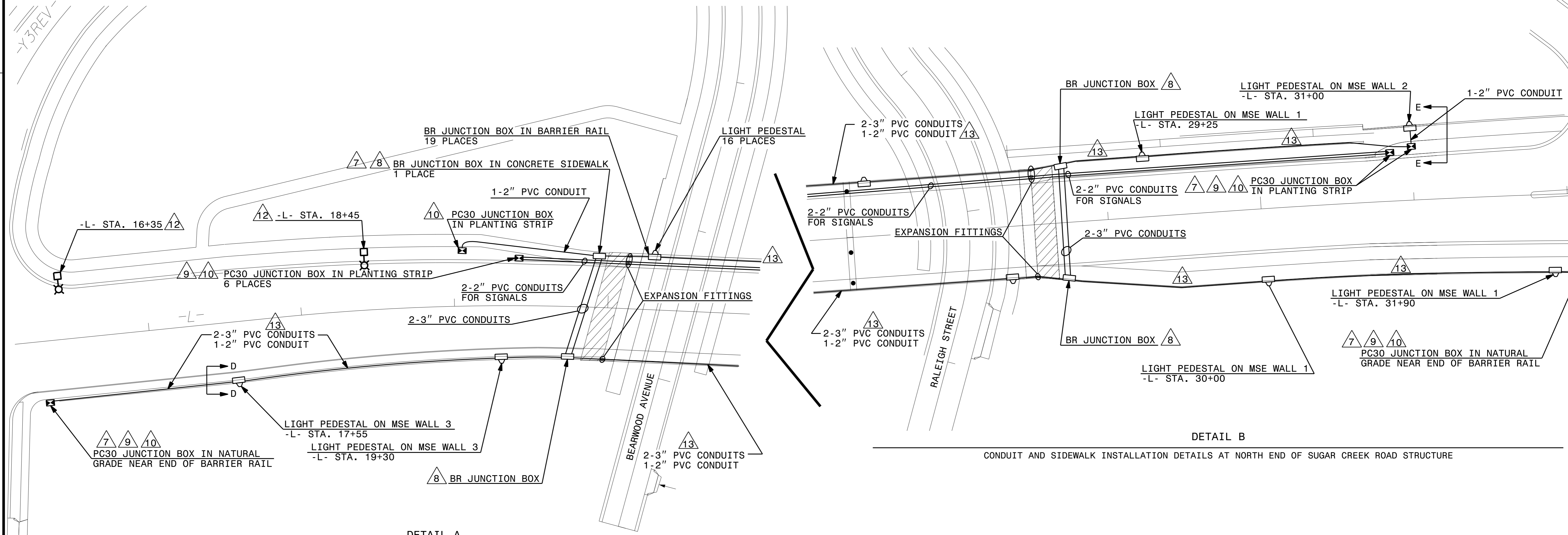


USE FOR LIGHTING CONSTRUCTION ONLY

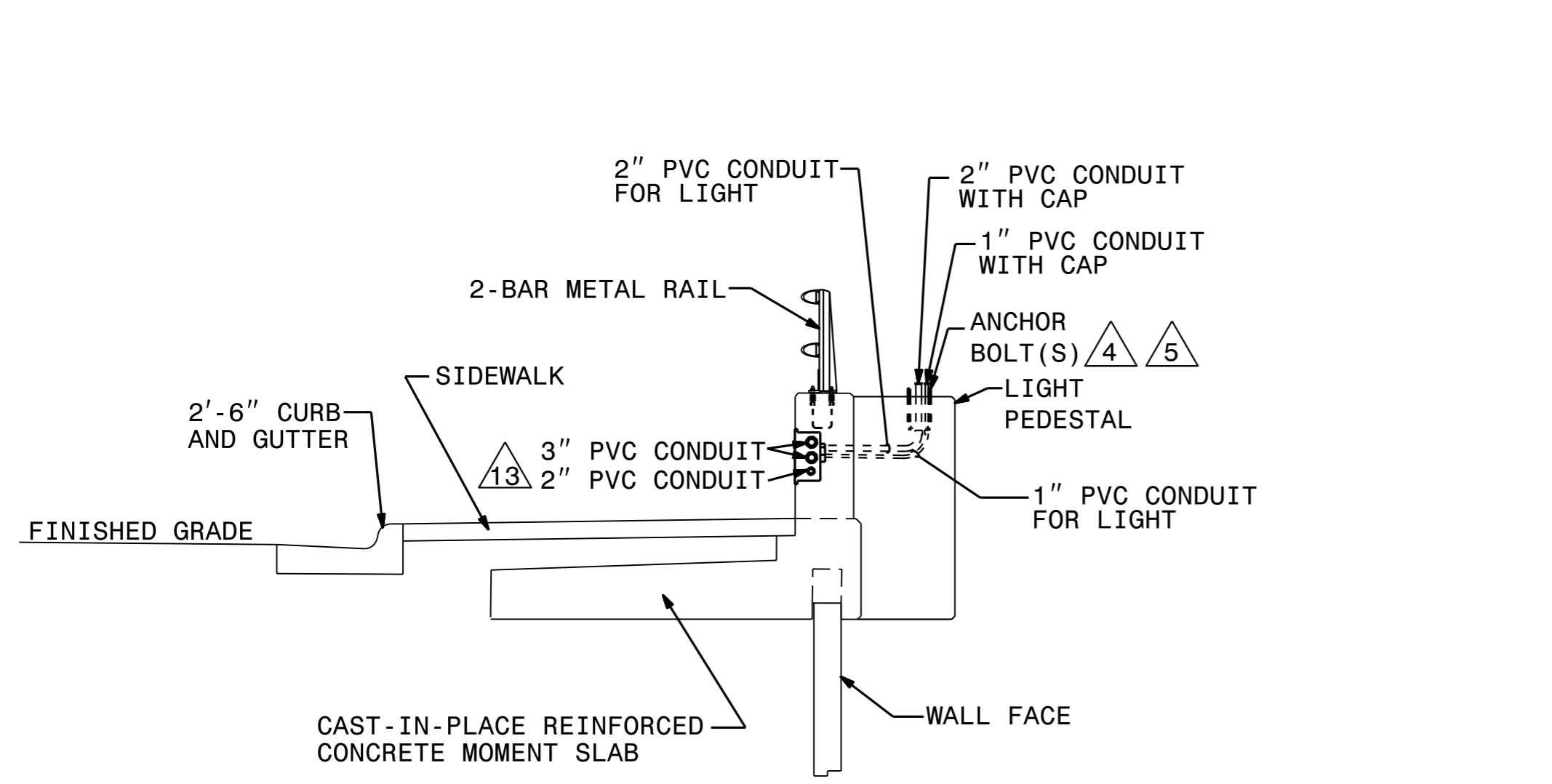
DCM
0400DEL_P30

-Y3REV-

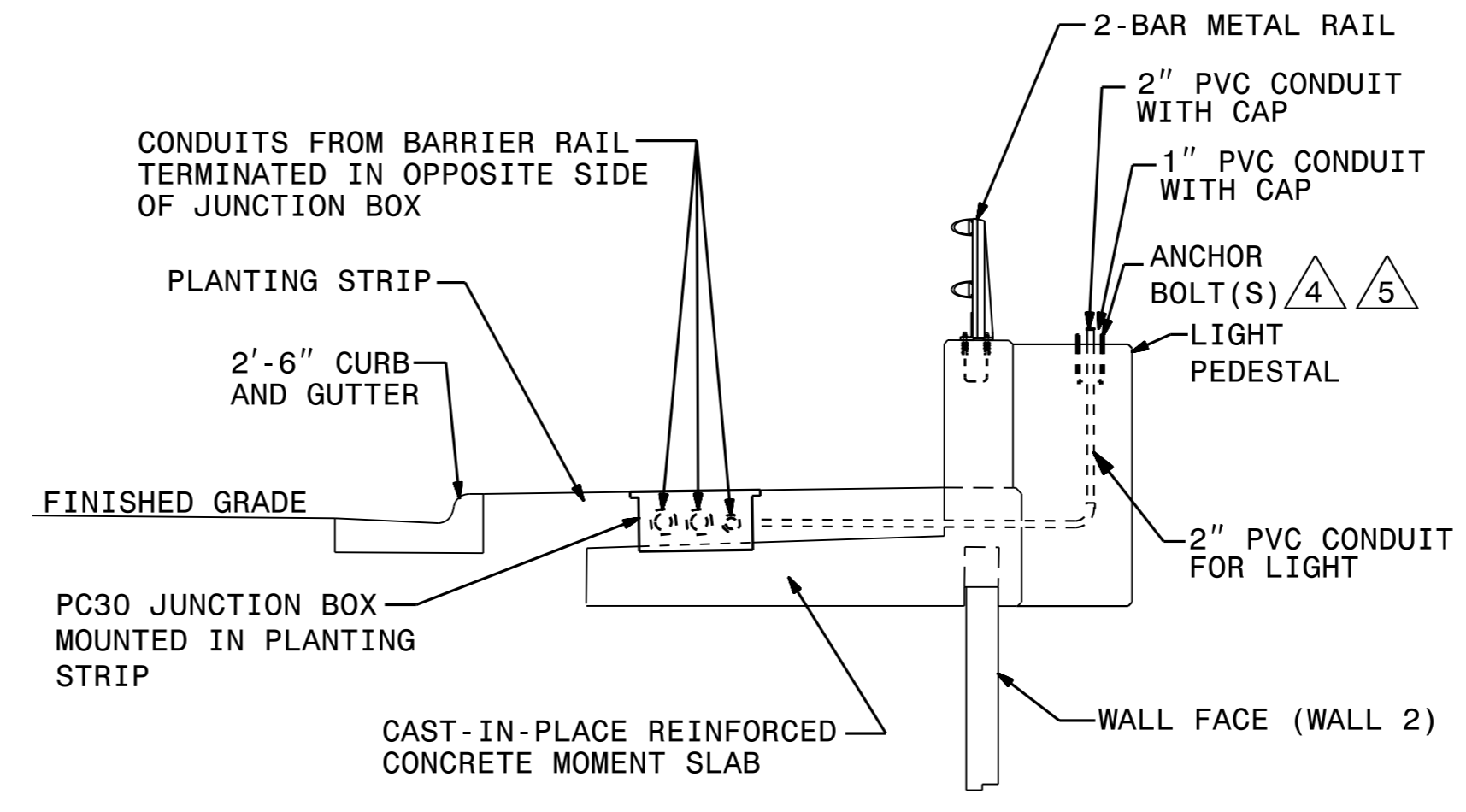


DETAIL A
CONDUIT AND SIDEWALK INSTALLATION DETAILS AT SOUTH END OF SUGAR CREEK ROAD STRUCTURE

DETAIL B
CONDUIT AND SIDEWALK INSTALLATION DETAILS AT NORTH END OF SUGAR CREEK ROAD STRUCTURE



VIEW D-D
LIGHT PEDESTAL INSTALLED IN PARAPET OFF STRUCTURE OVER MSE WALLS 1 & 3

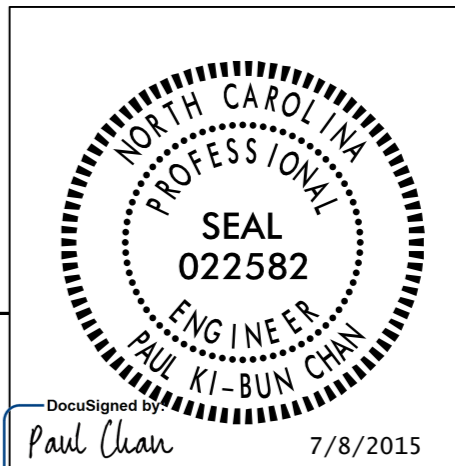


VIEW E-E
LIGHT PEDESTAL INSTALLED IN PARAPET OFF STRUCTURE OVER MSE WALL 2

PROJECT NO. U-5008
MECKLENBURG COUNTY
STATION: 20+45.05 -L-

SHEET 2 OF 3
STATE OF NORTH CAROLINA
DEPARTMENT OF TRANSPORTATION
RALEIGH
ELECTRICAL CONDUIT SYSTEM

BRIDGE ON SUGAR CREEK RD
OVER BEARWOOD AVE., NCRR/NSRR
AND RALEIGH ST.
BTWN US74/NC27 & US29/NC49



SEE PROJECT SPECIAL PROVISIONS TITLED "ELECTRICAL CONDUIT SYSTEM" FOR MATERIALS CONSTRUCTION METHODS AND PAYMENT.

REVISIONS						SHEET NO.	
NO.	BY:	DATE:	NO.	BY:	DATE:	S42B	
1			3			SHEETS	
2			4			78	

08-JUL-2015 10:20 P:\Projects\Local\Lighting Design\U-5008_1e_ECS.dsn_S2.dgn