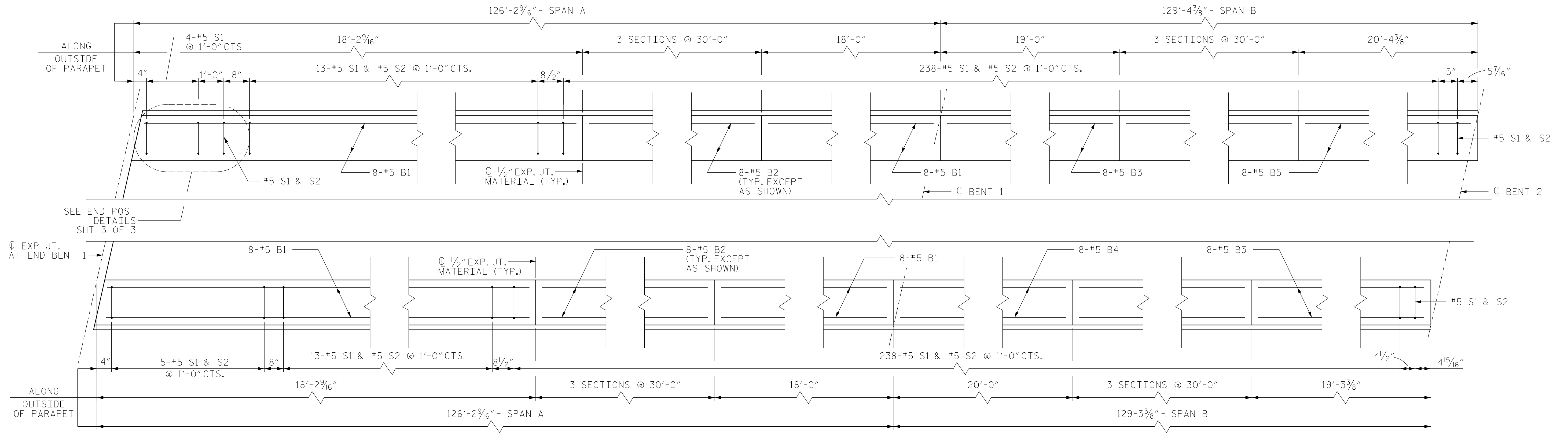
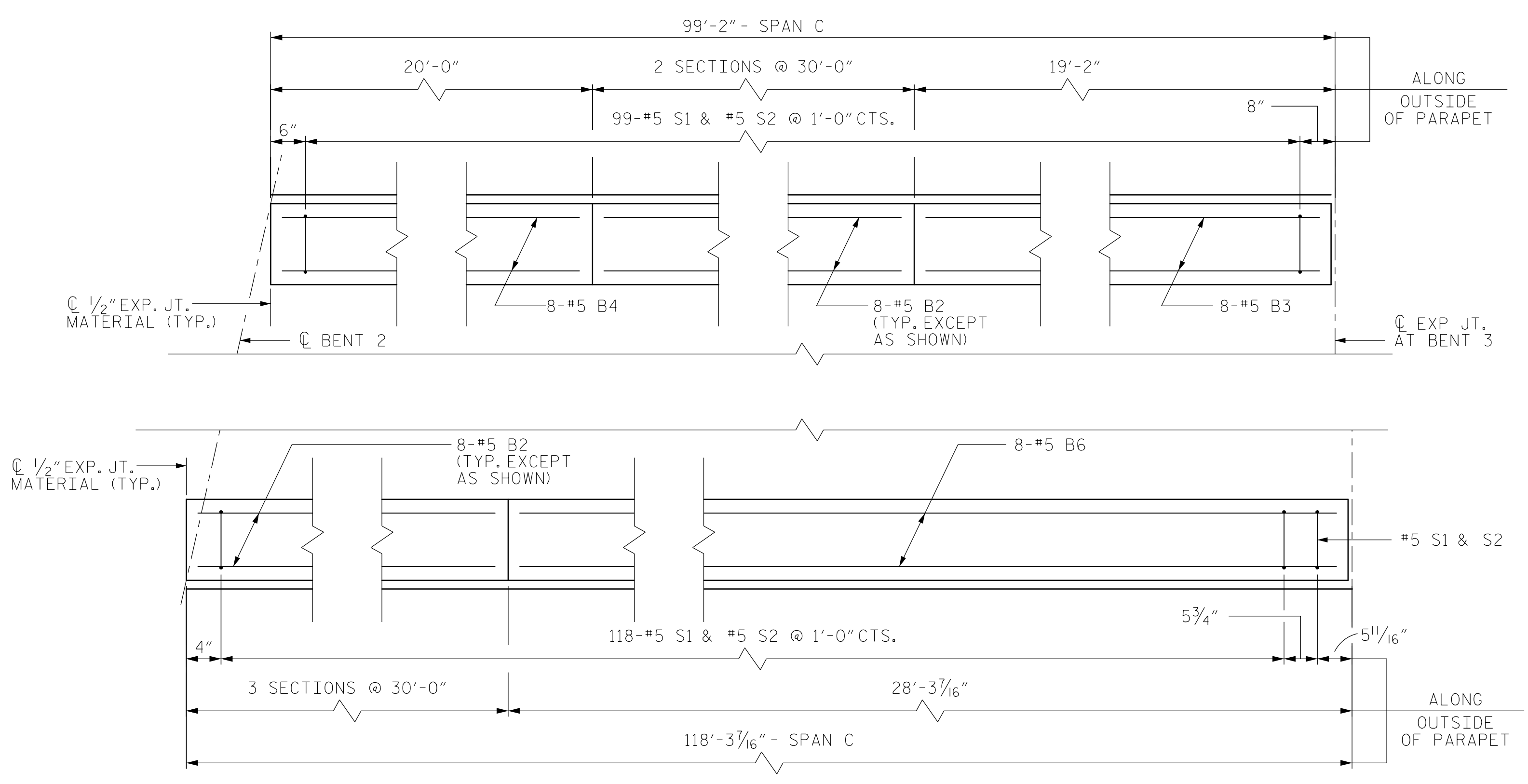


0400DEL_P30



PLAN - SPANS A AND B



PLAN - SPAN C

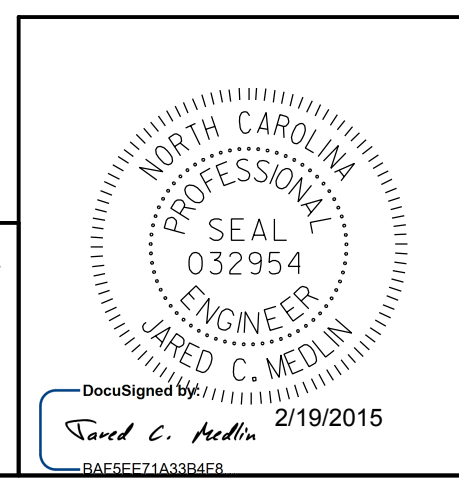
PROJECT NO. U-5008
 MECKLENBURG COUNTY
 STATION: 20+45.05 -L- P.O.T. =
 14+54.24 -Y4- P.O.T.
 SHEET 1 OF 3

STATE OF NORTH CAROLINA
 DEPARTMENT OF TRANSPORTATION
 RALEIGH

CONCRETE PARAPET
 SPANS A-C

REVISIONS					
NO.	BY:	DATE:	NO.	BY:	DATE:
1			3		
2			4		

SHEET NO. S-37
 SHEETS 78



KCI ASSOCIATES OF NC, P.A.
 9741 SOUTHERN PINE BLVD
 SUITE J
 CHARLOTTE, NC 28273
 704-499-9452
 NC LICENSE No. C-0764

2/18/2015 1:10:07 PM C:\Users\jmedlin\Documents\Projects\U-5008\SD_BR_1.dgn

DRAWN BY : K. SU DATE : 07/21/14
 CHECKED BY : R. C. LARSON DATE : 08/05/14