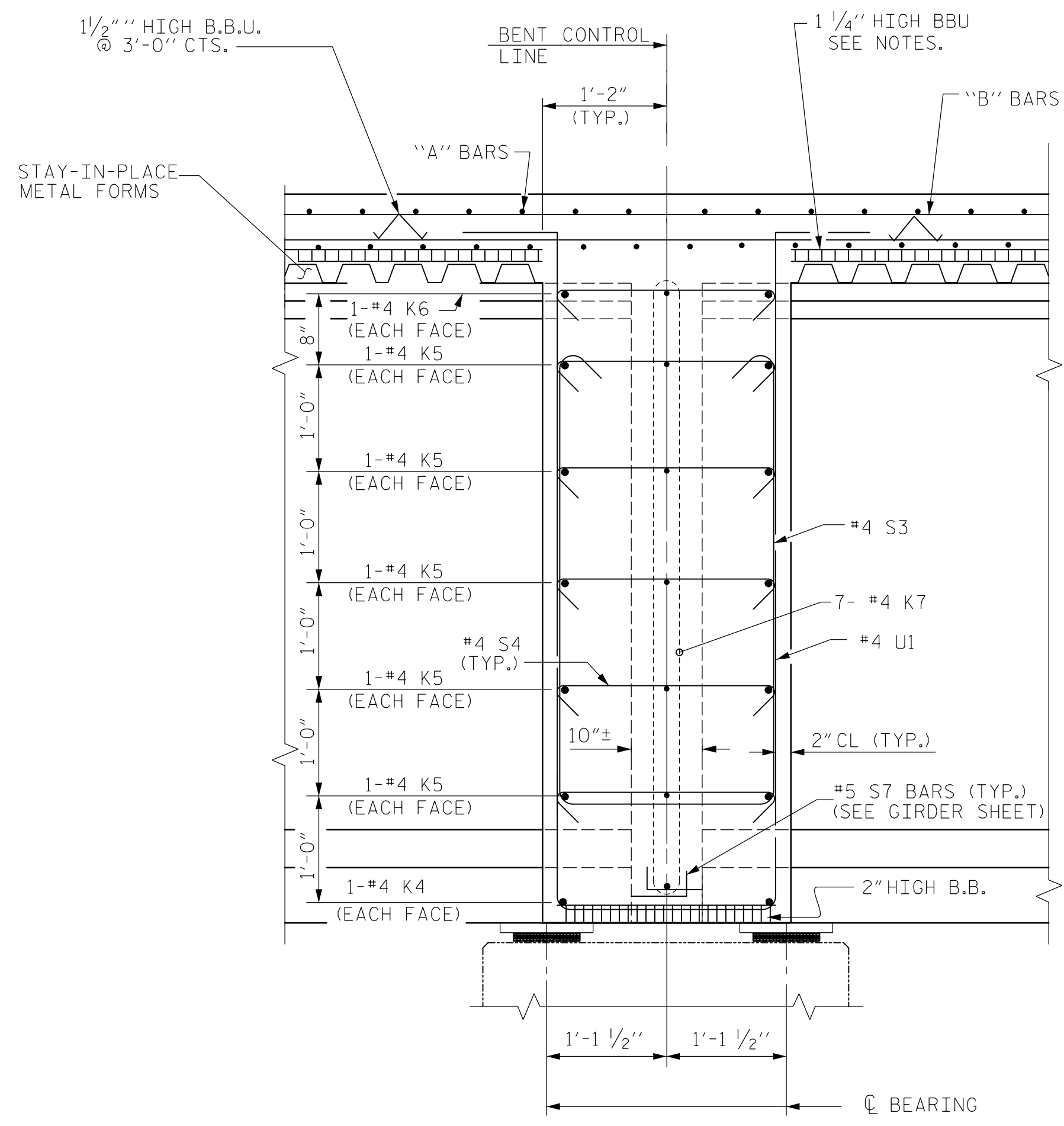
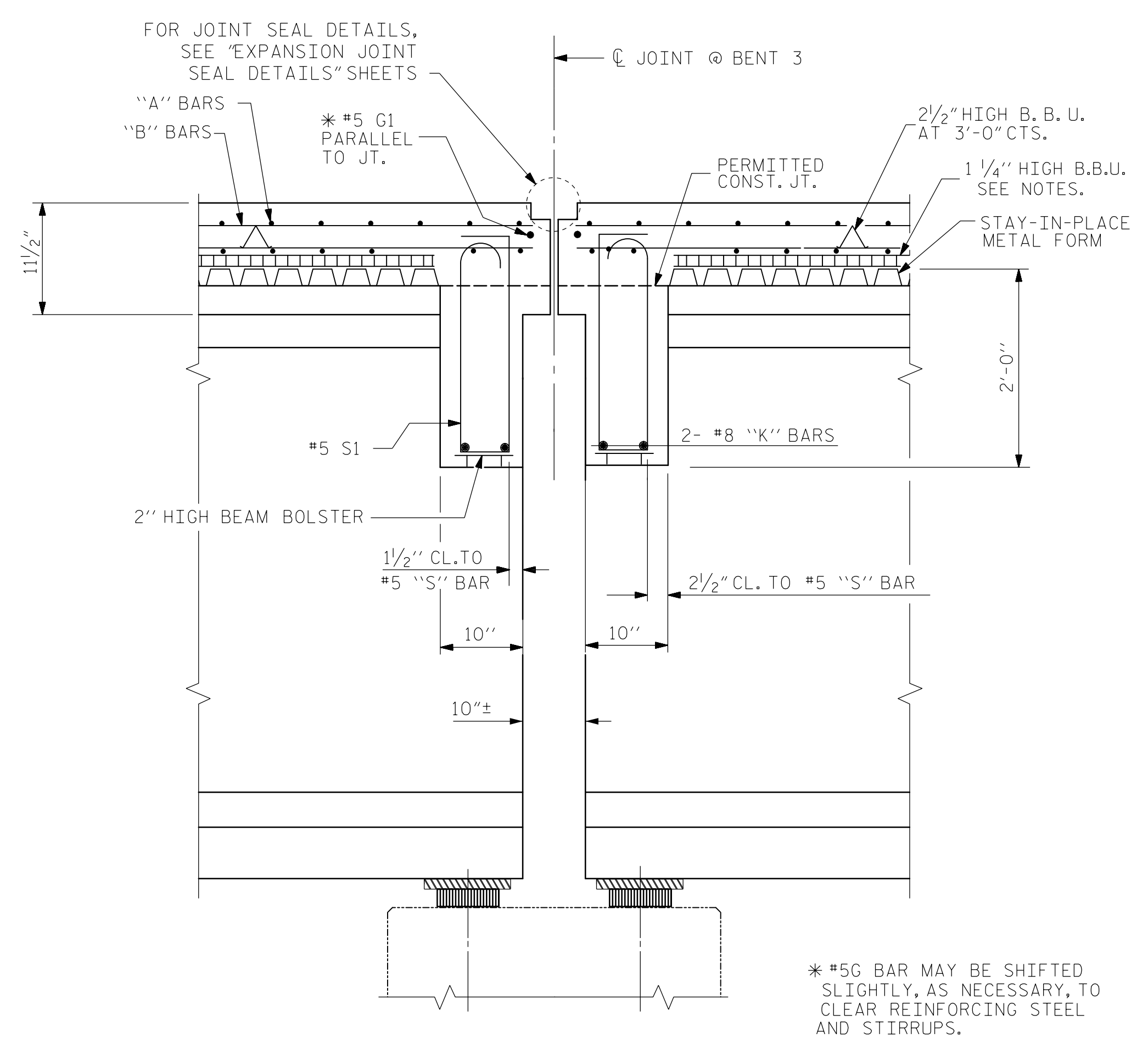


SECTION A-A THRU END BENT 1 DIAPHRAGM

\* #5 G1 MAY BE SHIFTED SLIGHTLY AS NECESSARY TO CLEAR REINFORCING STEEL AND STIRRUPS

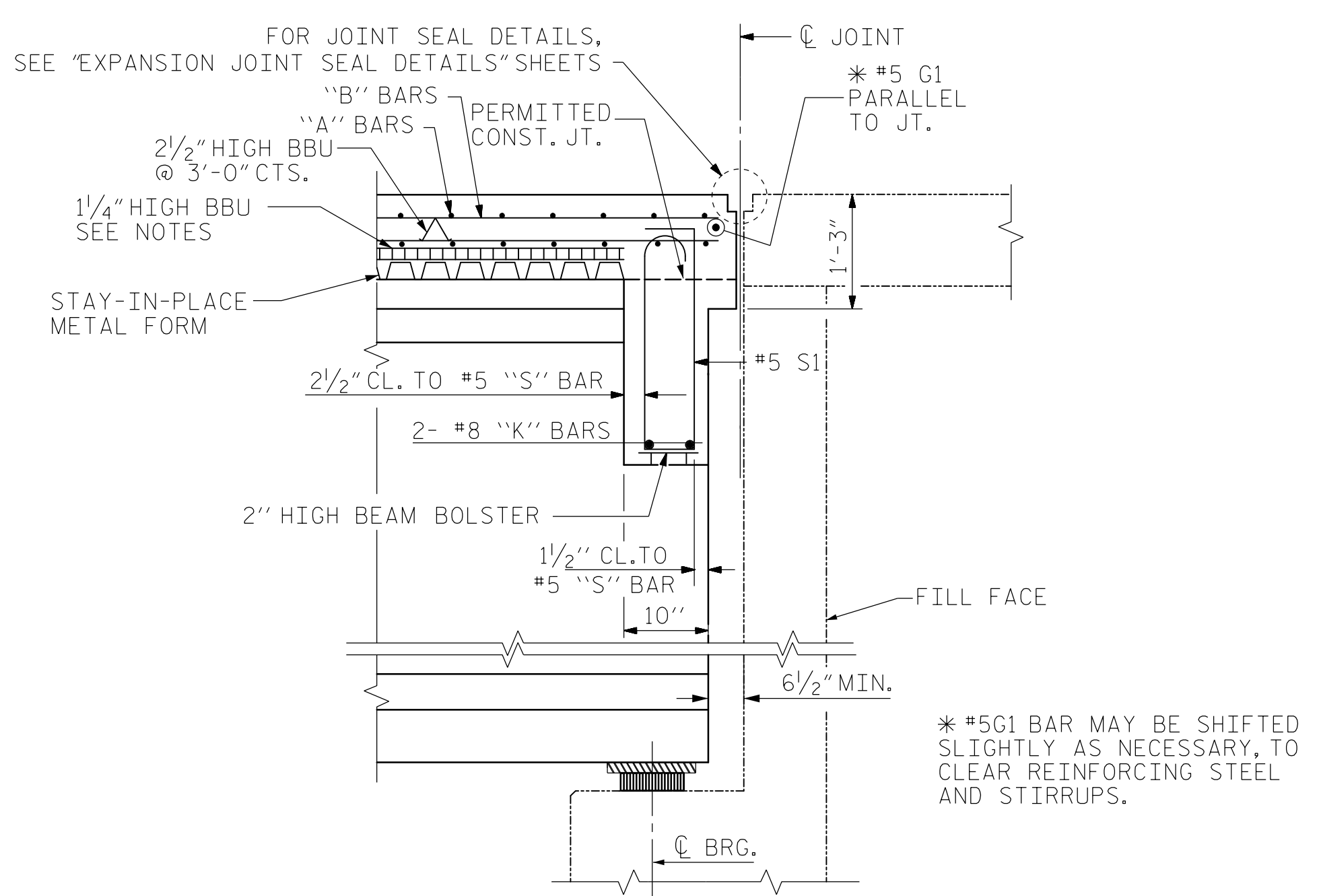


SECTION B-B THRU CONTINUOUS BENT DIAPHRAGM



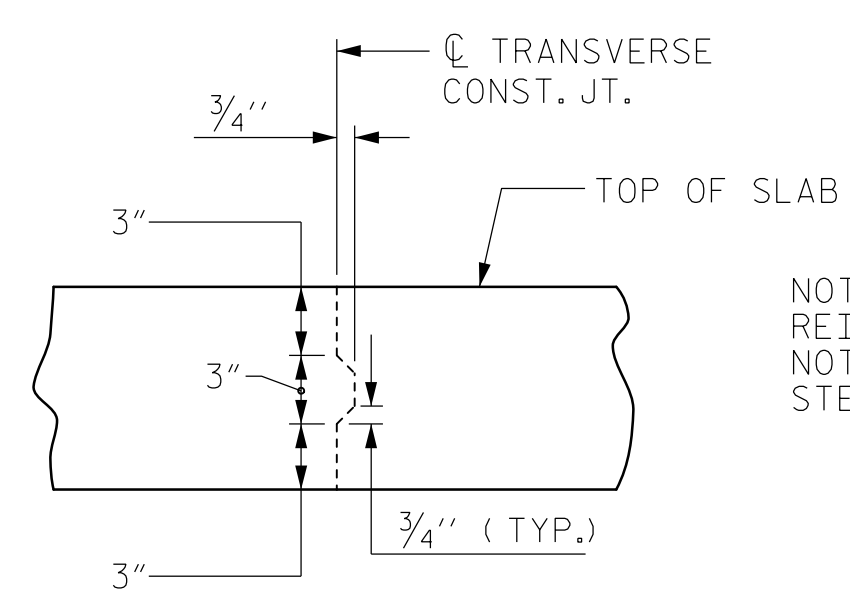
SECTION C-C THRU END DIAPHRAGM (BENT 3)

\* #5 G1 BAR MAY BE SHIFTED SLIGHTLY, AS NECESSARY, TO CLEAR REINFORCING STEEL AND STIRRUPS.



SECTION D-D THRU END BENT 2 DIAPHRAGM

\* #5 G1 BAR MAY BE SHIFTED SLIGHTLY AS NECESSARY, TO CLEAR REINFORCING STEEL AND STIRRUPS.



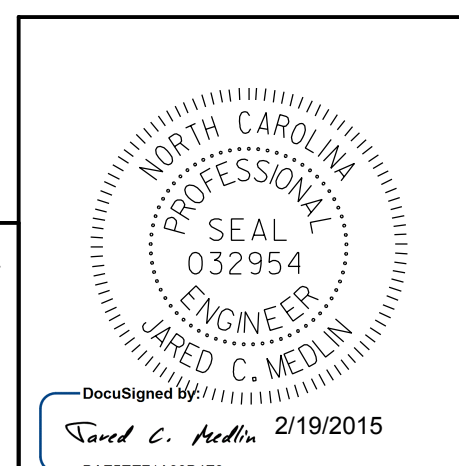
TRANSVERSE CONSTRUCTION JOINT DETAIL

PROJECT NO. U-5008  
MECKLENBURG COUNTY  
 STATION: 20+45.05 -L- P.O.T. =  
14+54.24 -Y4- P.O.T.  
 SHEET 3 OF 3

STATE OF NORTH CAROLINA  
 DEPARTMENT OF TRANSPORTATION  
 RALEIGH  
 SUPERSTRUCTURE  
 TYPICAL SECTION

REVISIONS						SHEET NO.	
NO.	BY:	DATE:	NO.	BY:	DATE:	S-11	
1			3			SHEETS	
2			4			78	

KCI ASSOCIATES OF NC, P.A.  
 9741 SOUTHERN PINE BLVD  
 SUITE J  
 CHARLOTTE, NC 28273  
 704-499-9452  
 NC LICENSE No. C-0764



2/18/2015 Y:\0-owings\2011 DWGS\B11-11 Sugar Creek Rd - NCDOT\Structures\RFC\SH11.U-5008\_SD.TS\_3.dgn

DRAWN BY : R. C. LARSON DATE : 08/12/14  
 CHECKED BY : E. C. DECOLA DATE : 08/15/14