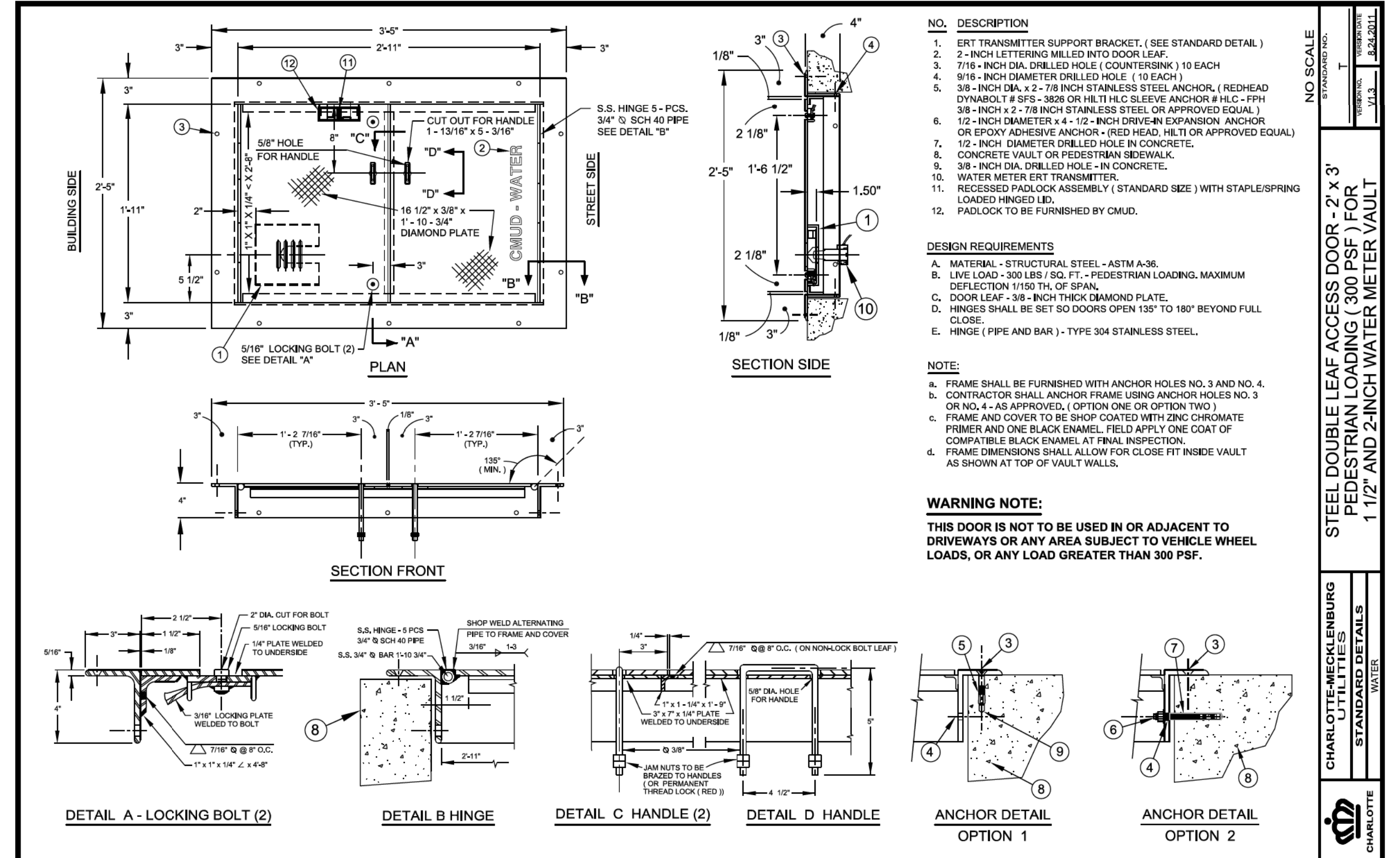
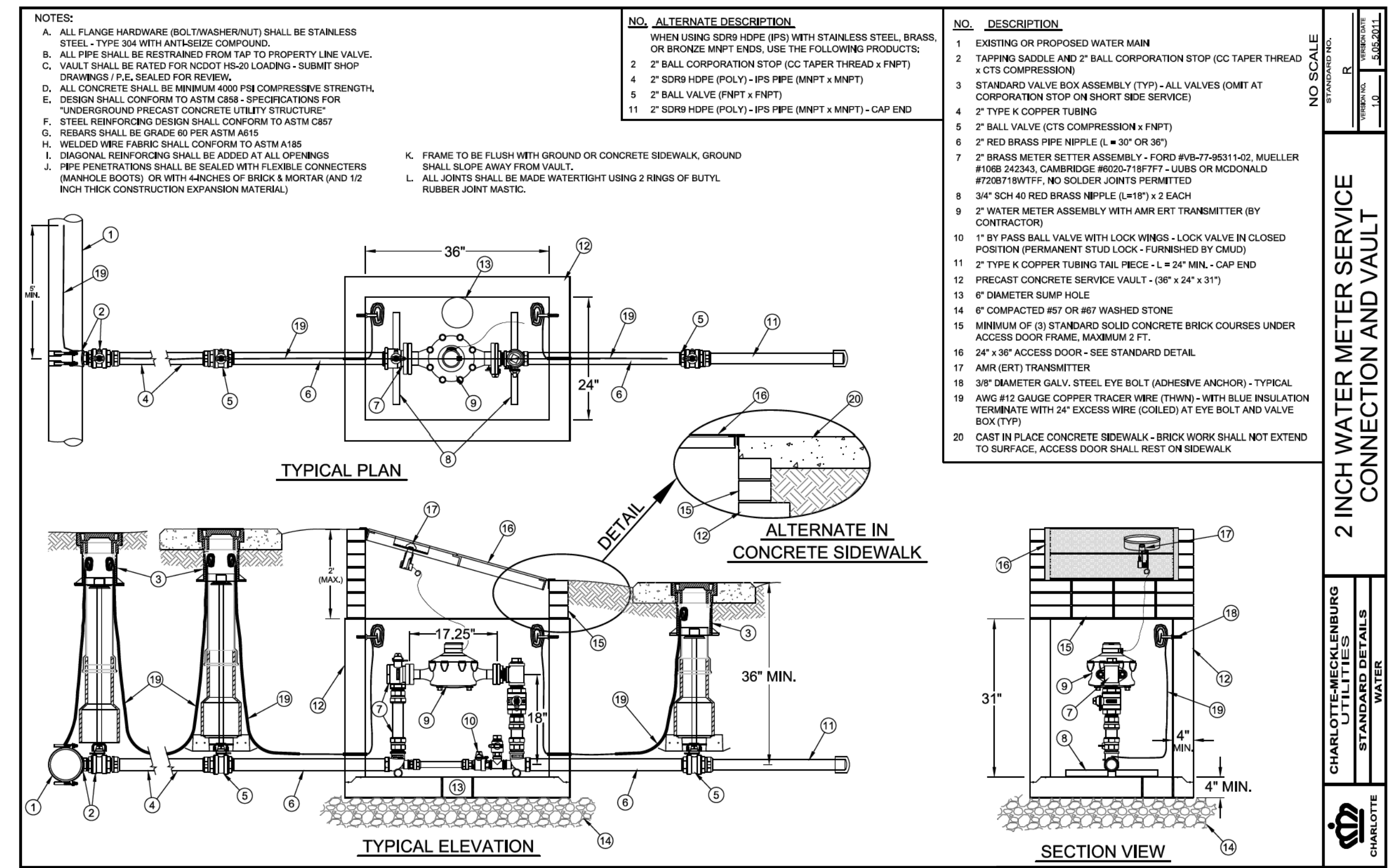
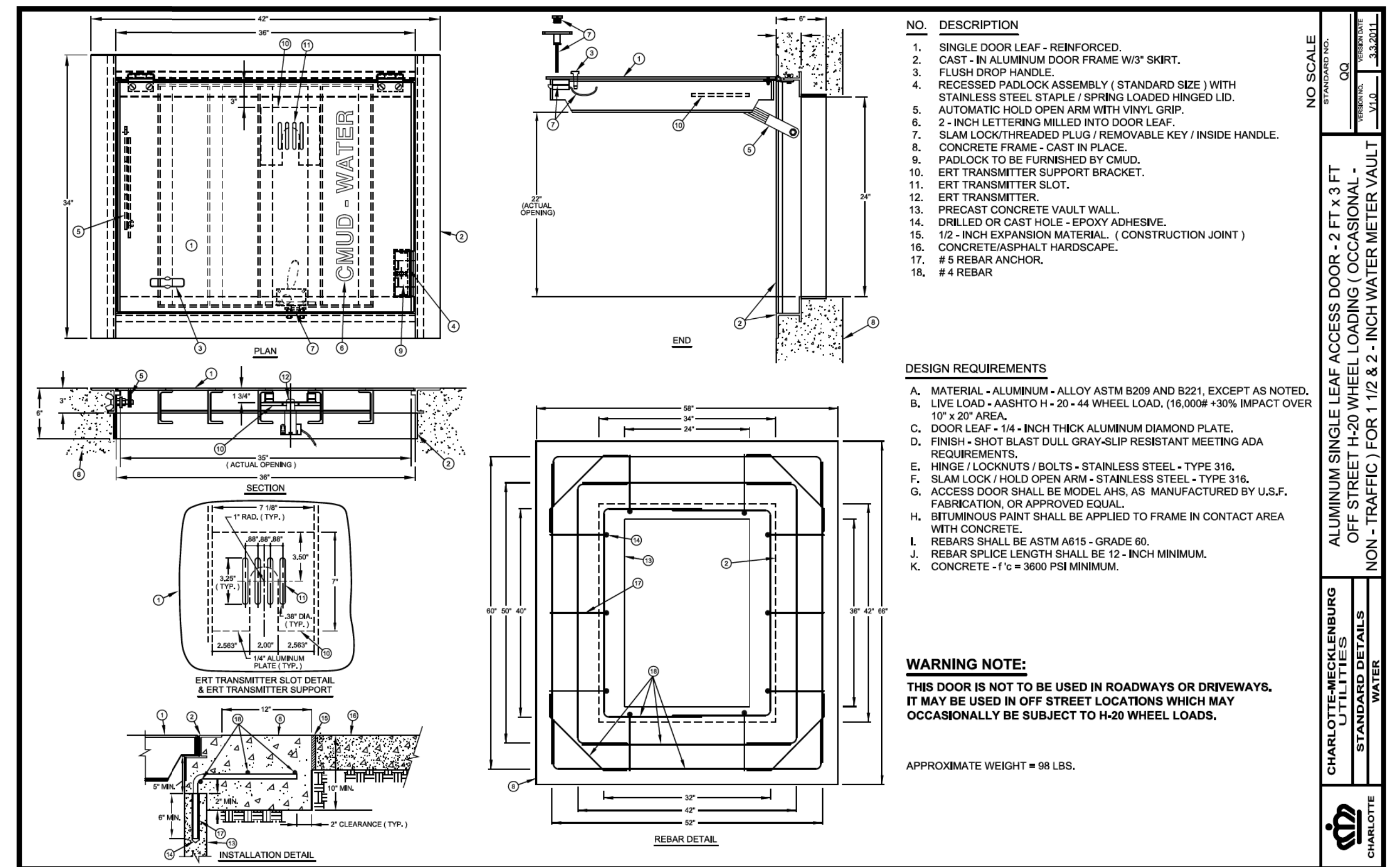
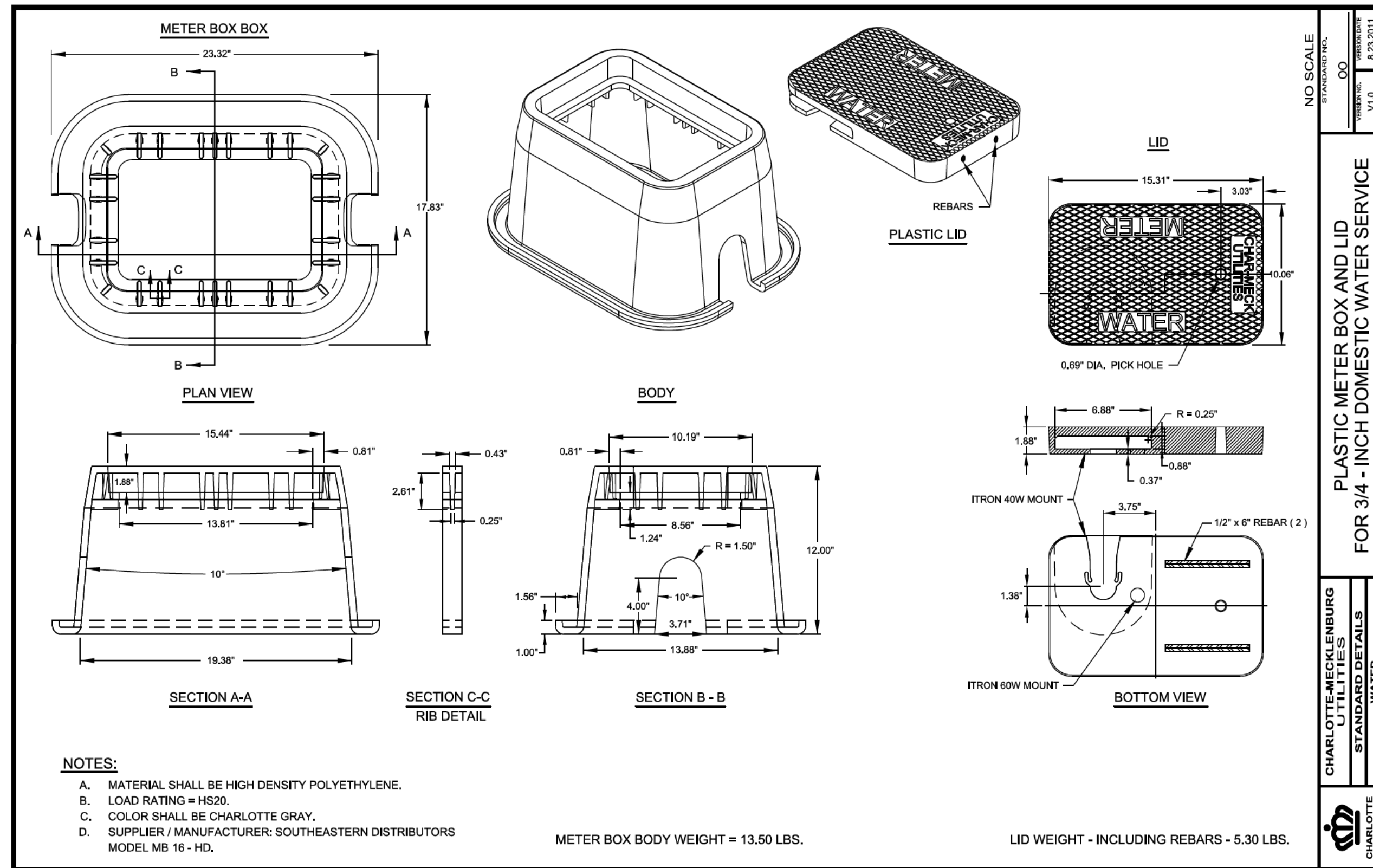


CLTWater STANDARD DETAILS



2/6/2015 W:\Transportation\Trl\036.00 (U-5008)\Utilities\permit\280_021_U5008.dgn

REV: 2/1/2012