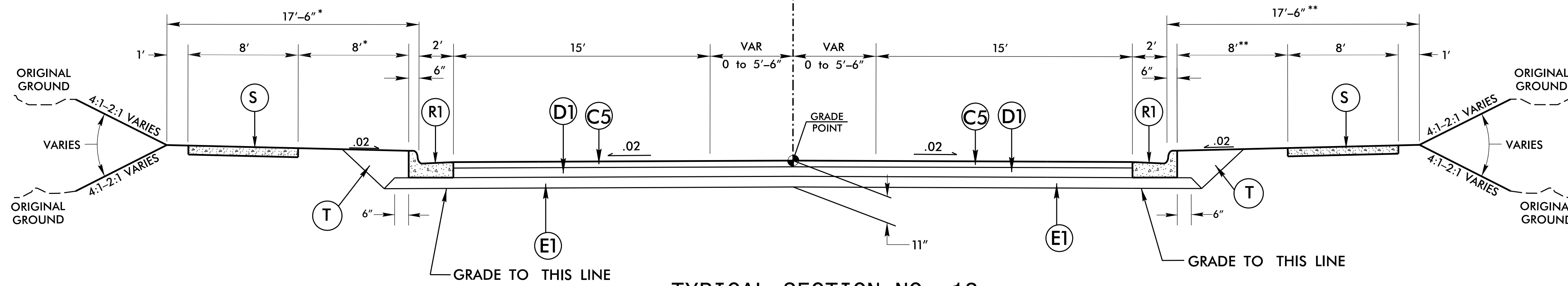


-Y7- GREENSBORO STREET CONNECTOR



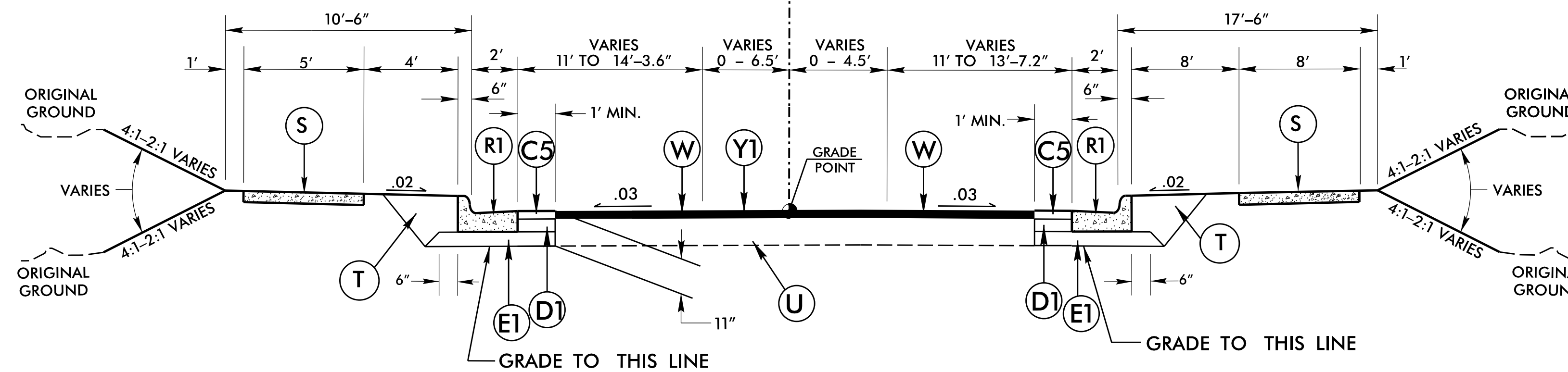
* TAPER PLANTING STRIP TO 6' & BERM TO 15'-6" FROM 13+06.74 TO 13+39.74. TAPER BACK TO NORMAL TYPICAL SECTION WIDTHS FROM 13+79.74 TO 14+09.74.

TYPICAL SECTION NO. 13

-Y7- STA. 10+33.97 TO 19+78.09

** TAPER PLANTING STRIP TO 6' & BERM TO 15'-6" FROM 15+78.37 TO 16+08.37. TAPER BACK TO NORMAL TYPICAL SECTION WIDTHS FROM 16+48.37 TO 16+78.37.

-Y8- GREENSBORO STREET

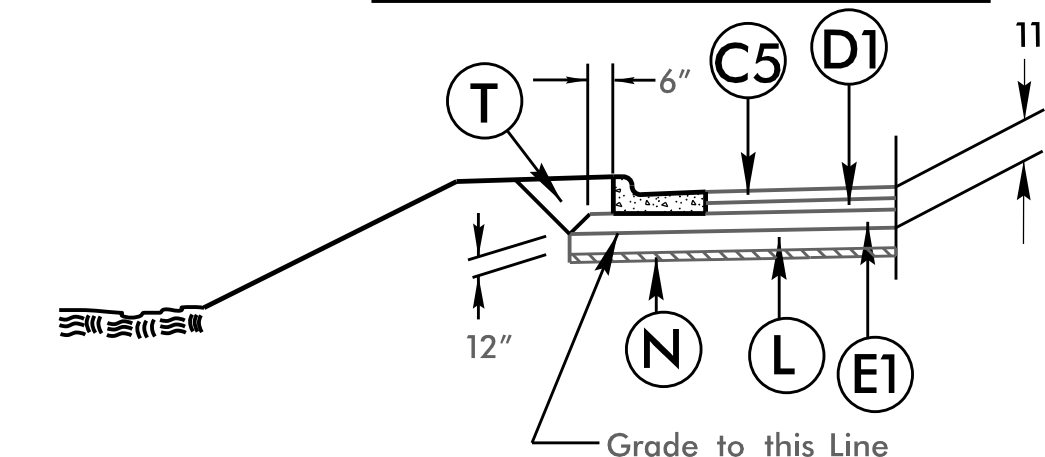


* SAWCUT EXISTING PAVEMENT

TYPICAL SECTION NO. 14

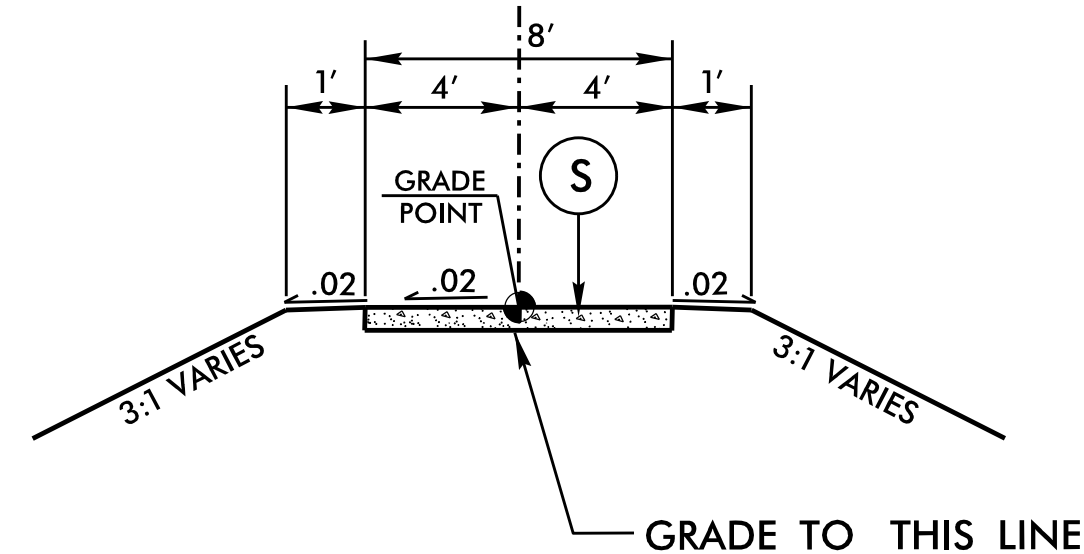
-Y8- STA. 11+19.18 TO 14+49.18

SHALLOW UNDERCUT



-Y7- STA. 10+34 TO 13+25
See Cross Sections for Limits

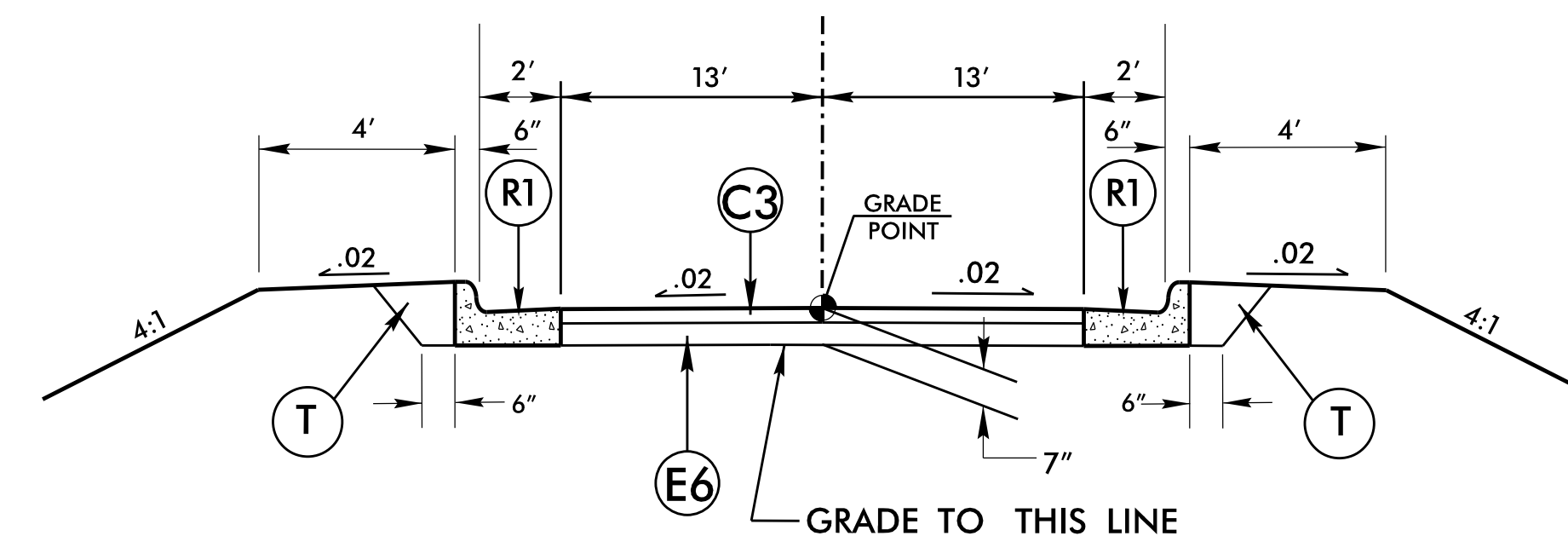
-PED- PEDESTRIAN WALKWAY



TYPICAL SECTION NO. 15

-PED- STA. 10+00.00 TO 13+39.88

-DR2- DRIVEWAY



TYPICAL SECTION NO. 16

-DR2- STA. 10+00 TO 11+04.07

PAVEMENT EDGE SLOPES 1:1 UNLESS SHOWN OTHERWISE

NOT TO SCALE

PAVEMENT SCHEDULE	
C1	3" SF9.5A
C2	1 1/2" SF9.5A
C3	3" S9.5C
C4	VAR. S9.5C
C5	3" S9.5B
C6	VAR. S9.5B
C7	1 1/2" S9.5B
C8	1 1/2" S9.5C
D1	4" I19.0B
D2	VAR. I19.0B
D3	4" I19.0C
D4	VAR. I19.0C
E1	4" B25.0B
E2	VAR. B25.0B
E3	3" B25.0C
E4	7.5" B25.0C
E5	VAR. B25.0C
E6	4" B25.0C
J1	10" ABC
L	CL IV SUBGR. STAB.
N	GEOTEXTILE
R1	2'-6" C & G
R2	13"x6" CURB
R3	5" MONO. ISLAND
S	4" SIDEWALK
T	EARTH MATERIAL
U	EXISTING PAVEMENT
W	WEDGING
Y1	0" TO 1 1/2" MILLING
Y2	INCIDENTAL MILLING
Y3	1 1/2" MILLING