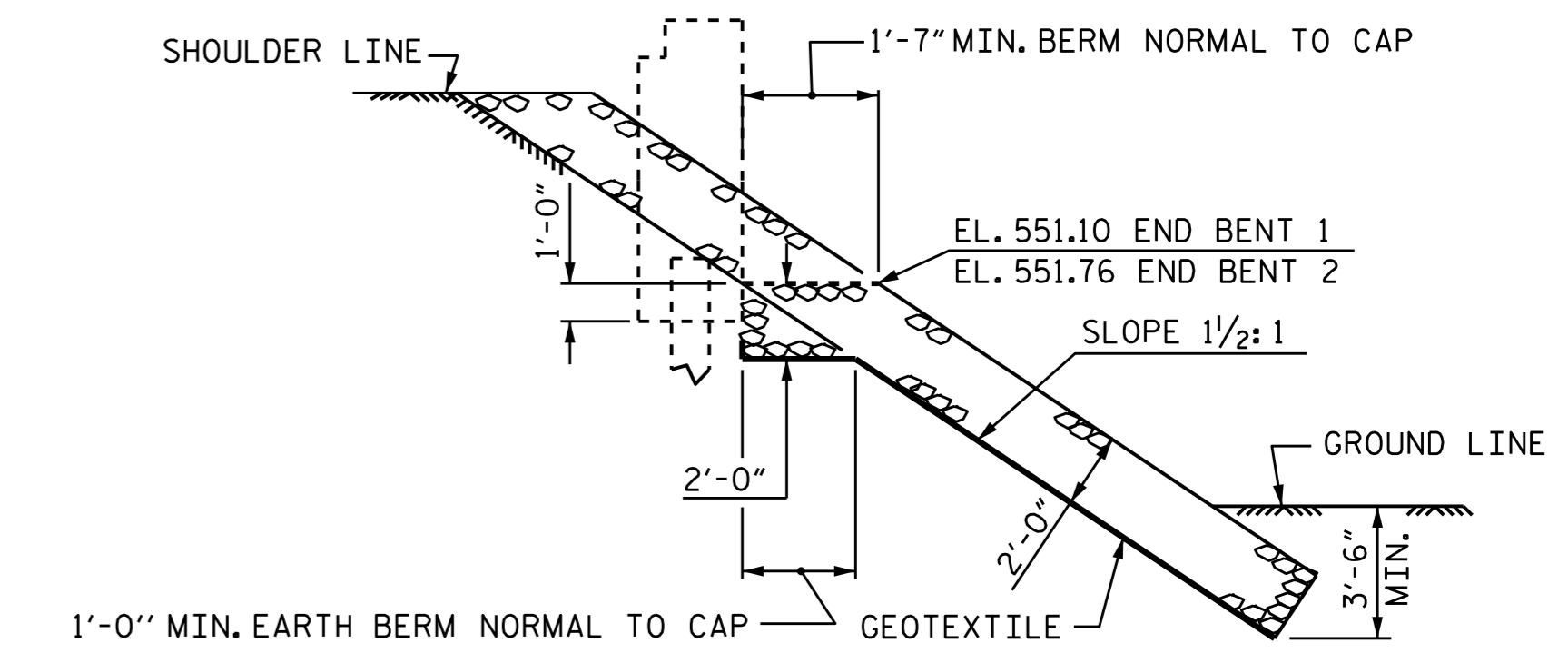
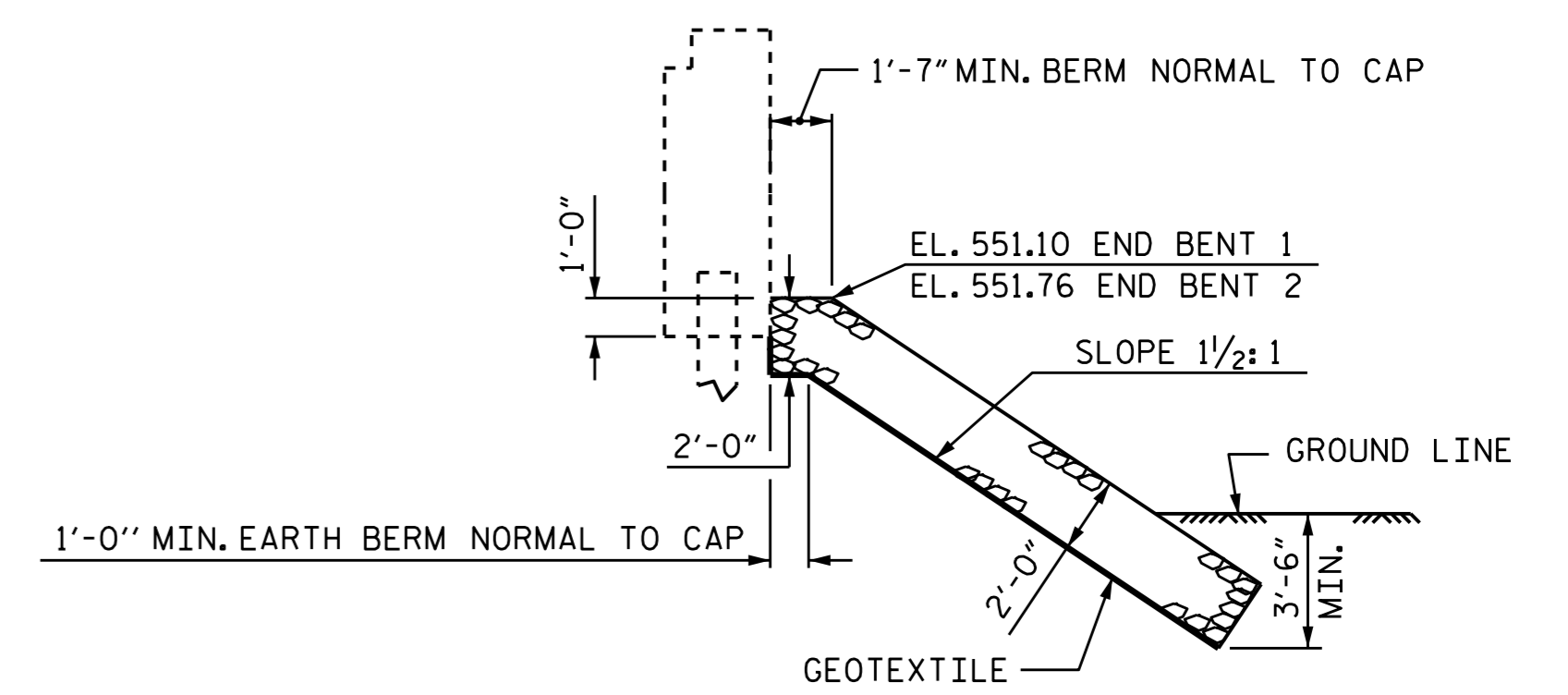


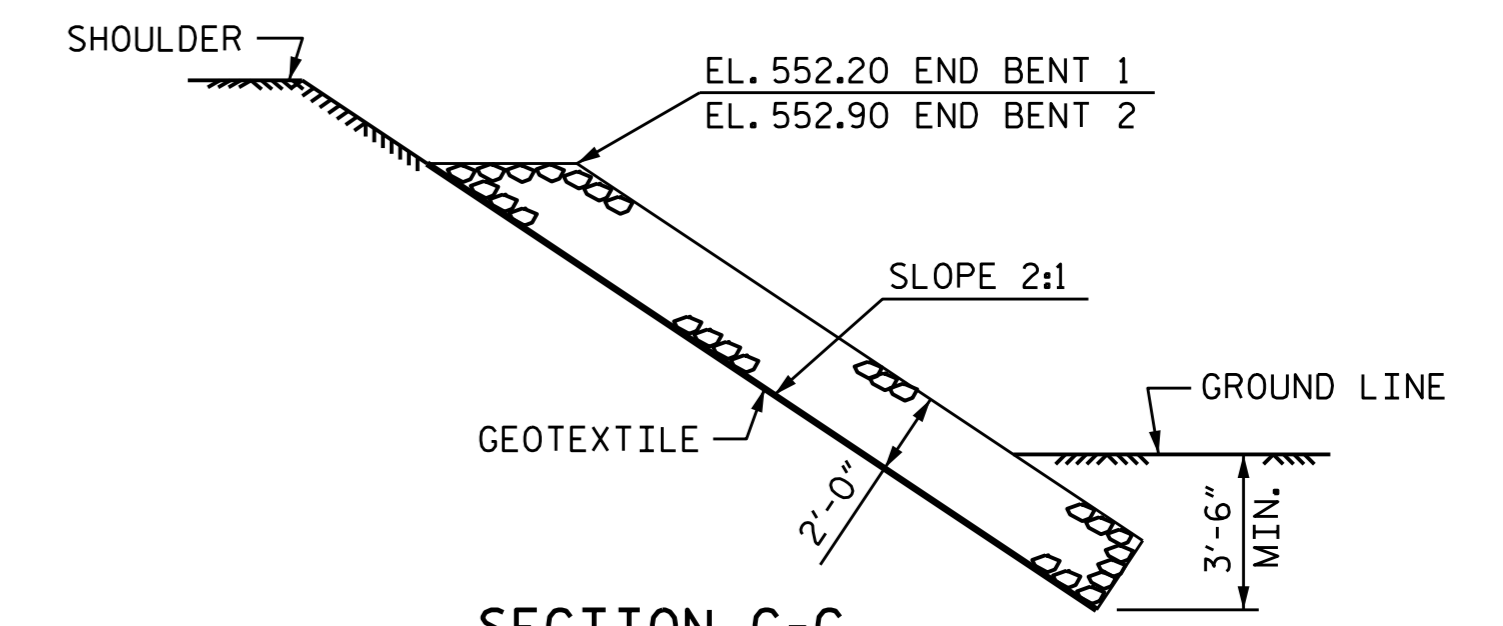
PLAN



SECTION H-H



SECTION C-C



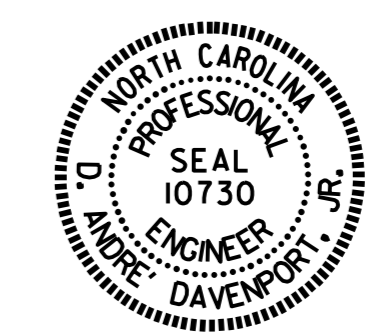
SECTION C-C

PROJECT NO. B-5105
MECKLENBURG COUNTY
 STATION: 20+08.00 -L-

STATE OF NORTH CAROLINA
 DEPARTMENT OF TRANSPORTATION
 RALEIGH

RIP RAP DETAILS

ESTIMATED QUANTITIES		
BRIDGE @ STA. 20+08.00 -L-	RIP RAP CLASS II (2'-0" THICK)	GEOTEXTILE FOR DRAINAGE
	TONS	SQUARE YARDS
END BENT 1	325	360
END BENT 2	480	535



DRAWN BY: K.D. LAYNE DATE: 8-06-13
 CHECKED BY: M.K. BEARD DATE: 10-04-13

15-JUN-2015 11:05
 R:\Structures\Plans\B5105.sd.RR.01.dgn
 dadavenport

REVISIONS						SHEET NO. S-36
NO.	BY:	DATE:	NO.	BY:	DATE:	
1			3			TOTAL SHEETS
2			4			38