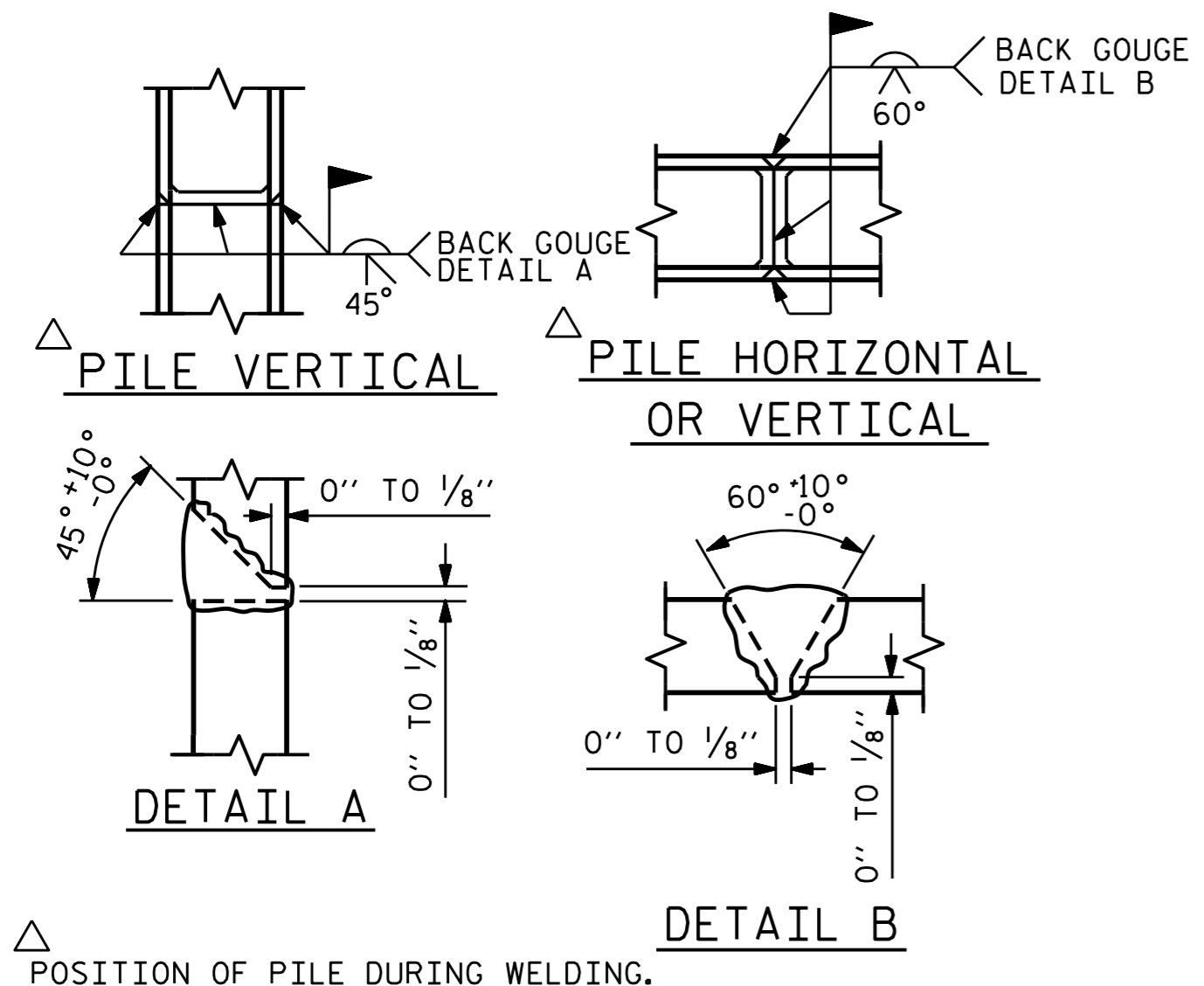
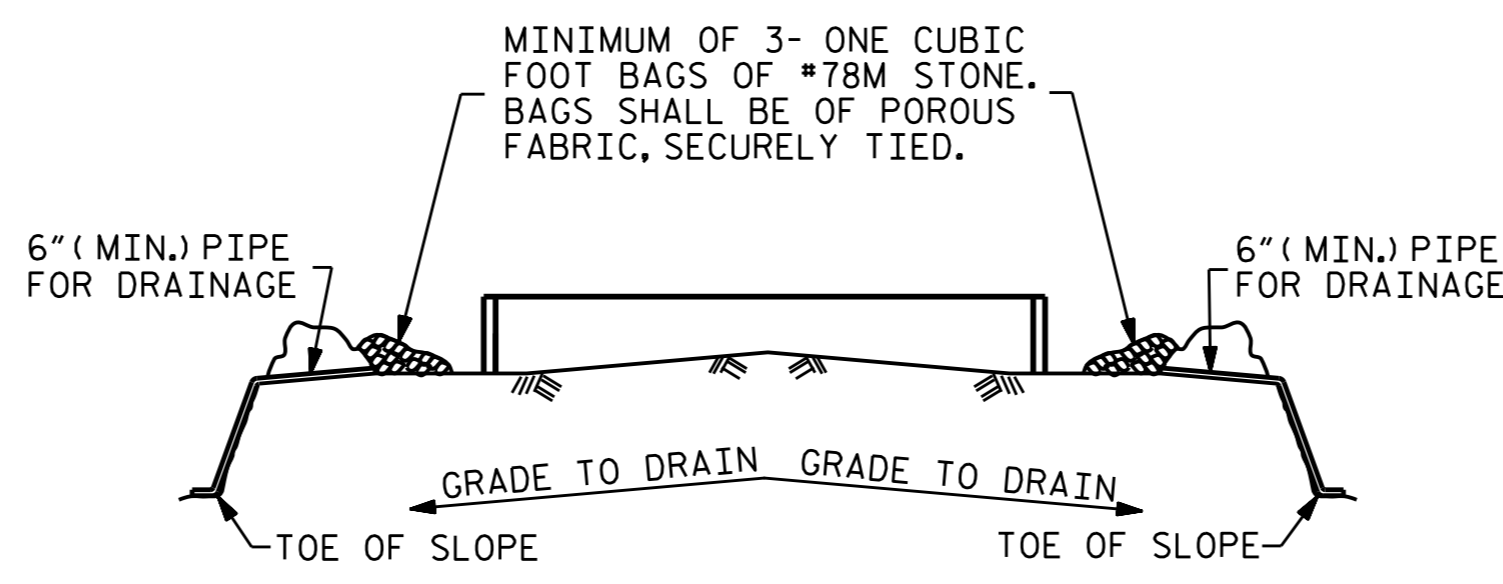


BILL OF MATERIAL					
END BENT 2					
BAR	NO.	SIZE	TYPE	LENGTH	WEIGHT
B1	8	#10	1	36'-11"	1,271
B2	10	#9	1	37'-2"	1,264
B3	30	#4	STR	22'-9"	456
B4	5	#4	STR	12'-11"	43
B5	16	#4	STR	2'-11"	31
H1	24	#5	6	14'-3"	357
S1	62	#4	3	10'-11"	452
S2	62	#4	2	3'-8"	152
S3	28	#4	4	6'-6"	122
U1	9	#4	5	5'-11"	36
V1	110	#4	STR	6'-2"	453
V2	52	#4	STR	8'-5"	292
REINFORCING STEEL				LBS. 4,929	
CLASS A CONCRETE CAP, LOWER WINGS. & COLLARS				C.Y. 36.1	
HP 12X53 STEEL PILES NO. 7				LIN. FT. 140	



PILE SPLICE DETAILS



MINIMUM OF 3- ONE CUBIC FOOT BAGS OF #78M STONE. BAGS SHALL BE OF POROUS FABRIC, SECURELY TIED.

BAGGED STONE AND PIPE SHALL BE PLACED IMMEDIATELY AFTER COMPLETION OF END BENT EXCAVATION. PIPE MAY BE EITHER CONCRETE, CORRUGATED STEEL, CORRUGATED ALUMINUM ALLOY, OR CORRUGATED PLASTIC. PERFORATED PIPE WILL NOT BE ALLOWED.

BAGGED STONE SHALL REMAIN IN PLACE UNTIL THE ENGINEER DIRECTS THAT IT BE REMOVED. THE CONTRACTOR SHALL REMOVE AND DISPOSE OF SILT ACCUMULATIONS AT BAGGED STONE WHEN SO DIRECTED BY THE ENGINEER. BAGS SHALL BE REMOVED AND REPLACED WHENEVER THE ENGINEER DETERMINES THAT THEY HAVE DETERIORATED AND LOST THEIR EFFECTIVENESS.

NO SEPARATE PAYMENT WILL BE MADE FOR THIS WORK AND THE ENTIRE COST OF THIS WORK SHALL BE INCLUDED IN THE UNIT CONTRACT PRICE BID FOR THE SEVERAL PAY ITEMS.

TEMPORARY DRAINAGE AT END BENT

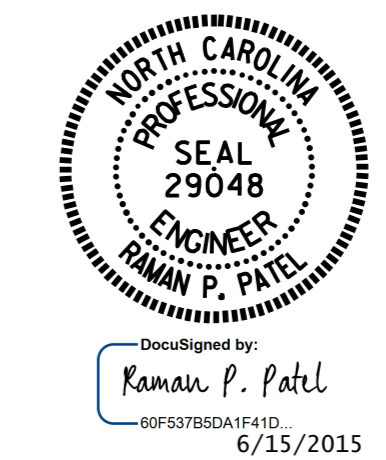
PROJECT NO. B-5105
MECKLENBURG COUNTY
 STATION: 20+08.00 -L-
 SHEET 3 OF 3

STATE OF NORTH CAROLINA
 DEPARTMENT OF TRANSPORTATION
 RALEIGH

SUBSTRUCTURE
 INTEGRAL
 END BENT 2

REVISIONS				SHEET NO.	
NO.	BY:	DATE:	NO.	BY:	DATE:
1			3		
2			4		

TOTAL SHEETS: 38



DRAWN BY : R. P. PATEL DATE : 9-17-13
 CHECKED BY : R. L. CHESSON DATE : 10-7-13
 DESIGN ENGINEER OF RECORD: R. P. PATEL DATE : 3-18-14