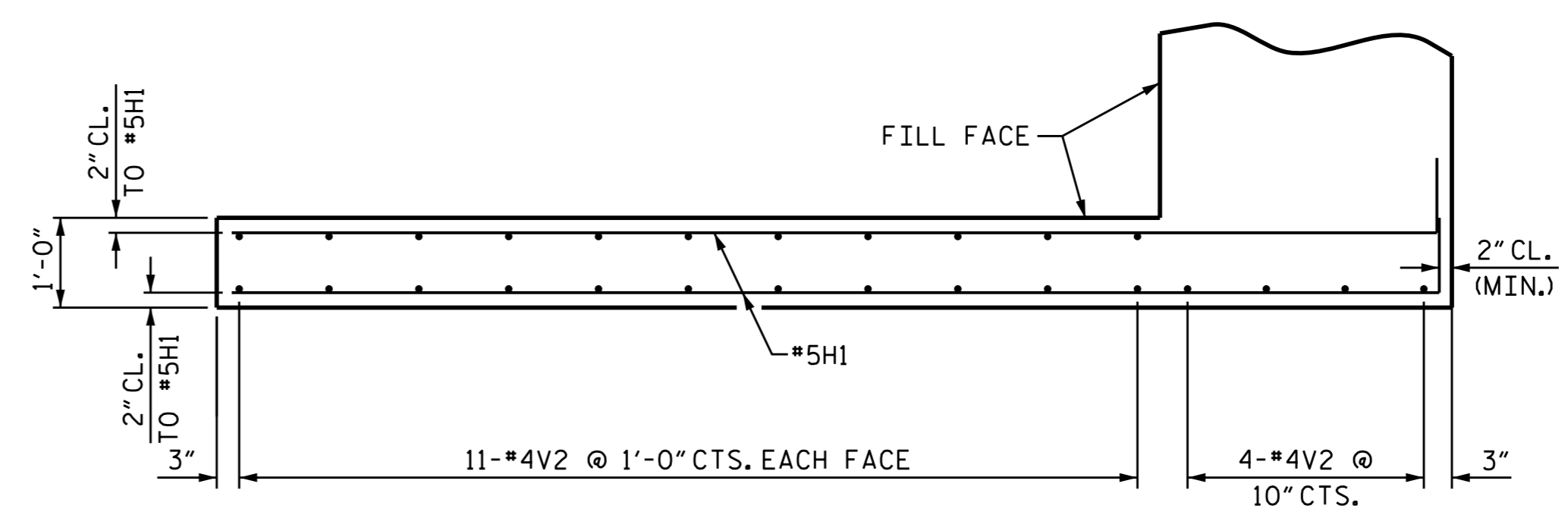
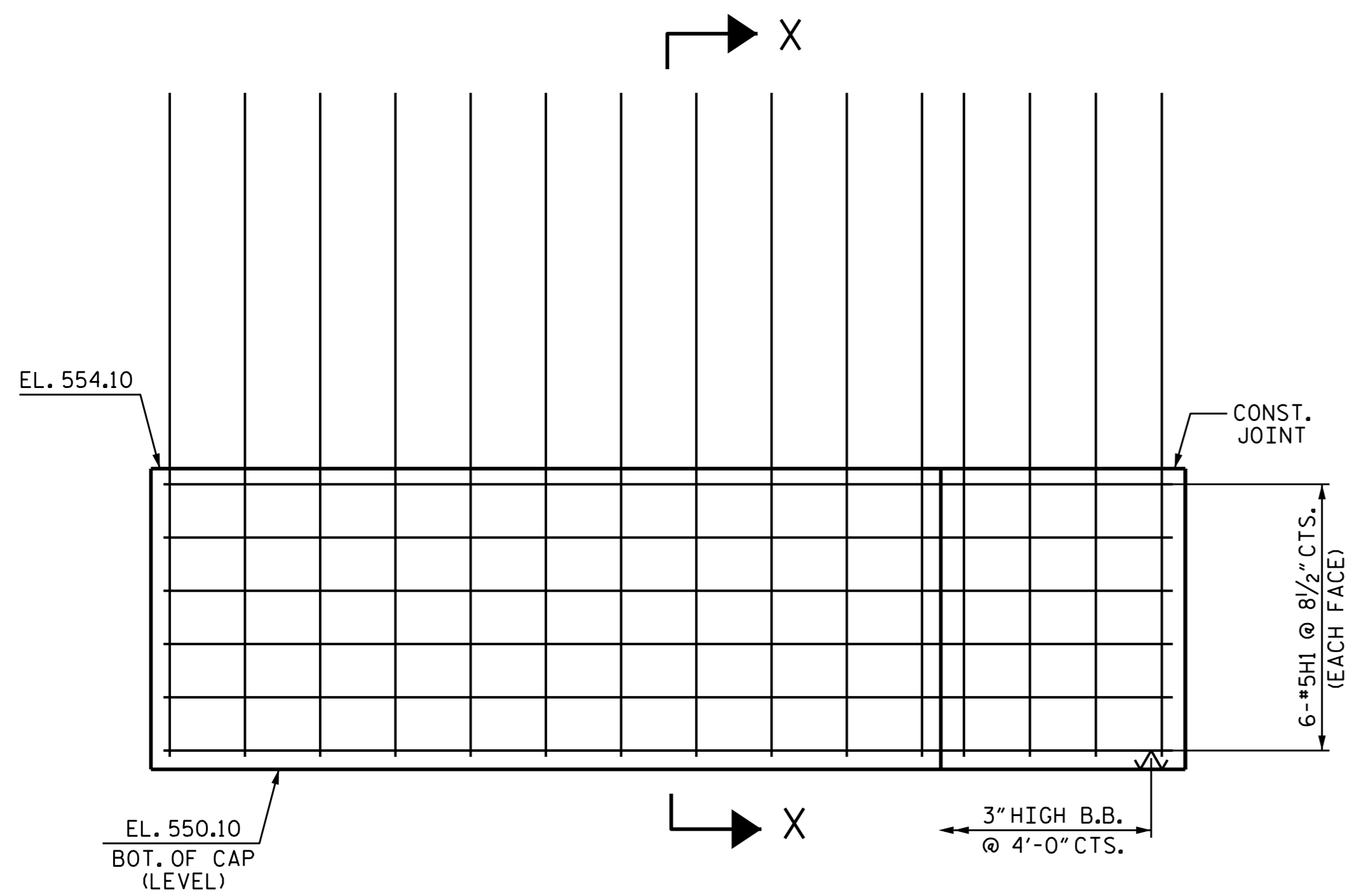


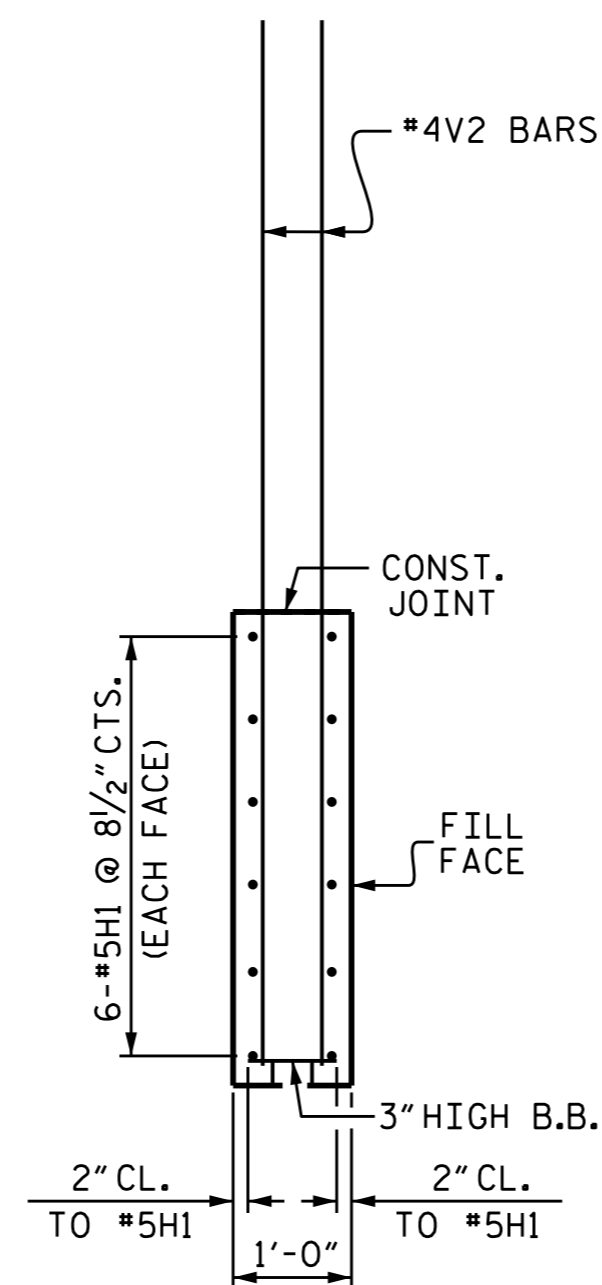
PLAN OF LEFT WING



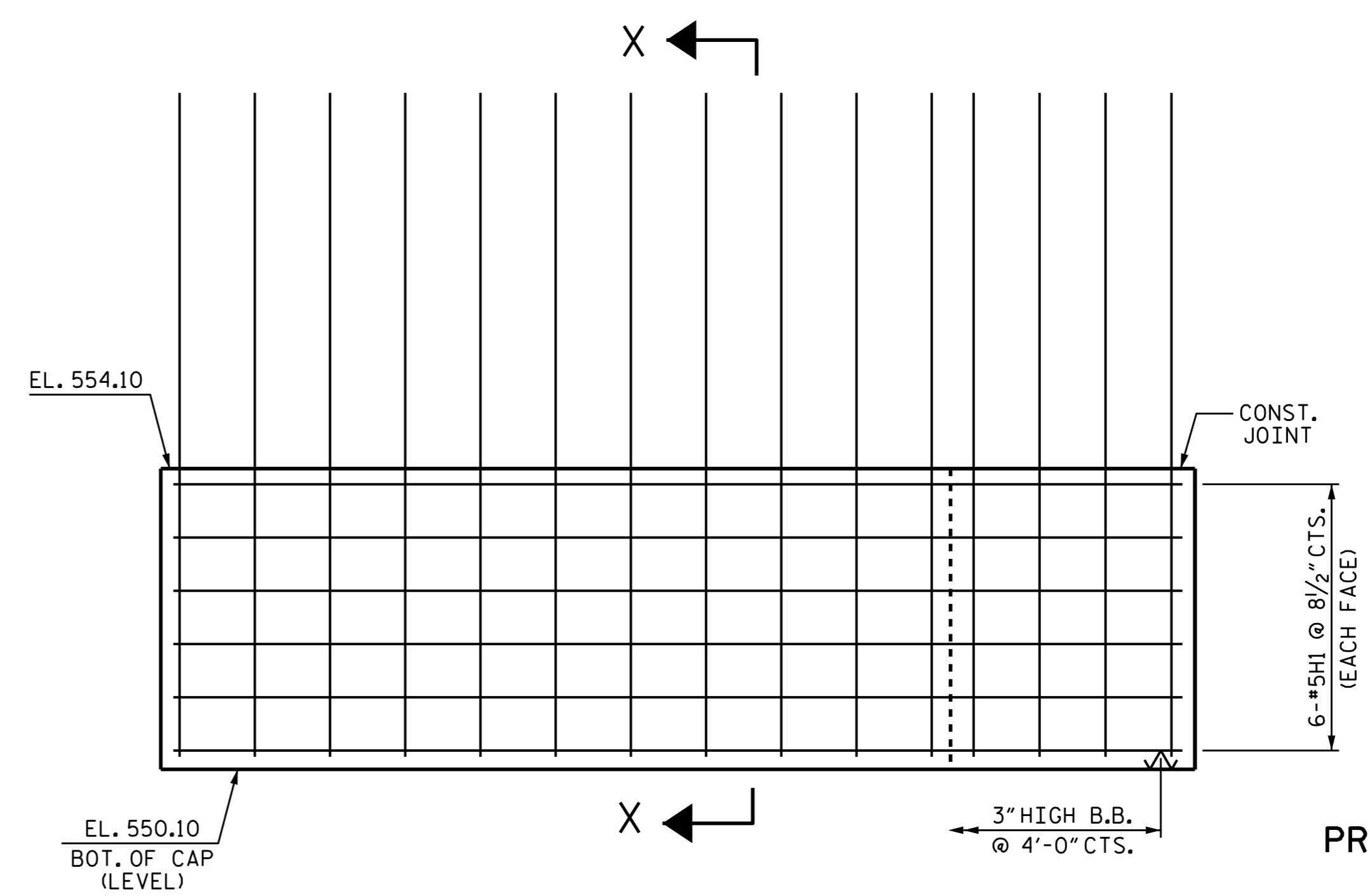
PLAN OF RIGHT WING



ELEVATION OF LEFT WING



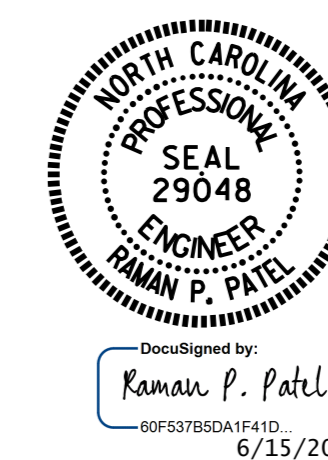
SECTION X-X



ELEVATION OF RIGHT WING

PROJECT NO. B-5105
MECKLENBURG COUNTY
 STATION: 20+08.00 -L-

SHEET 2 OF 3



STATE OF NORTH CAROLINA DEPARTMENT OF TRANSPORTATION RALEIGH					
SUPERSTRUCTURE					
INTEGRAL END BENT 1					
REVISIONS					SHEET NO.
NO.	BY:	DATE:	NO.	BY:	DATE:
1			3		
2			4		
TOTAL SHEETS					38
					S-27

DRAWN BY : R. P. PATEL DATE : 9-17-13
 CHECKED BY : R. L. CHESSON DATE : 10-7-13
 DESIGN ENGINEER OF RECORD: R. P. PATEL DATE : 3-18-14