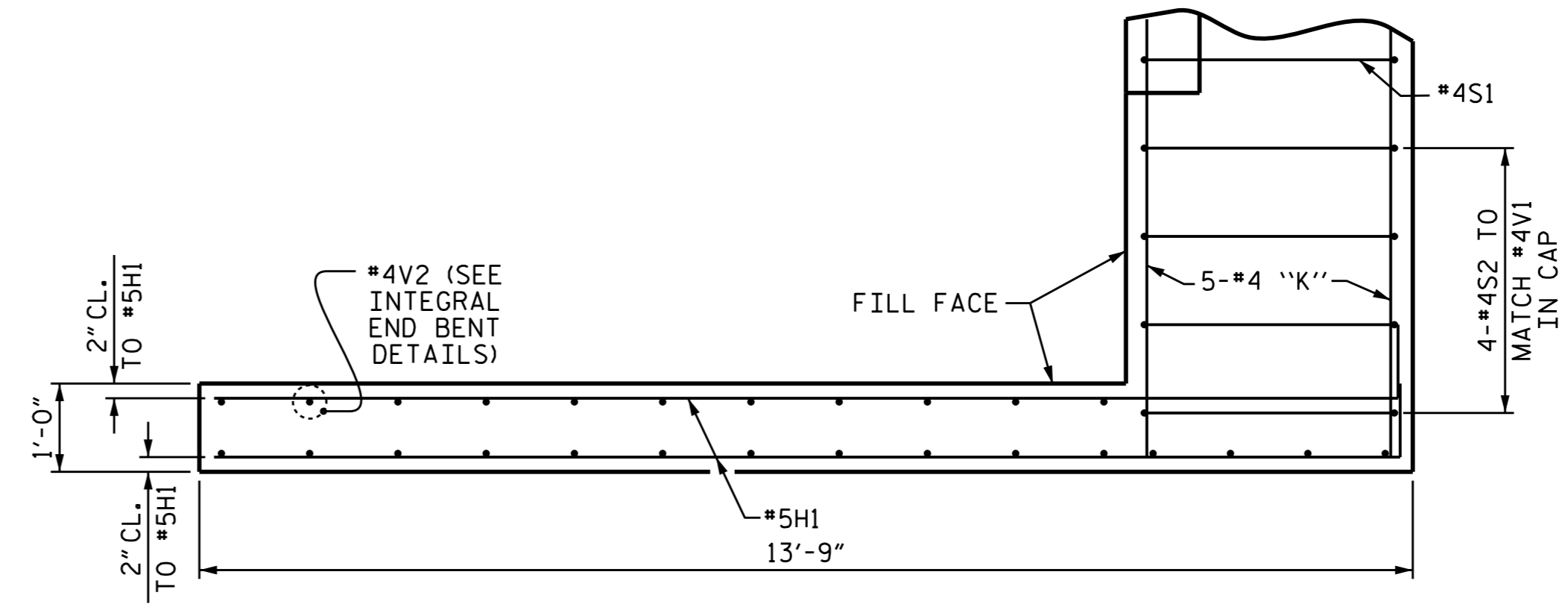


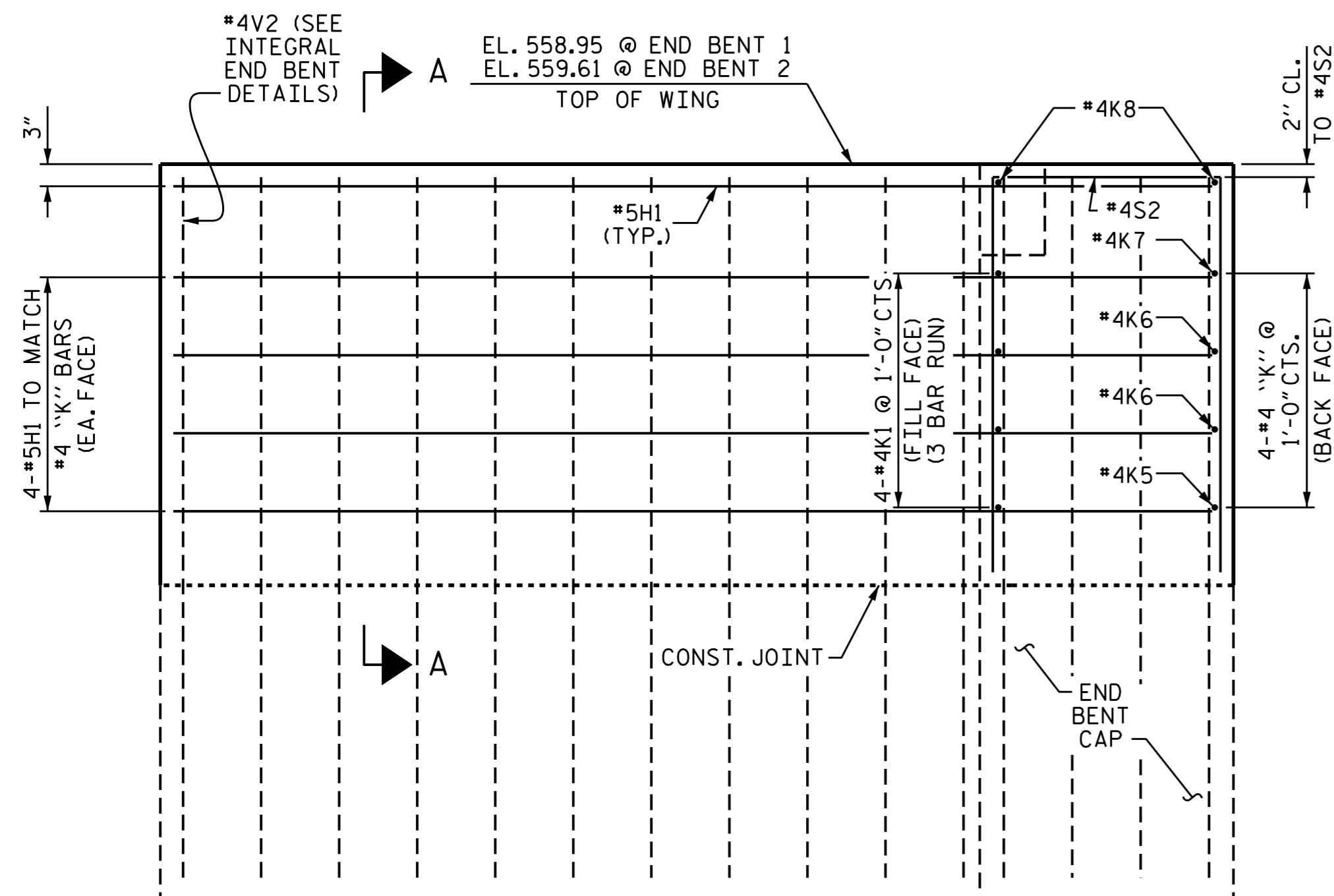
PLAN OF LEFT WING

END BENT 1 SHOWN
END BENT 2 SIMILAR



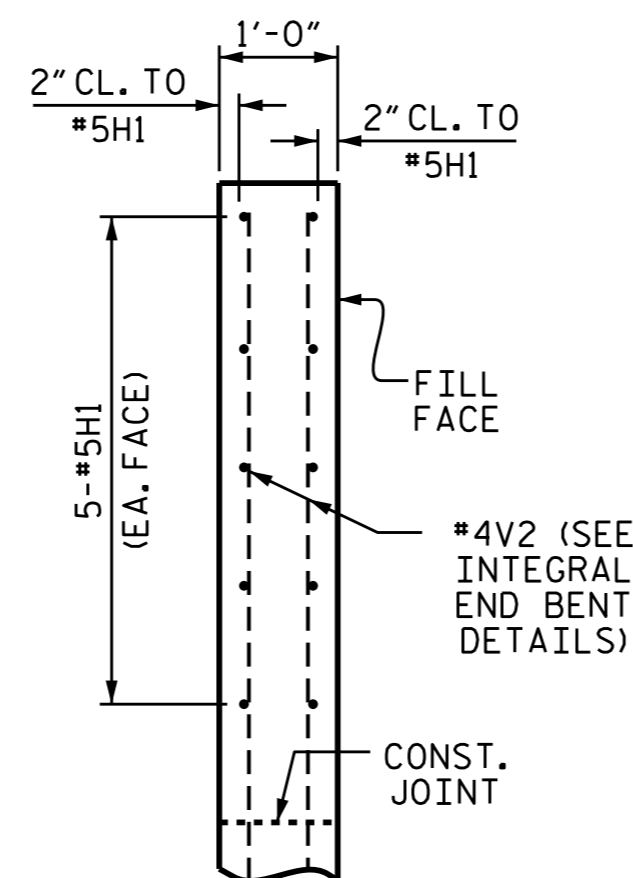
PLAN OF RIGHT WING

END BENT 1 SHOWN
END BENT 2 SIMILAR

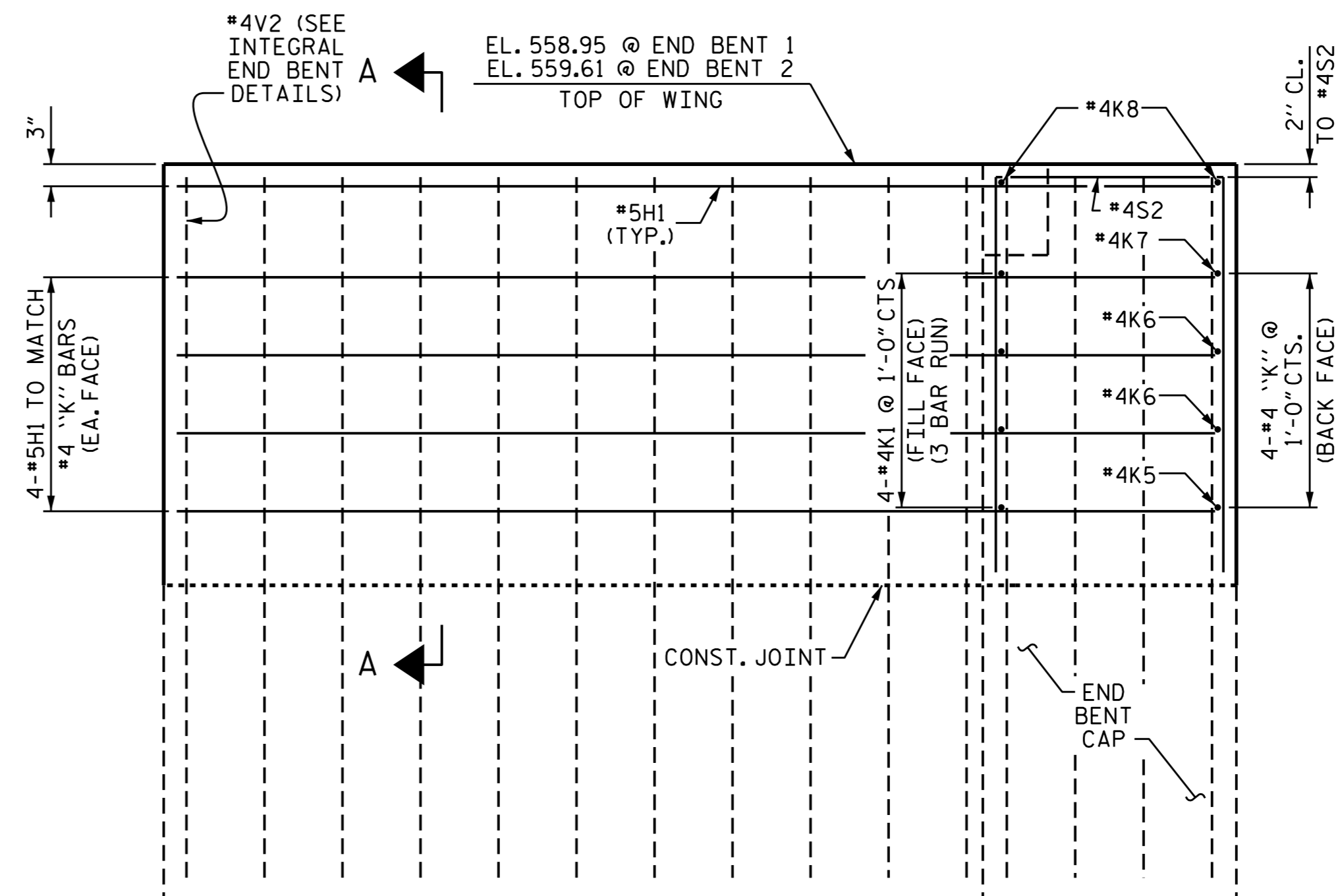


ELEVATION OF LEFT WING

END BENT 1 SHOWN
END BENT 2 SIMILAR



SECTION A-A



ELEVATION OF RIGHT WING

END BENT 1 SHOWN
END BENT 2 SIMILAR

PROJECT NO. B-5105
MECKLENBURG COUNTY
STATION: 20+08.00 -L-

SHEET 4 OF 4

STATE OF NORTH CAROLINA
DEPARTMENT OF TRANSPORTATION
RALEIGH
SUPERSTRUCTURE
PLAN OF SPAN
DETAILS



DRAWN BY: K.D. LAYNE DATE: 9-05-13
CHECKED BY: M. K. BEARD DATE: 10-08-13
DESIGN ENGINEER OF RECORD: R. P. PATEL DATE: 10-15-13

11-JUN-2015 07:59
R:\Structures\Plans\B5105.sd.S1.01.dgn
dadavenport

REVISIONS						SHEET NO.
NO.	BY:	DATE:	NO.	BY:	DATE:	S-10
1			3			TOTAL SHEETS
2			4			38