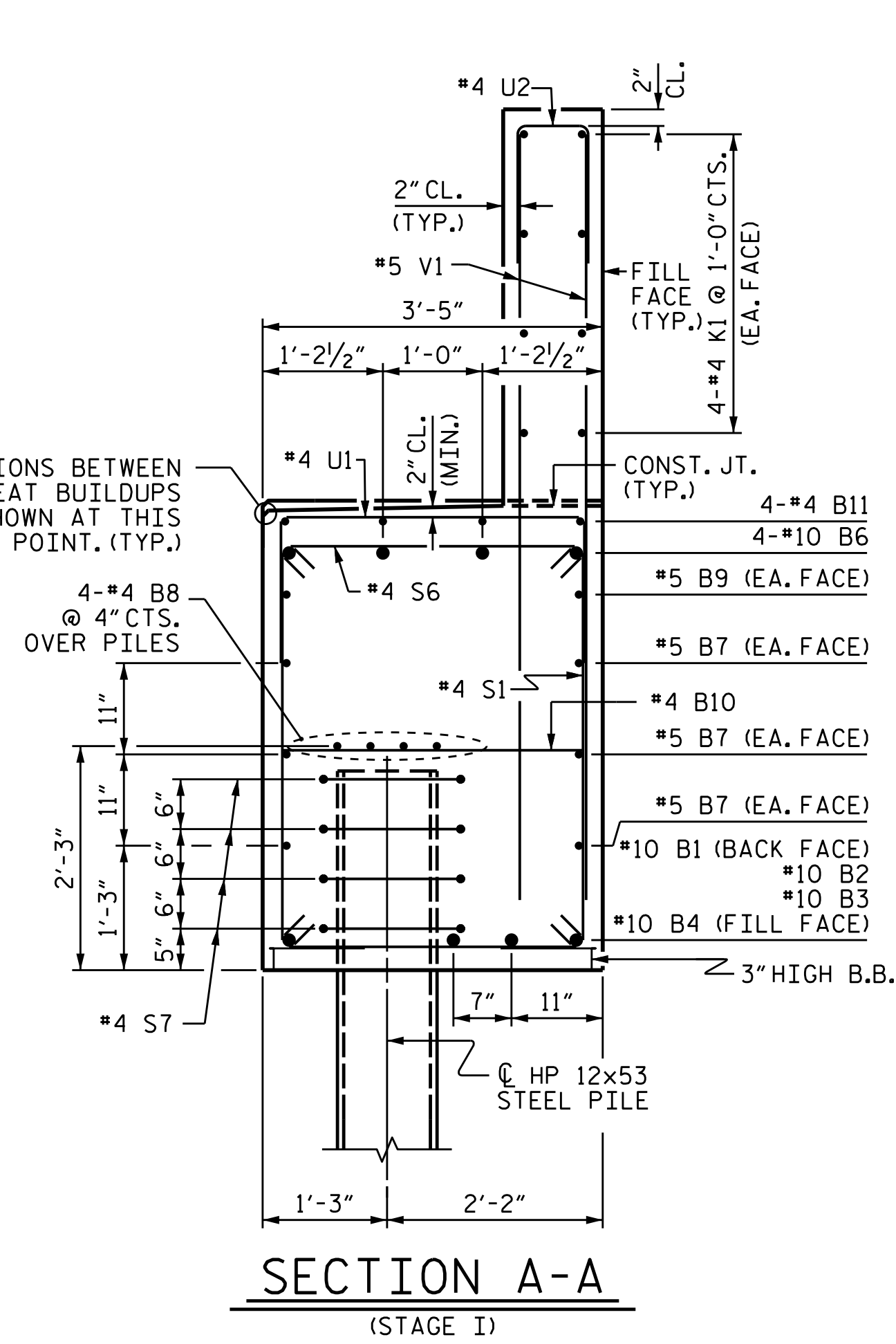
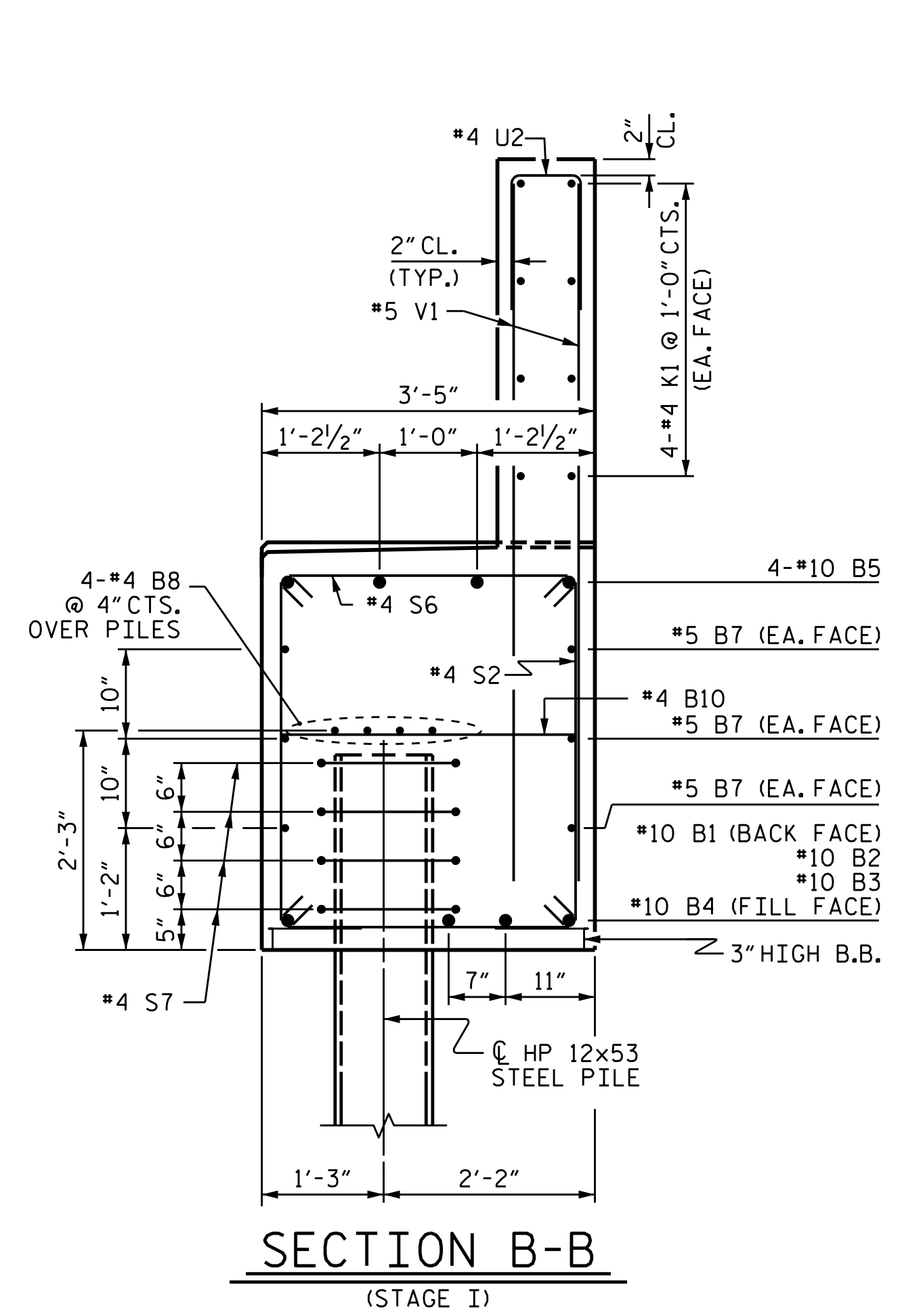


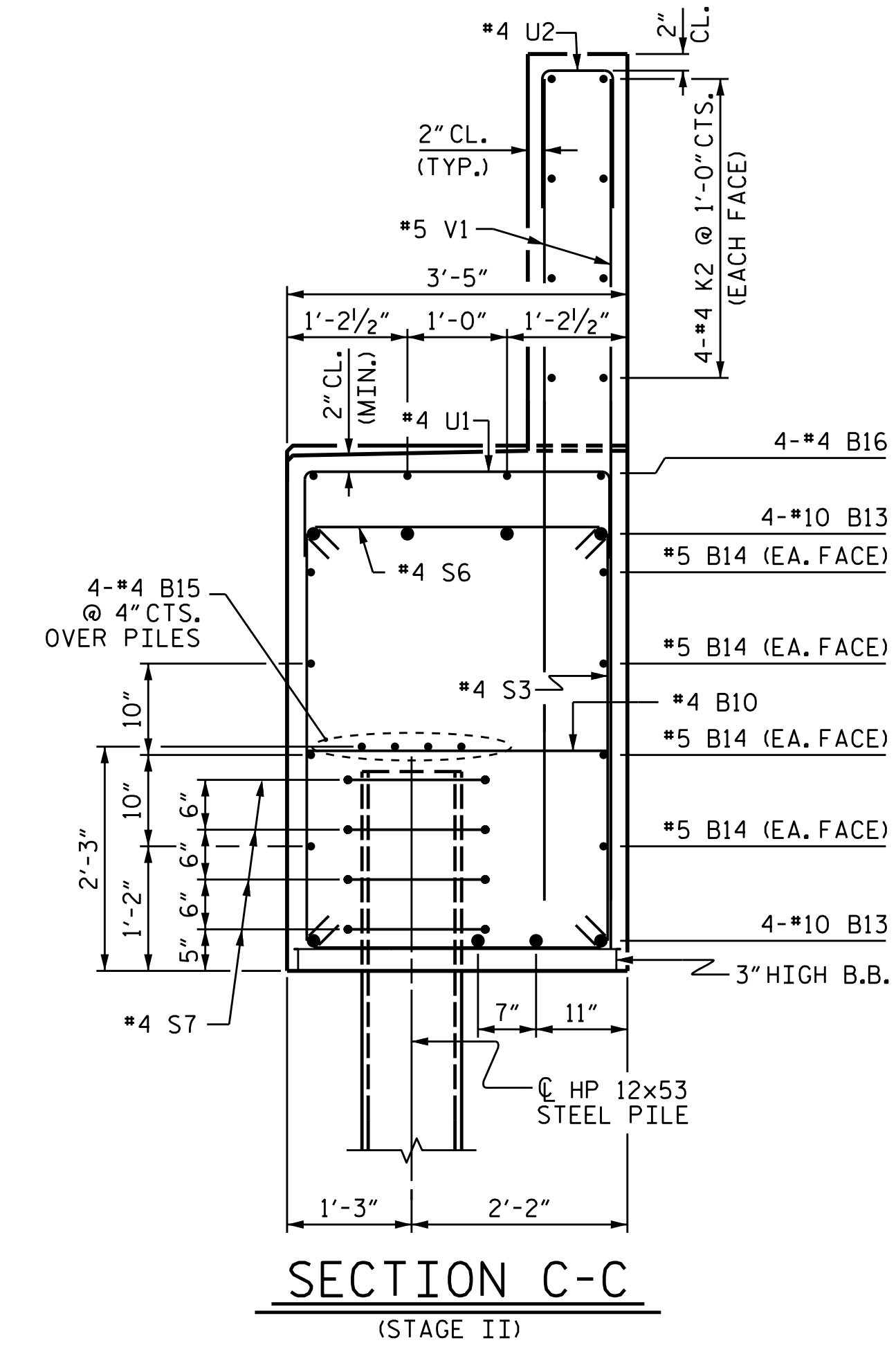
★ ELEVATIONS BETWEEN BRIDGE SEAT BUILDUPS ARE SHOWN AT THIS POINT. (TYP.)



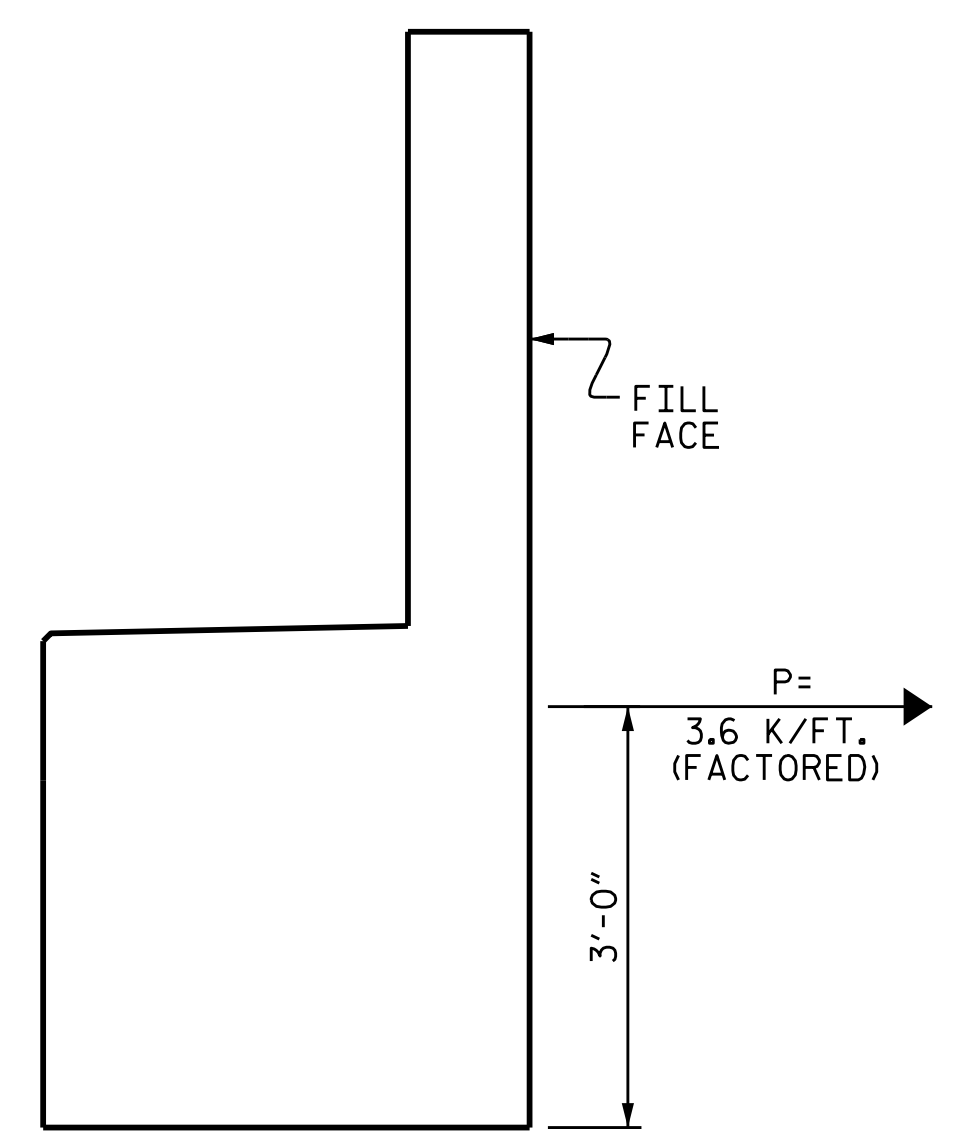
SECTION A-A  
(STAGE I)



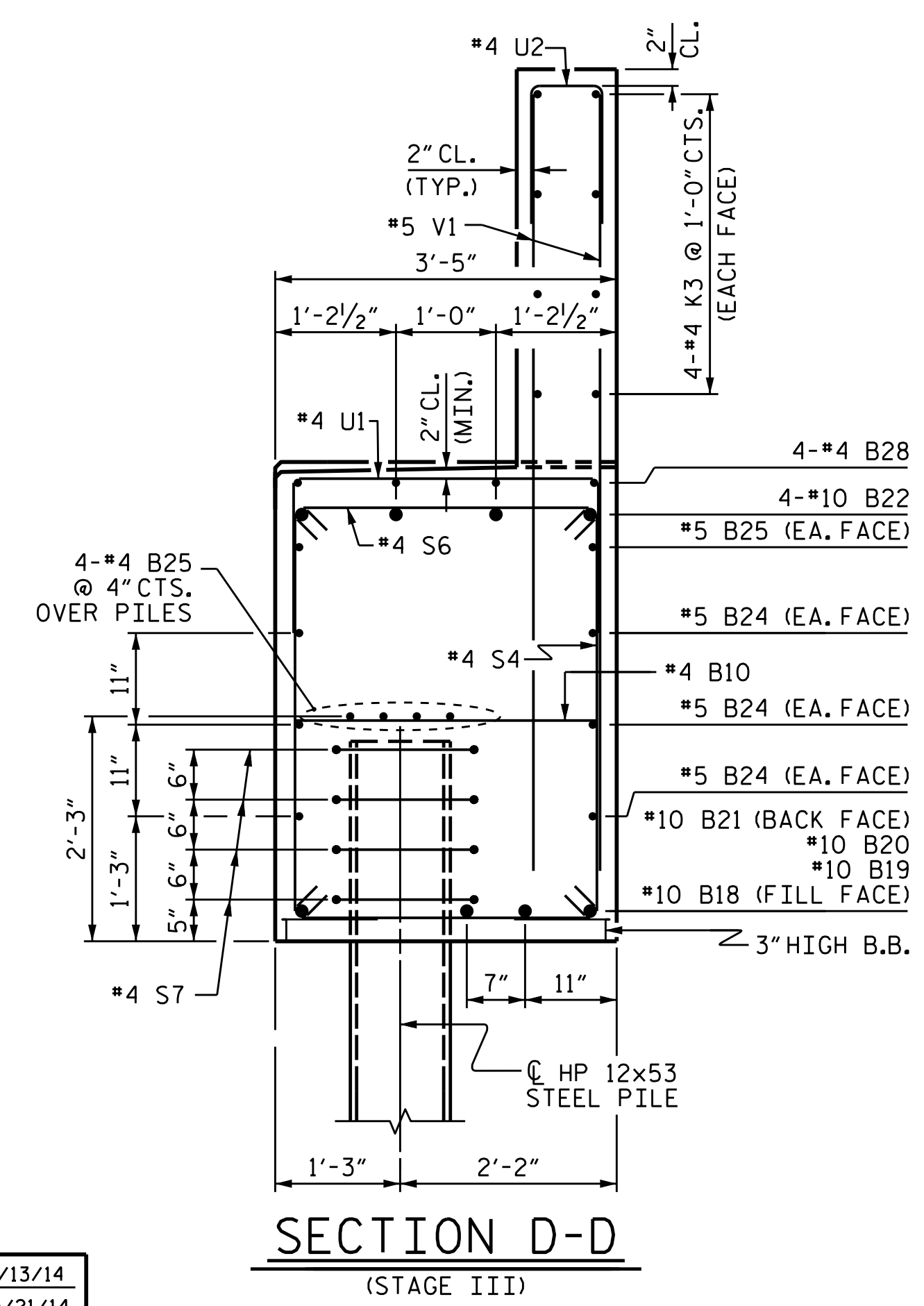
SECTION B-B  
(STAGE I)



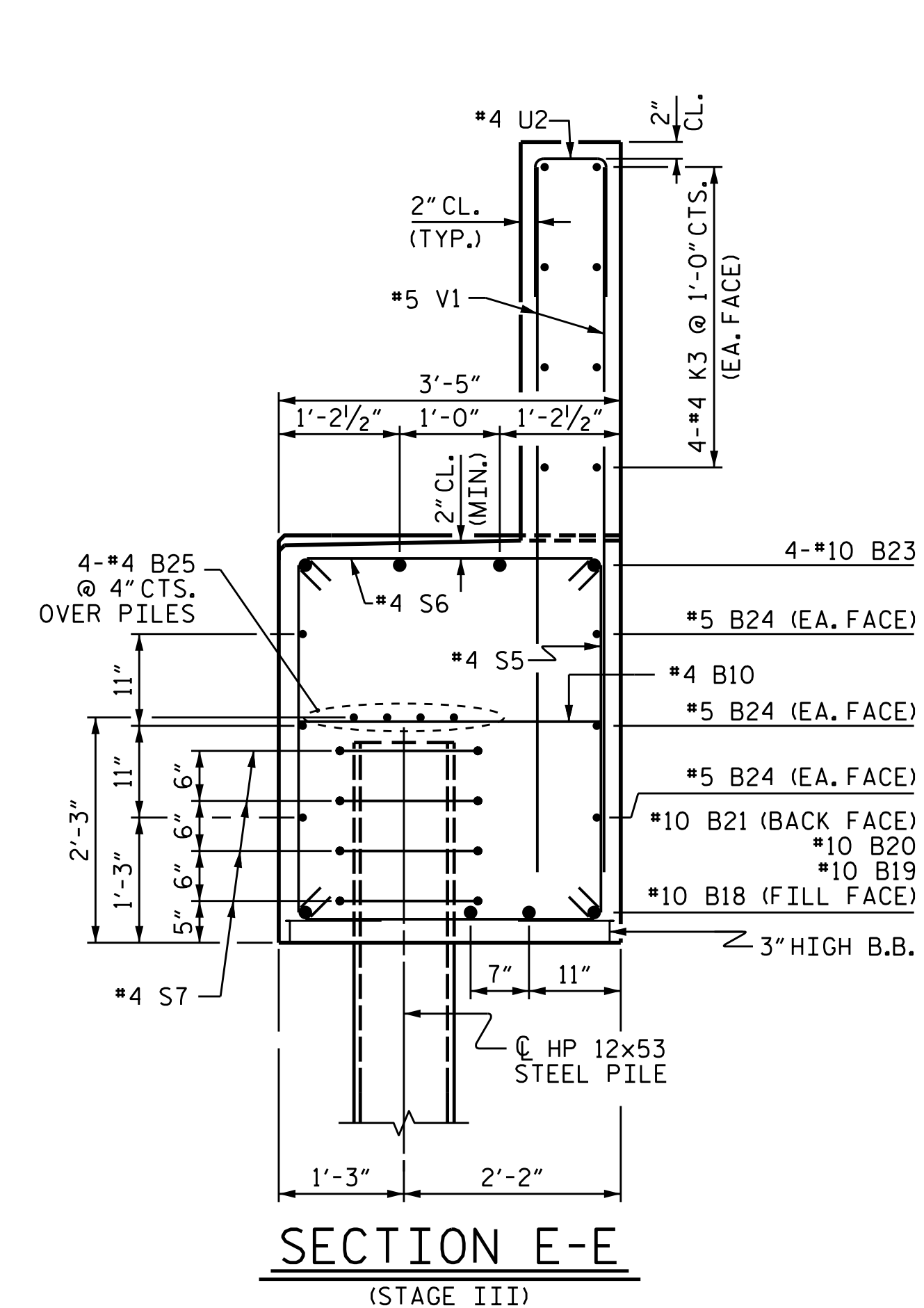
SECTION C-C  
(STAGE II)



TIE BACK DETAILS  
(SHOWING TIE BACK RESTRAINT)



SECTION D-D  
(STAGE III)



SECTION E-E  
(STAGE III)

DRAWN BY : M.E. GILES DATE : 8/13/14  
 CHECKED BY : M.K. BEARD DATE : 10/21/14  
 DESIGN ENGINEER OF RECORD : H.A. LOCKLEAR DATE : 10/21/14



PROJECT NO. B-5136  
 CABARRUS COUNTY  
 STATION: 21+74.92 -L-  
 SHEET 4 OF 5

STATE OF NORTH CAROLINA DEPARTMENT OF TRANSPORTATION RALEIGH						SHEET NO. S-71
SUBSTRUCTURE END BENT 2						
REVISIONS						TOTAL SHEETS 75
NO.	BY:	DATE:	NO.	BY:	DATE:	
1			3			
2			4			