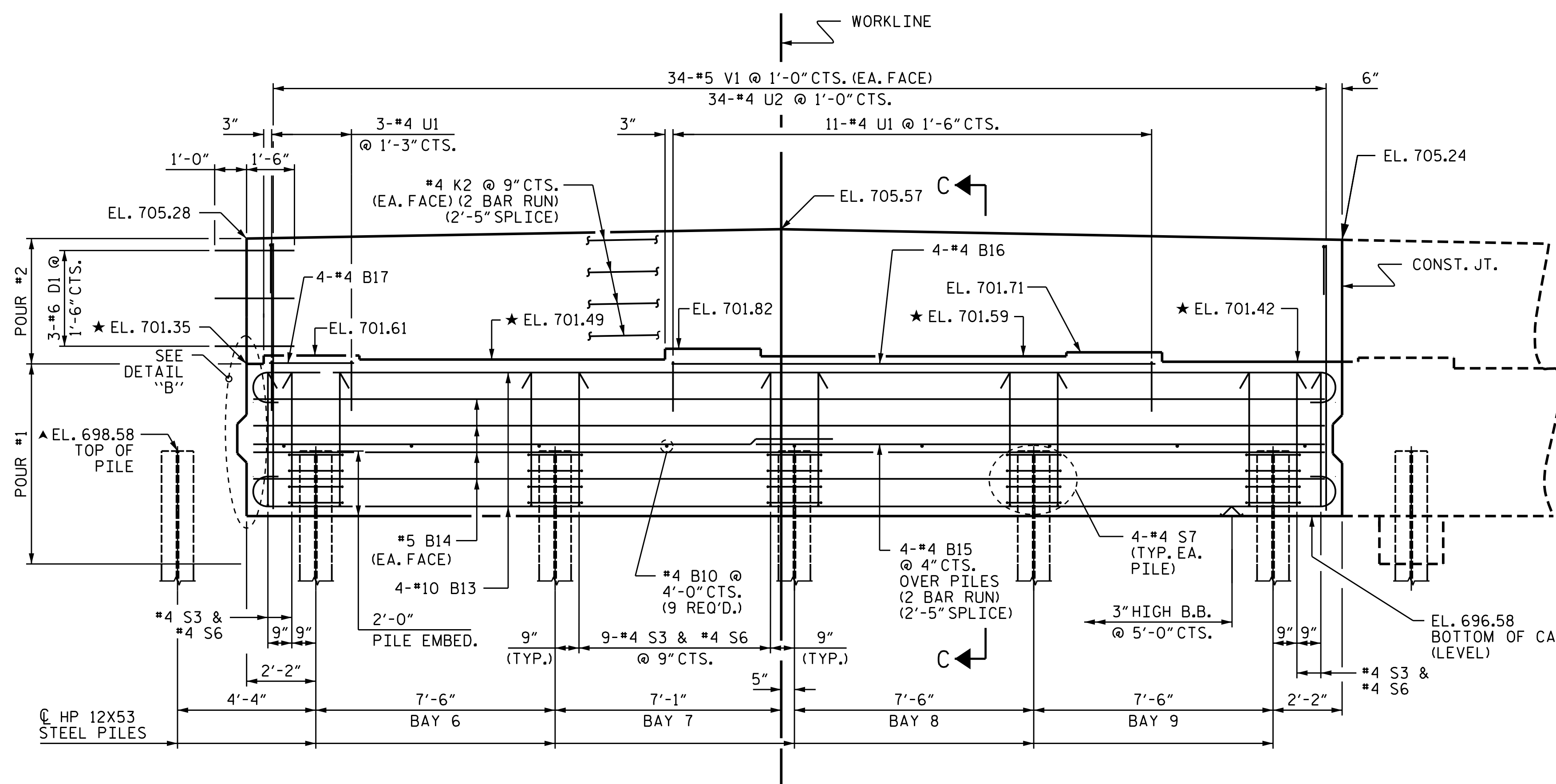
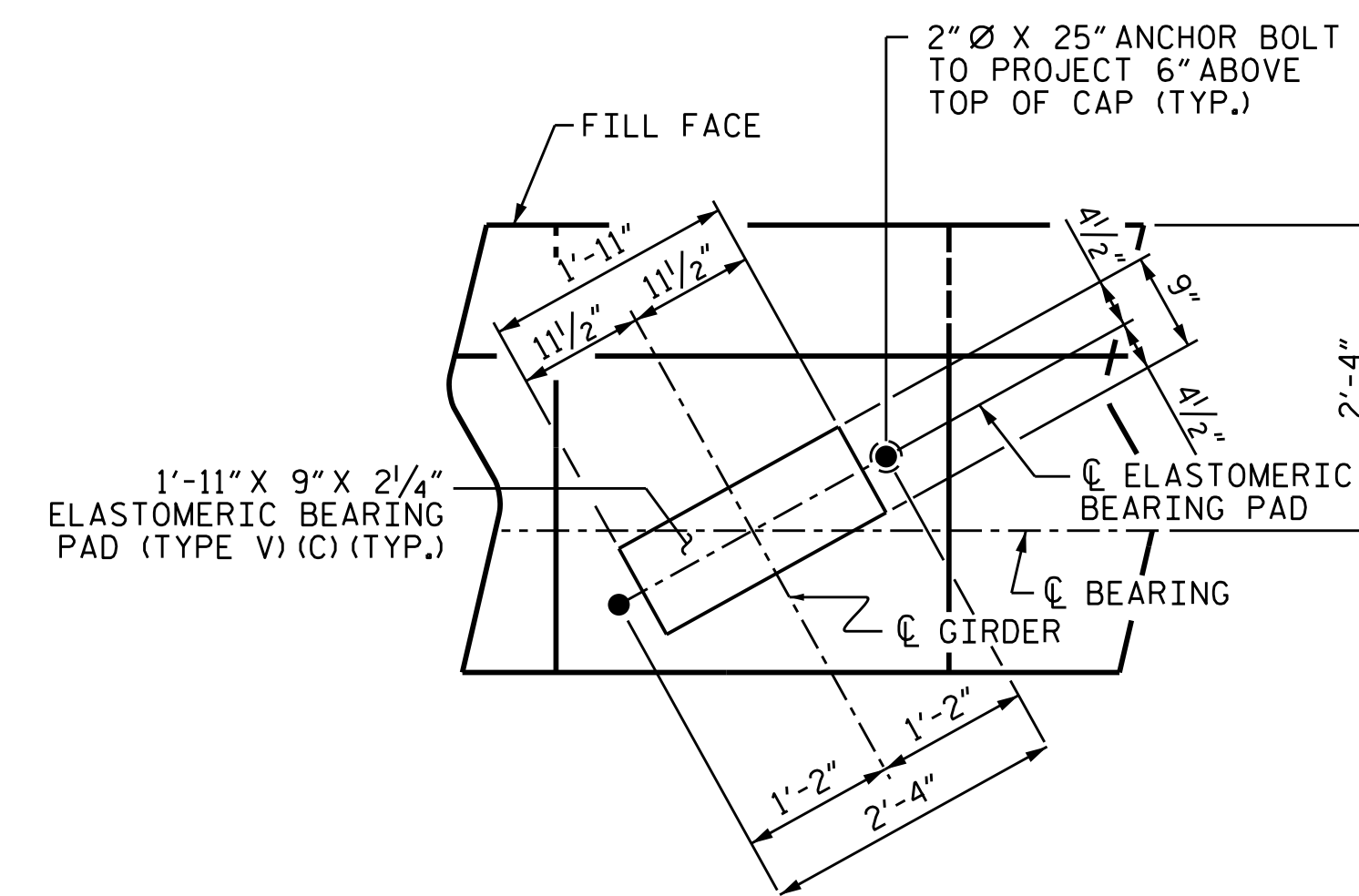


PLAN

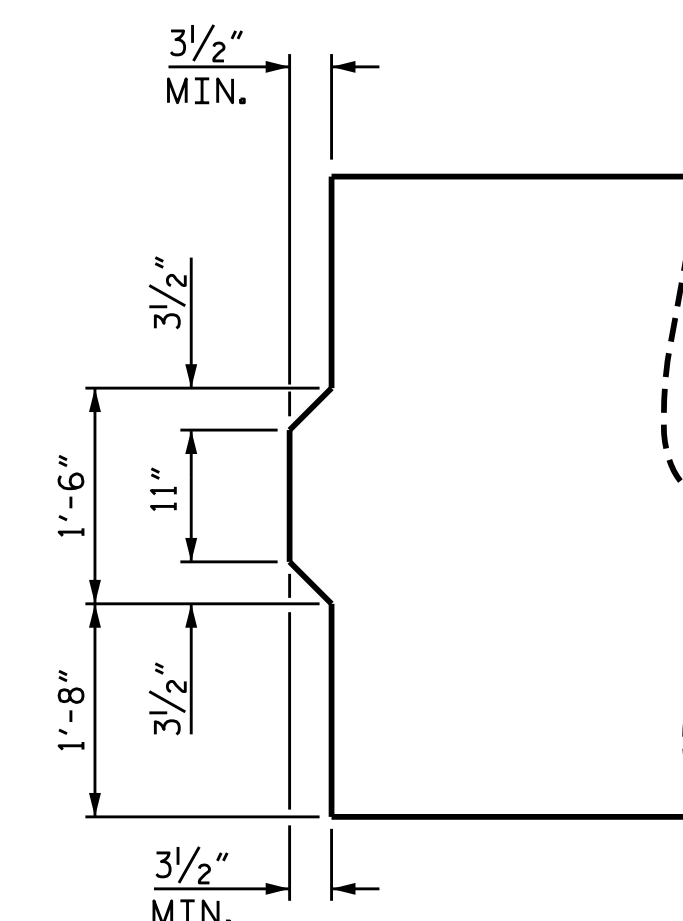


ELEVATION

▲ DRIVE END PILE WITH STAGE II
 ★ ELEVATIONS BETWEEN BRIDGE SEAT BUILDUPS ARE SHOWN AT THIS POINT (TYP.)



DETAIL "A"



DETAIL "B"

PROJECT NO. B-5136
CABARRUS COUNTY
 STATION: 21+74.92 -L-

SHEET 2 OF 5



STATE OF NORTH CAROLINA					DEPARTMENT OF TRANSPORTATION					SHEET NO.	
RALEIGH										S-69	
SUBSTRUCTURE										TOTAL SHEETS	
END BENT 2										75	
STAGE II											
REVISIONS											
NO.	BY:	DATE:	NO.	BY:	DATE:						
1			3								
2			4								

DRAWN BY : M.E. GILES DATE : 8/15/14
 CHECKED BY : M.K. BEARD DATE : 10/21/14
 DESIGN ENGINEER OF RECORD: H.A. LOCKLEAR DATE : 10/21/14

18-FEB-2015 14:04
 R:\Structures\Plans\B5136.SD.E2.01.dgn
 thcarroll