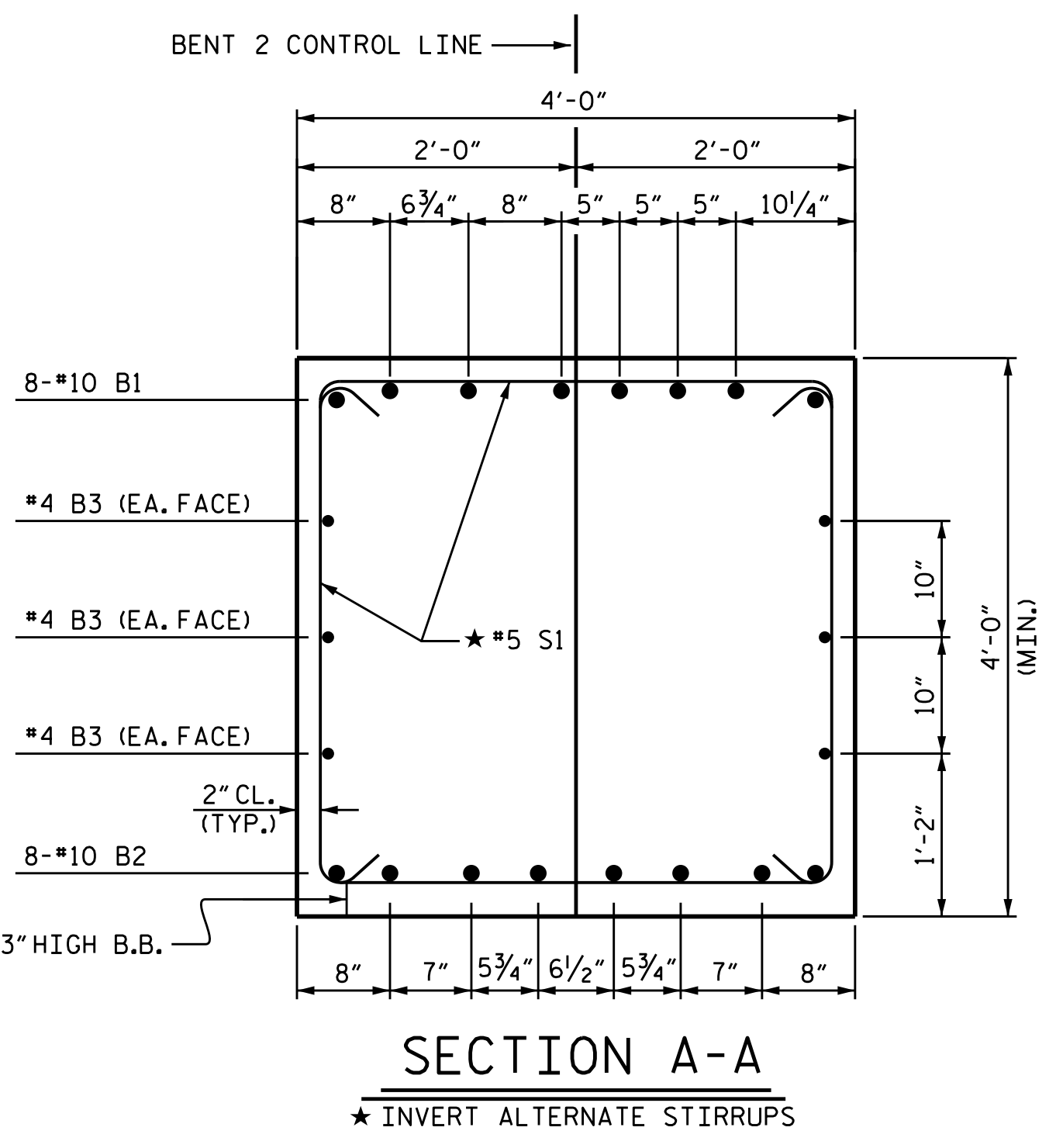
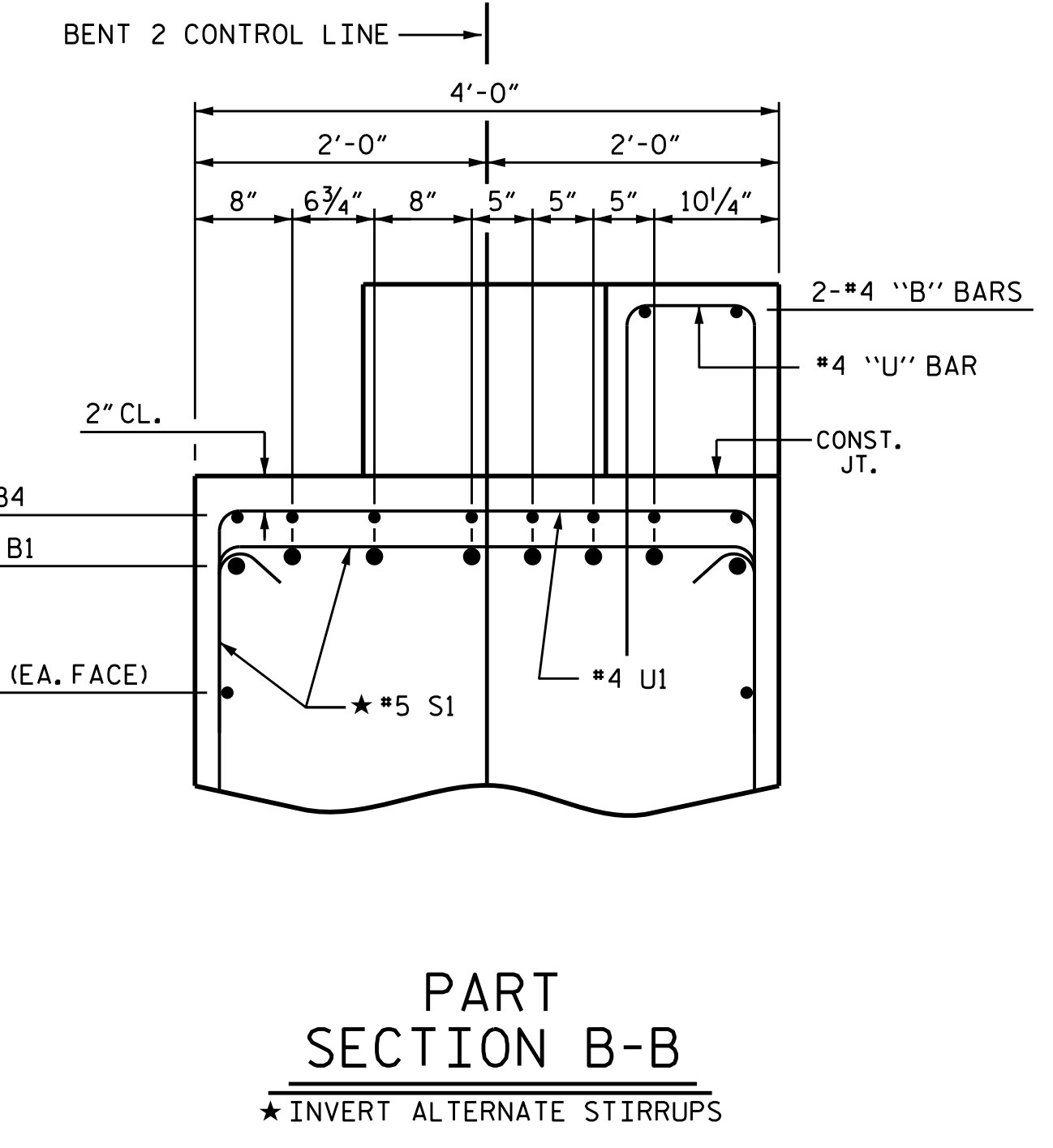
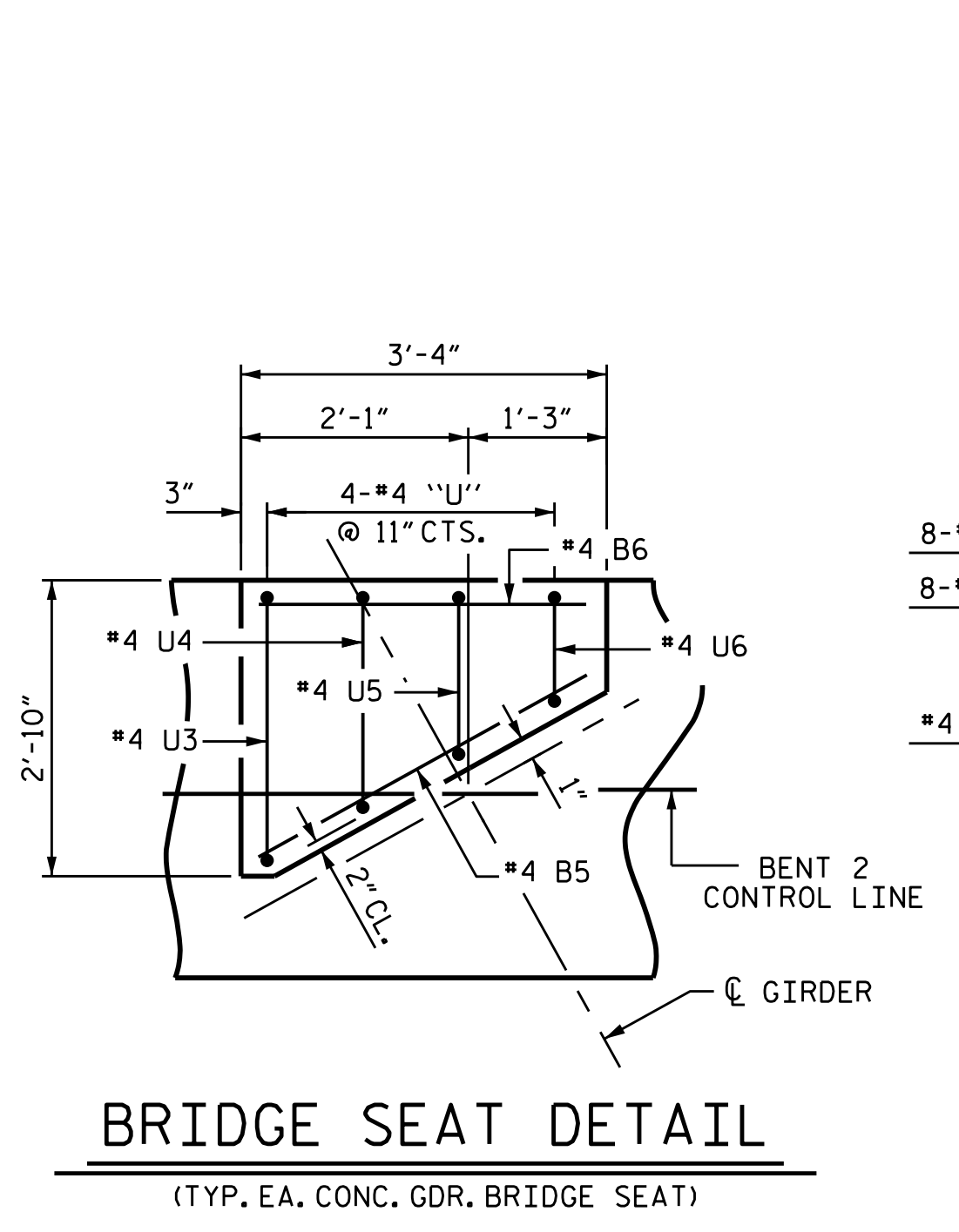
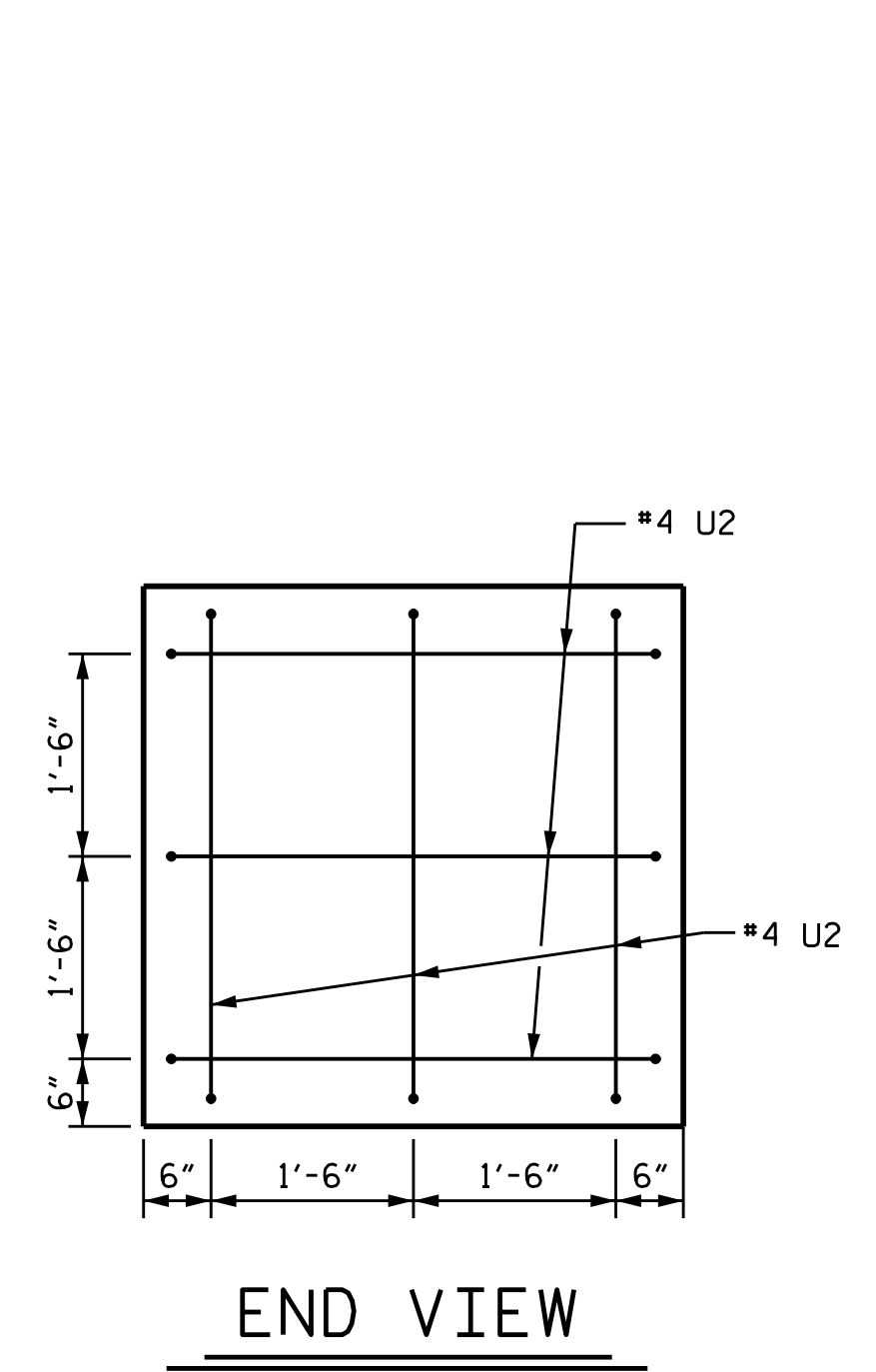


BILL OF MATERIAL					
BENT 2-STAGE II					
BAR NO.	NO.	SIZE	TYPE	LENGTH	WEIGHT
B1	8	#10		32'-2"	1,107
B2	8	#10	STR	29'-6"	1,016
B3	6	#4	STR	29'-6"	118
B4	8	#4	STR	3'-8"	20
B5	3	#4	STR	3'-5"	7
B6	3	#4	STR	3'-0"	6
M1	28	#10		9'-9"	1,175
S1	36	#5		11'-10"	444
T1	72	#7	STR	8'-3"	1,214
T2	36	#6	STR	8'-3"	446
U1	26	#4		6'-8"	116
U2	12	#4		6'-6"	52
U3	3	#4		7'-8"	15
U4	3	#4		7'-2"	14
U5	3	#4		6'-8"	13
U6	3	#4		6'-2"	12
V1	28	#10		30'-11"	3,725
REINFORCING STEEL					LBS. 9,500
SP-1	2	**	5	944'-9"	1,262
SPIRAL COLUMN REINFORCING STEEL					LBS. 1,262
CLASS A CONCRETE BREAKDOWN:					
POUR #1 (FOOTINGS)	C.Y.	19.9			
POUR #2 (COLUMNS)	C.Y.	14.4			
POUR #3 (CAP)	C.Y.	17.8			
POUR #4 (STEPS)	C.Y.	1.0			
TOTAL CLASS A CONCRETE	C.Y.	53.1			
HP 14X73 STEEL PILES					
No. 8			LIN. FT.	380	
FOUNDATION EXCAVATION					LUMP SUM

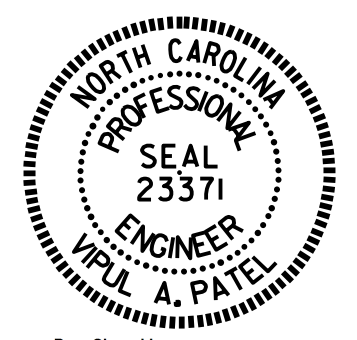


PROJECT NO. B-5136
CABARRUS COUNTY
 STATION: 21+74.92 -L-

SHEET 4 OF 6

STATE OF NORTH CAROLINA
 DEPARTMENT OF TRANSPORTATION
 RALEIGH

SUBSTRUCTURE
 BENT 2
 STAGE II



DRAWN BY : T. H. CARROLL DATE : 10/27/14
 CHECKED BY : V. A. PATEL DATE : 11/4/14
 DESIGN ENGINEER OF RECORD : H.A. LOCKLEAR DATE : 11/4/14

REVISIONS						SHEET NO.
NO.	BY:	DATE:	NO.	BY:	DATE:	S-65
1			3			TOTAL SHEETS
2			4			75