

**NOTES**

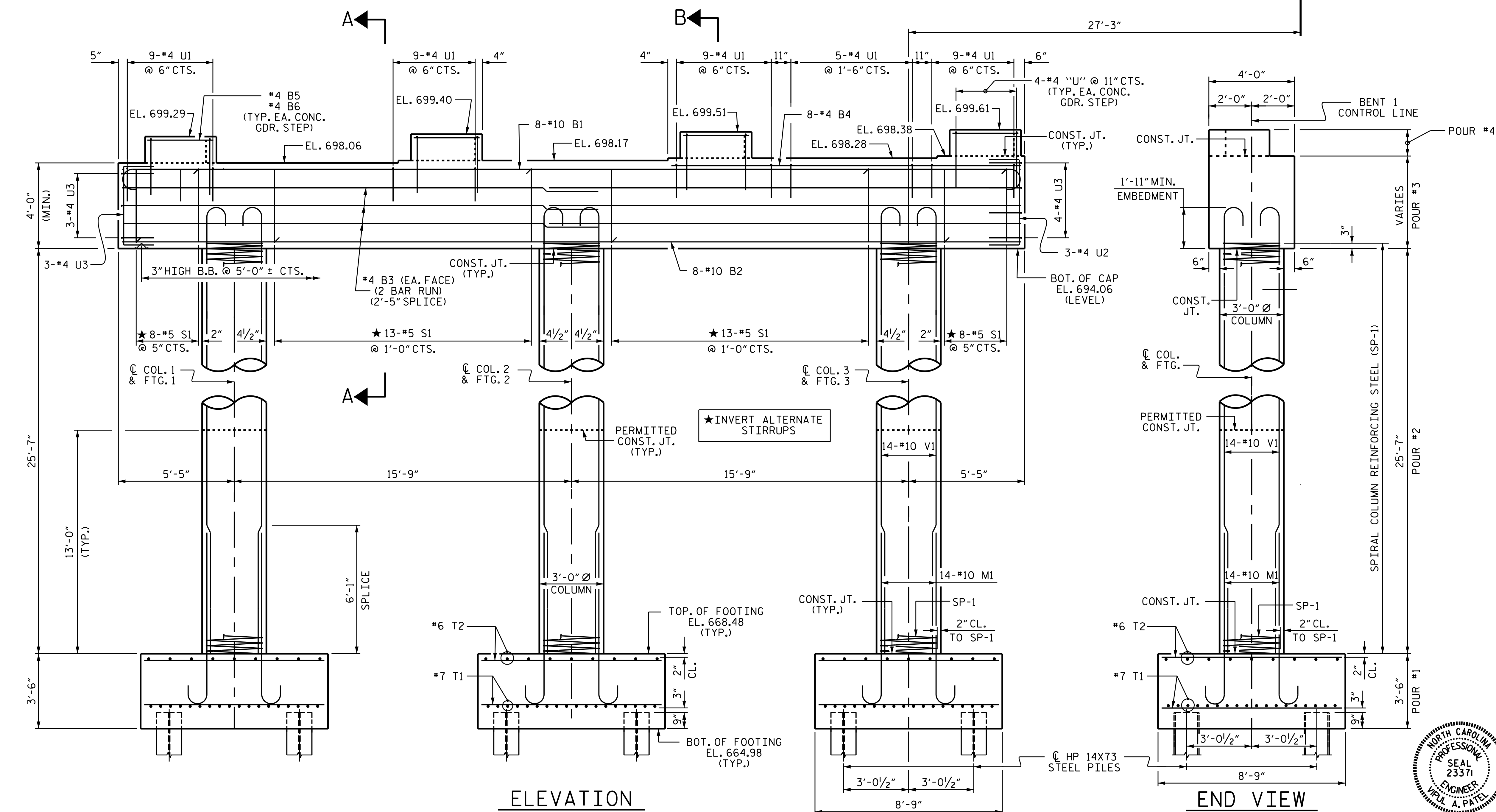
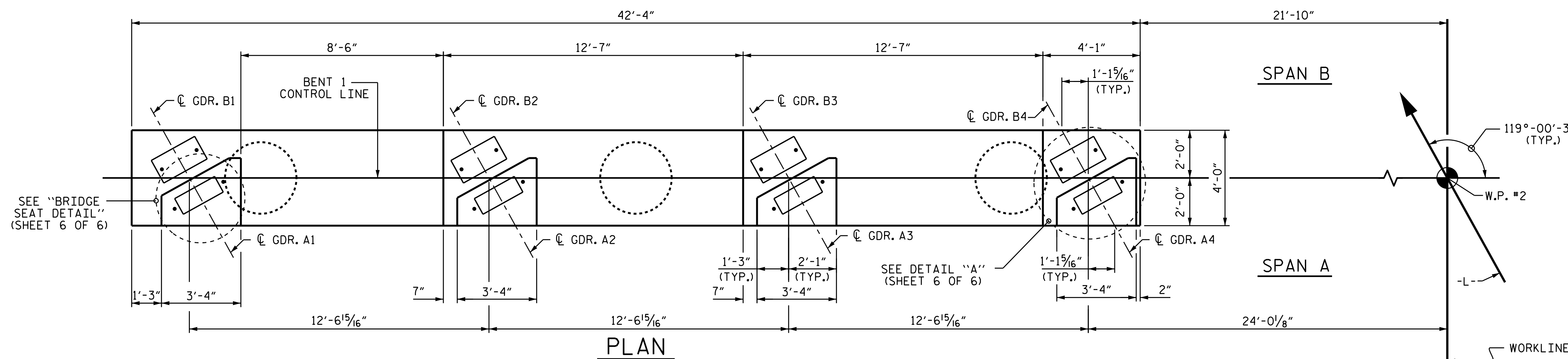
HOOKS ON "V" BARS MAY BE TURNED AS NECESSARY FOR PLACING REINFORCING STEEL.

STIRRUPS AND "U" BARS IN CAP MAY BE SHIFTED AS NECESSARY TO CLEAR ANCHOR BOLTS.

FOR PILE SPLICE DETAILS, SEE END BENT 1, SHEET 6 OF 6.

THE TOP SURFACE AREAS OF THE BENT CAPS SHALL BE CURED IN ACCORDANCE WITH THE STANDARD SPECIFICATIONS EXCEPT THE MEMBRANE CURING COMPOUND METHOD SHALL NOT BE USED.

EPOXY COAT THE BENT CAP EXCEPT THE AREA UNDERNEATH THE ELASTOMERIC BEARING PADS.

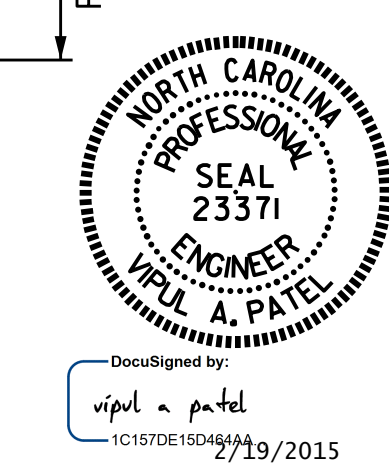


**ELEVATION**  
REINFORCING STEEL, DIMENSIONS AND DETAILS ARE TYPICAL FOR EACH COLUMN AND FOOTING UNLESS OTHERWISE NOTED.

**END VIEW**  
REINFORCING STEEL, DIMENSIONS AND DETAILS ARE TYPICAL FOR EACH COLUMN AND FOOTING UNLESS OTHERWISE NOTED.

PROJECT NO. B-5136  
CABARRUS COUNTY  
 STATION: 21+74.92 -L-  
 SHEET 5 OF 6

STATE OF NORTH CAROLINA DEPARTMENT OF TRANSPORTATION RALEIGH						SHEET NO. S-60
SUBSTRUCTURE BENT 1 STAGE III						
REVISIONS						TOTAL SHEETS 75
NO.	BY:	DATE:	NO.	BY:	DATE:	
1			3			
2			4			



DRAWN BY: J.P. MCCARTHA DATE: 8/31/14  
 CHECKED BY: T.H. CARROLL DATE: 10/1/14  
 DESIGN ENGINEER OF RECORD: H.A. LOCKLEAR DATE: 10/1/14