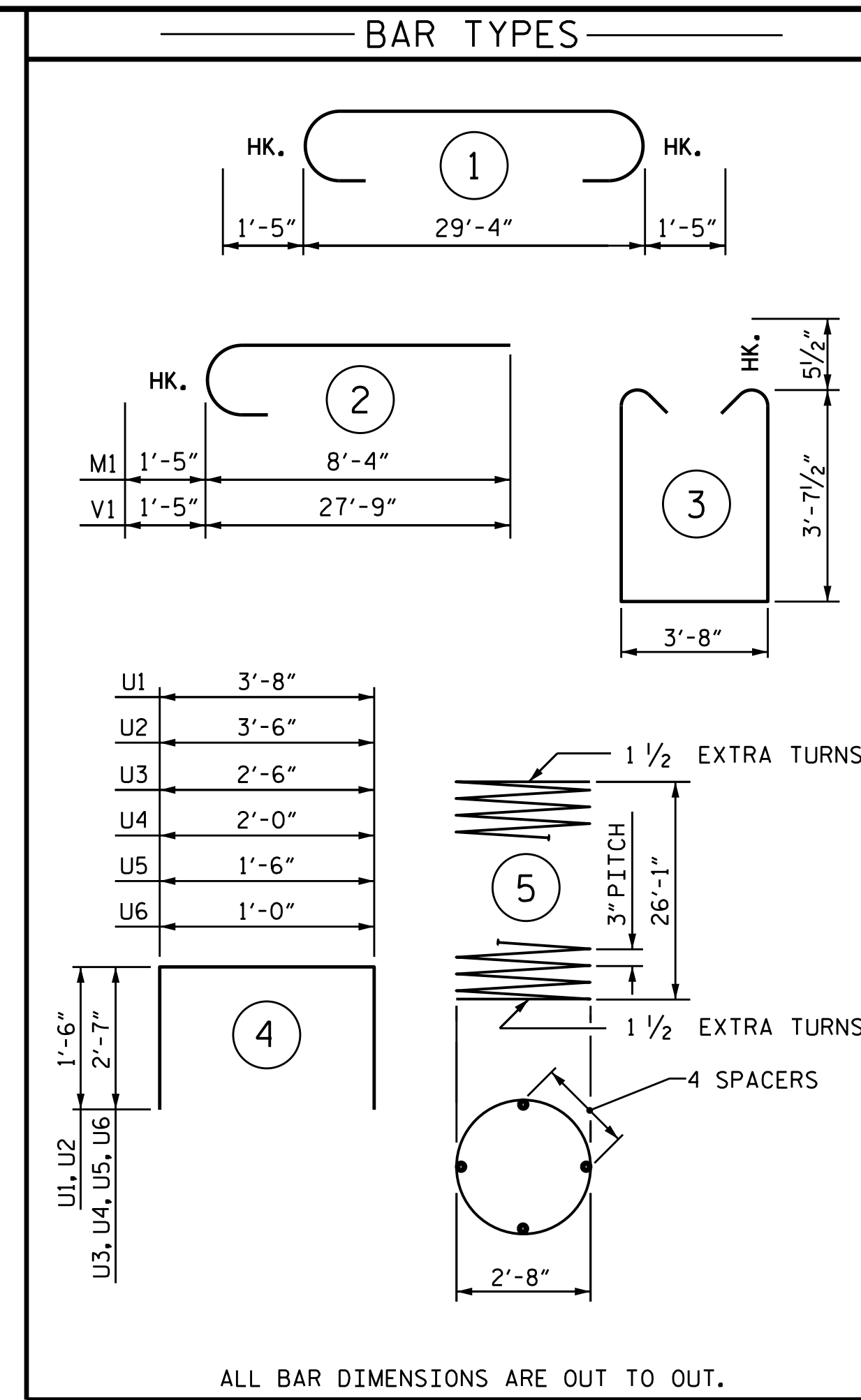
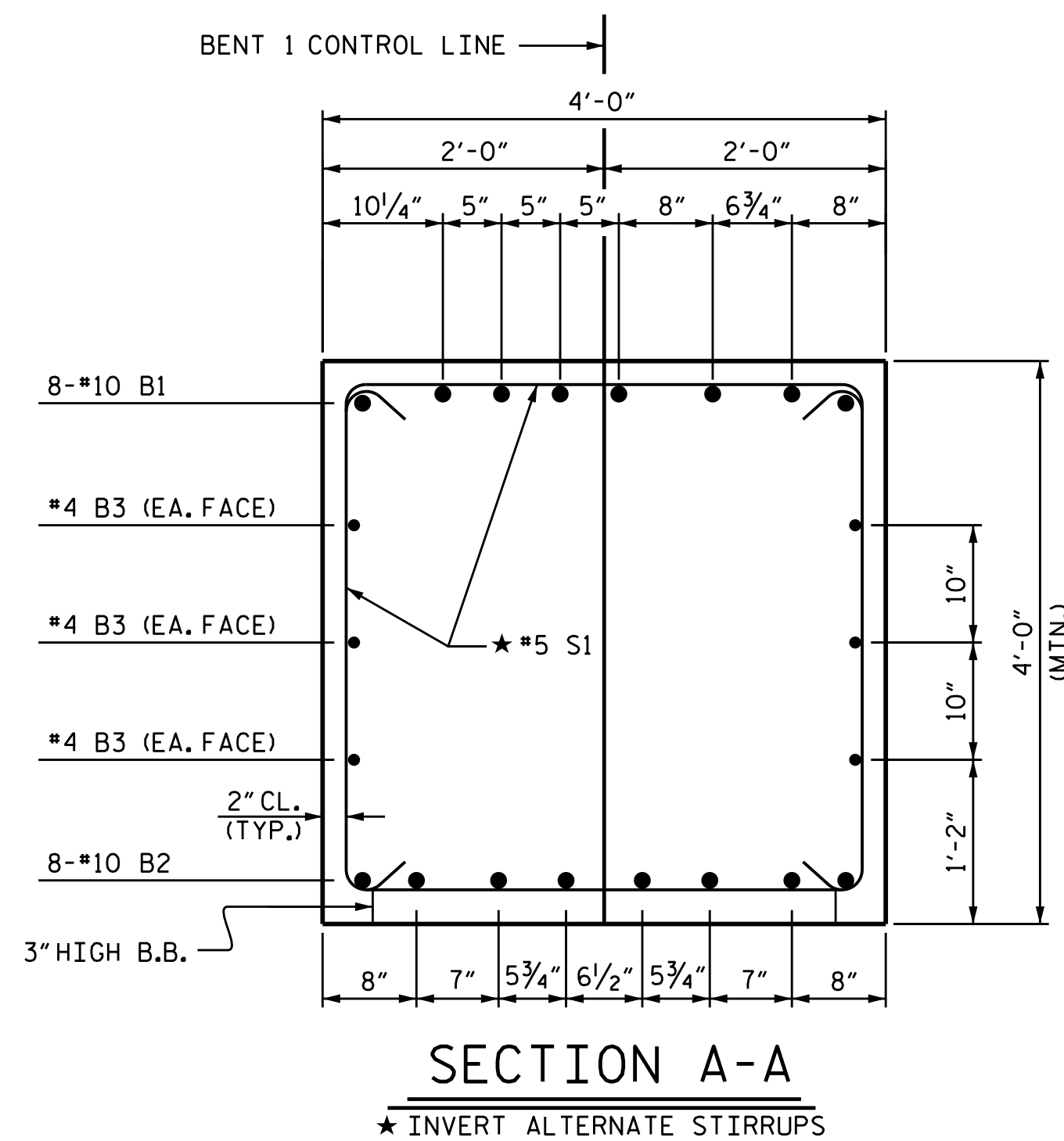
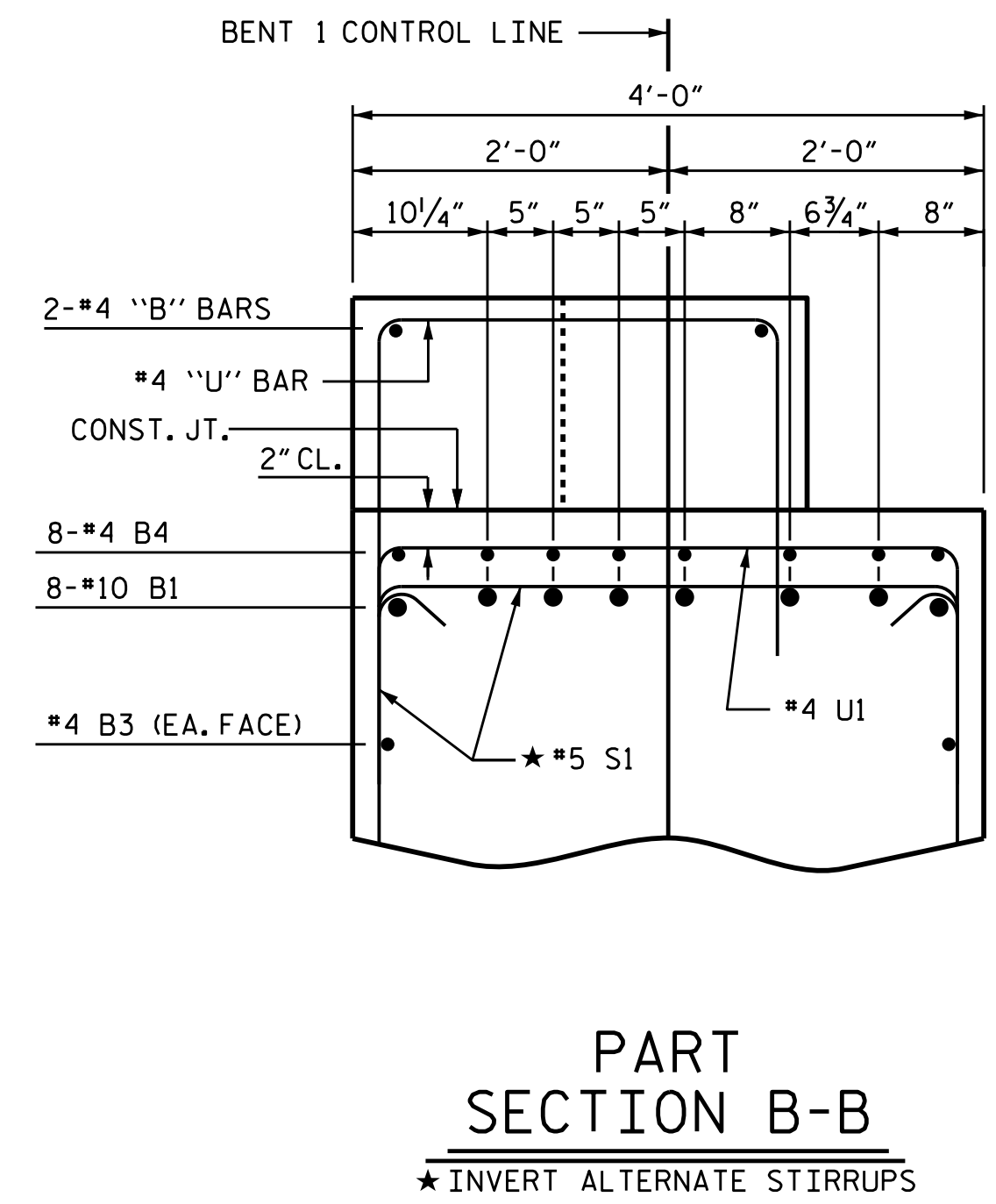
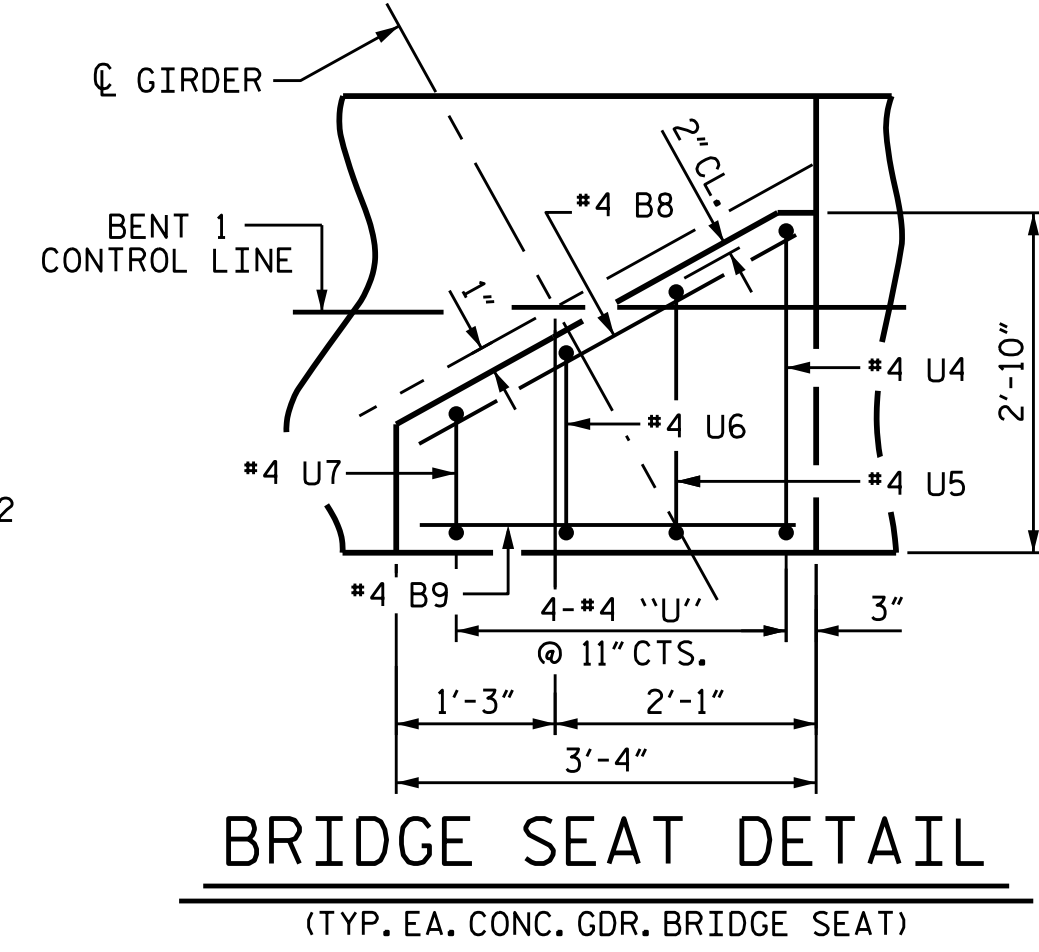
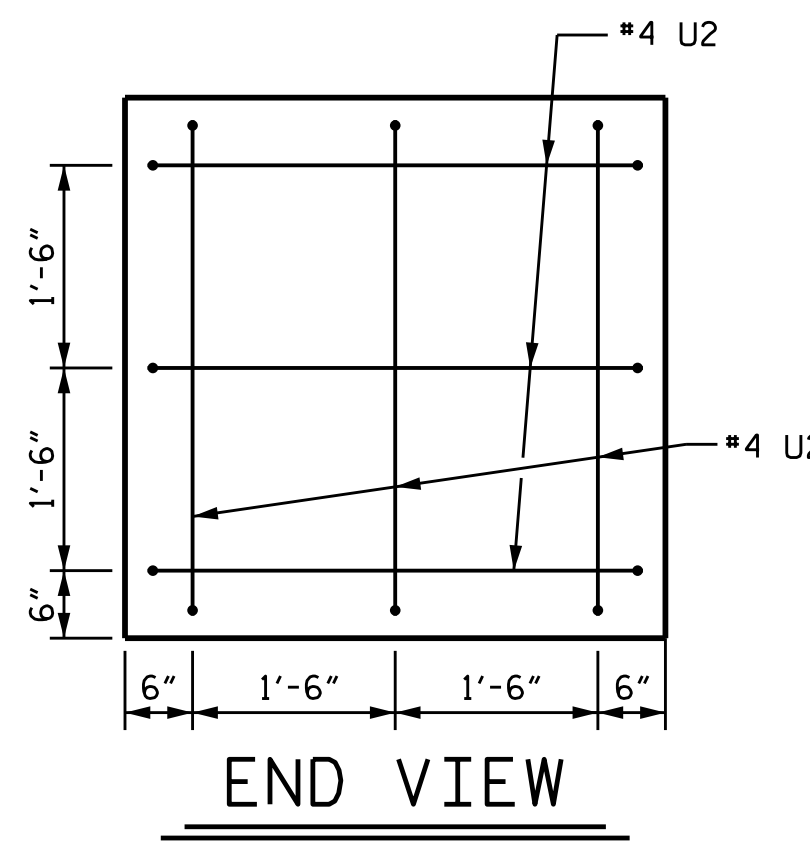


**PLAN OF FOOTINGS & COLUMNS**

PILES, REINFORCING STEEL, DIMENSIONS AND DETAILS ARE TYPICAL FOR EACH COLUMN AND FOOTING UNLESS OTHERWISE NOTED

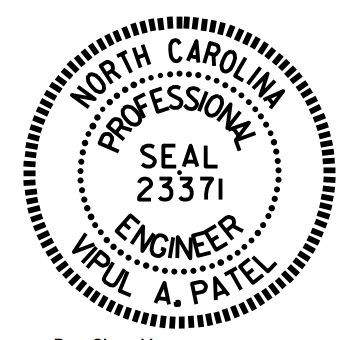


BILL OF MATERIAL					
BENT 1-STAGE II					
BAR NO.	NO.	SIZE	TYPE	LENGTH	WEIGHT
B1	8	#10		32'-2"	1,107
B2	8	#10	STR	29'-6"	1,016
B3	6	#4	STR	29'-6"	118
B4	8	#4	STR	3'-8"	20
B5	3	#4	STR	3'-5"	7
B6	3	#4	STR	3'-0"	6
M1	28	#10		9'-9"	1,175
S1	36	#5		11'-10"	444
T1	72	#7	STR	8'-3"	1,214
T2	36	#6	STR	8'-3"	446
U1	26	#4		6'-8"	116
U2	12	#4		6'-6"	52
U3	3	#4		7'-8"	15
U4	3	#4		7'-2"	14
U5	3	#4		6'-8"	13
U6	3	#4		6'-2"	12
V1	28	#10		29'-2"	3,514
REINFORCING STEEL				LBS.	9,289
SP-1	2	**	5	887'-0"	1,185
SPIRAL COLUMN REINFORCING STEEL				LBS.	1,185
CLASS A CONCRETE BREAKDOWN:					
POUR #1 (FOOTINGS)				C.Y.	19.9
POUR #2 (COLUMNS)				C.Y.	13.5
POUR #3 (CAP)				C.Y.	18.1
POUR #4 (STEPS)				C.Y.	1.0
TOTAL CLASS A CONCRETE				C.Y.	52.5
HP 14X73 STEEL PILES					
No. 8				LIN. FT.	460
FOUNDATION EXCAVATION				LUMP SUM	



PROJECT NO. B-5136  
CABARRUS COUNTY  
 STATION: 21+74.92 -L-

SHEET 4 OF 6  
 STATE OF NORTH CAROLINA  
 DEPARTMENT OF TRANSPORTATION  
 RALEIGH  
 SUBSTRUCTURE  
 BENT 1  
 STAGE II



DRAWN BY : J.P. MCCARTHA DATE : 8/31/14  
 CHECKED BY : T.H. CARROLL DATE : 10/1/14  
 DESIGN ENGINEER OF RECORD: H.A. LOCKLEAR DATE : 10/1/14

REVISIONS						SHEET NO.
NO.	BY:	DATE:	NO.	BY:	DATE:	S-59
1			3			TOTAL SHEETS
2			4			75