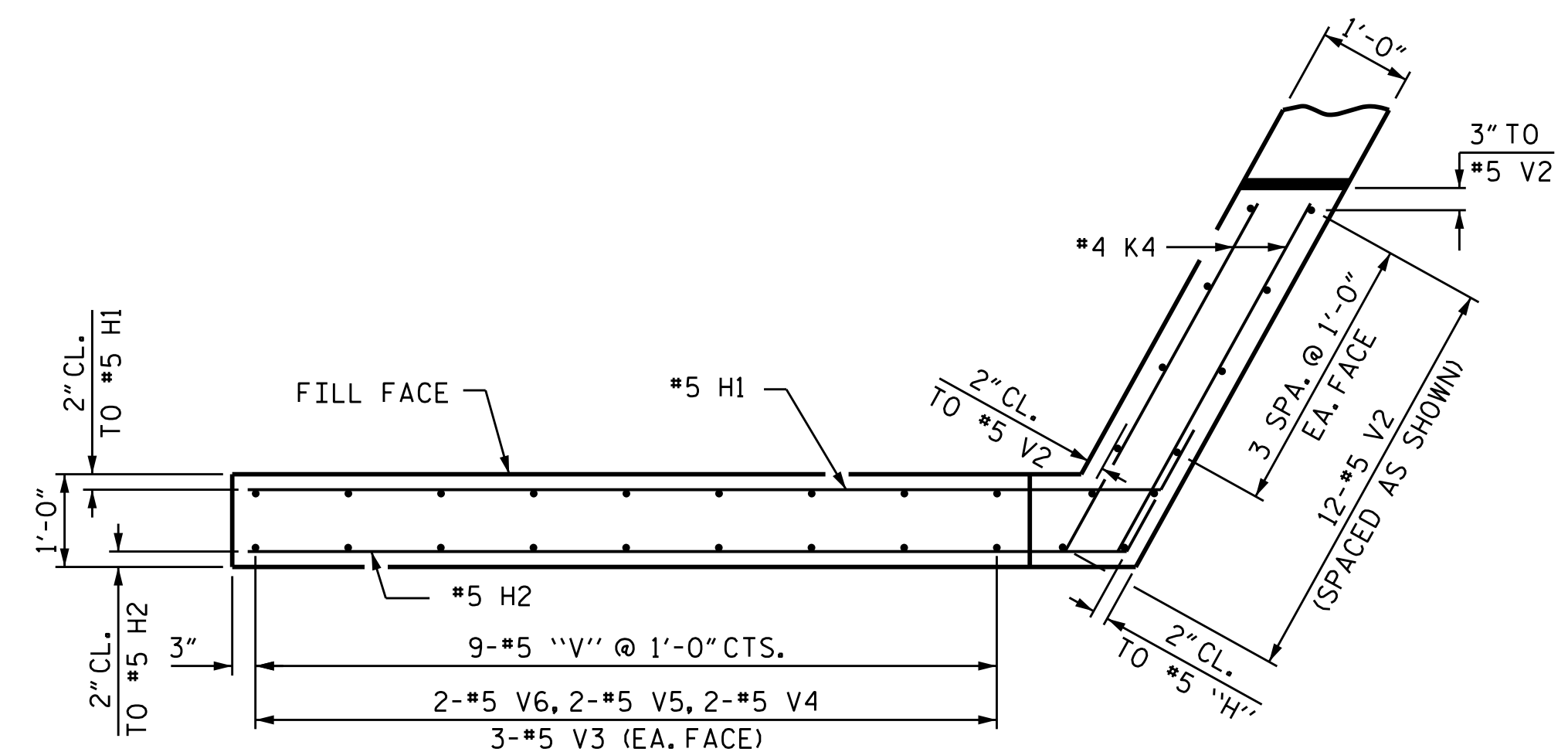
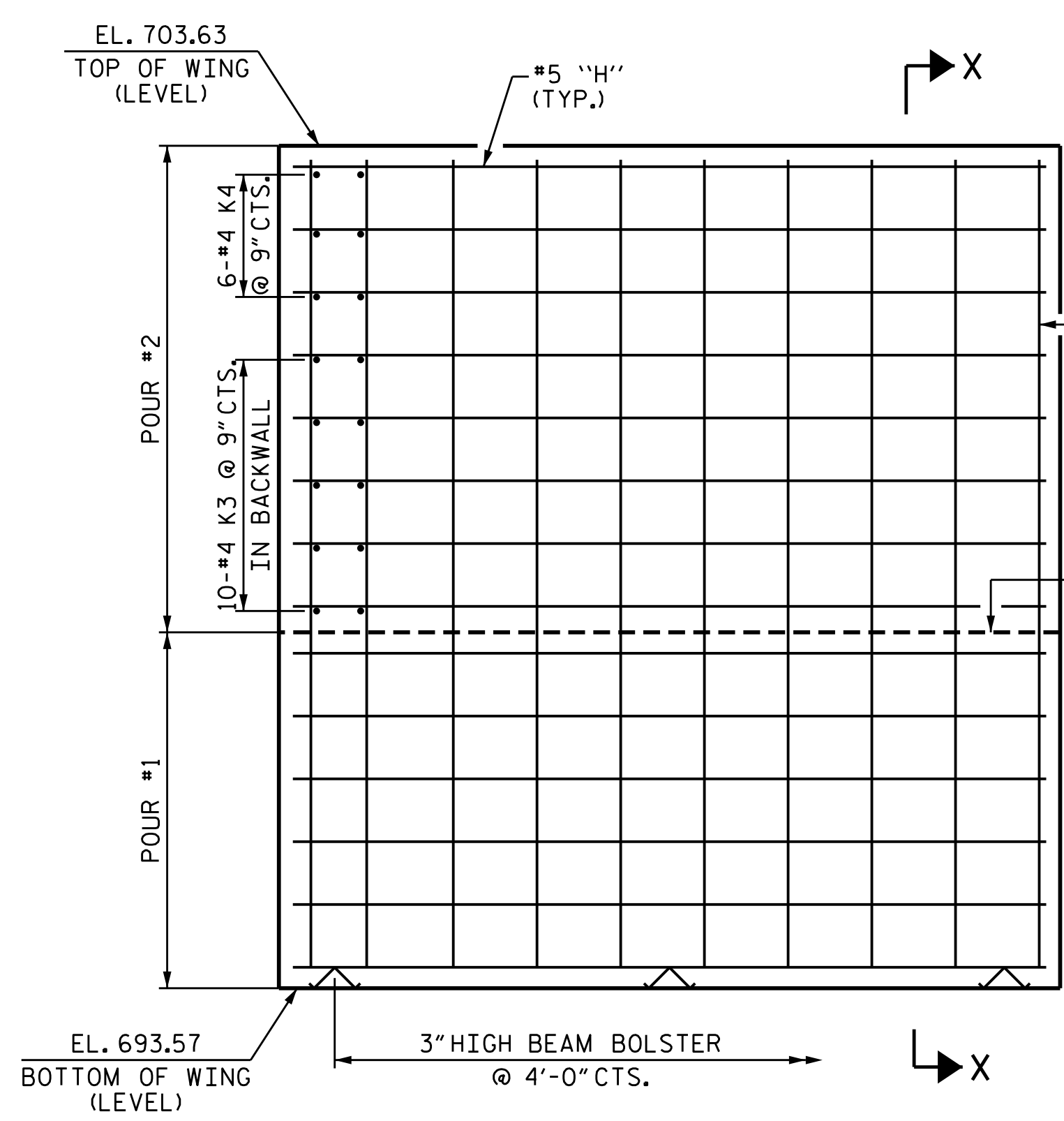


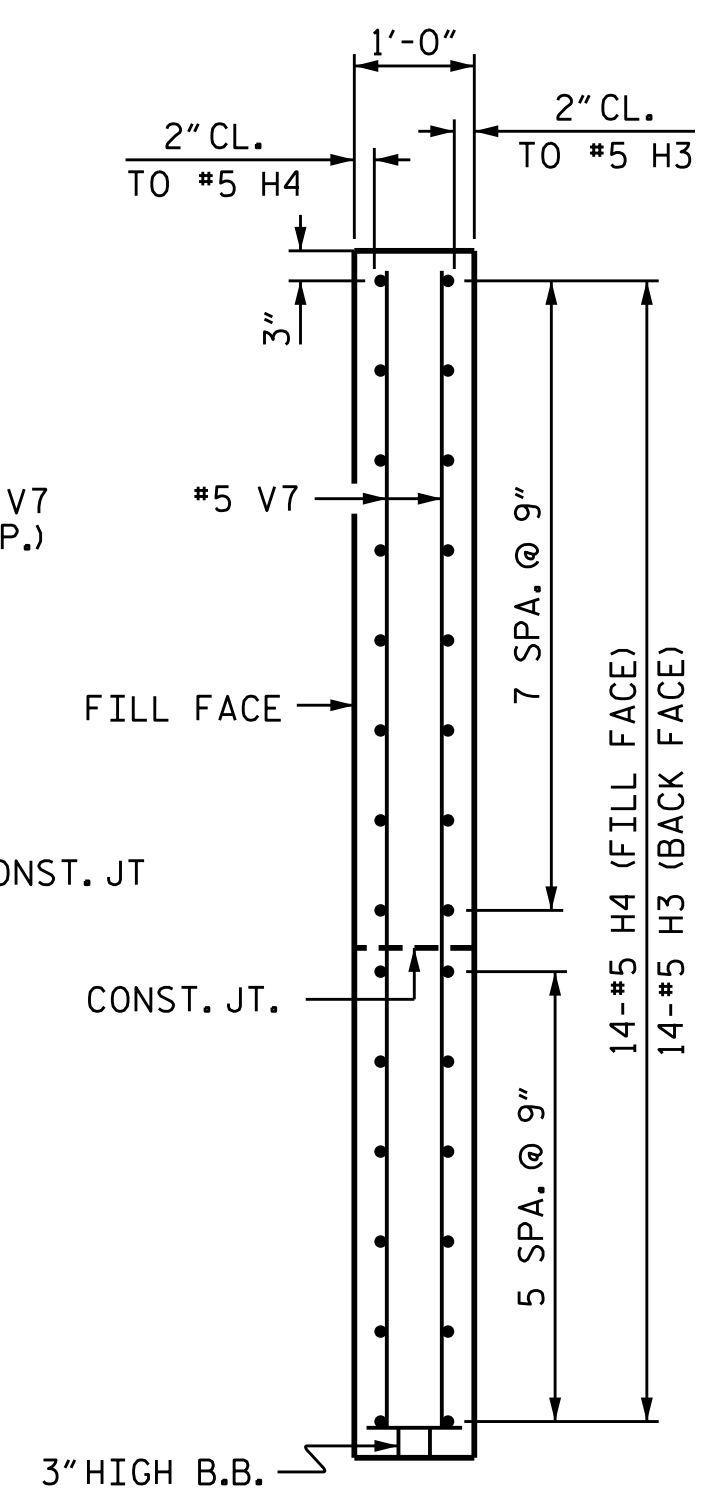
PLAN OF LEFT WING (W2)



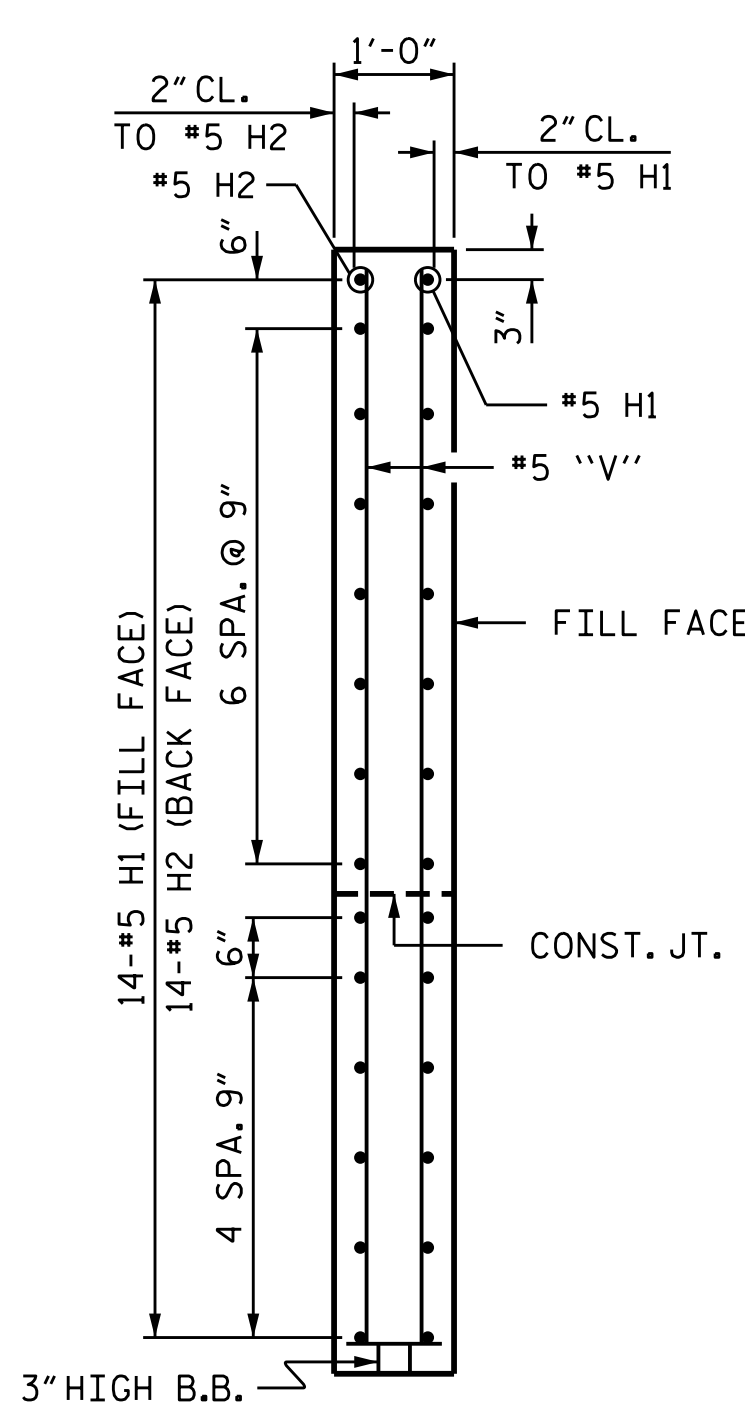
PLAN OF RIGHT WING (W1)



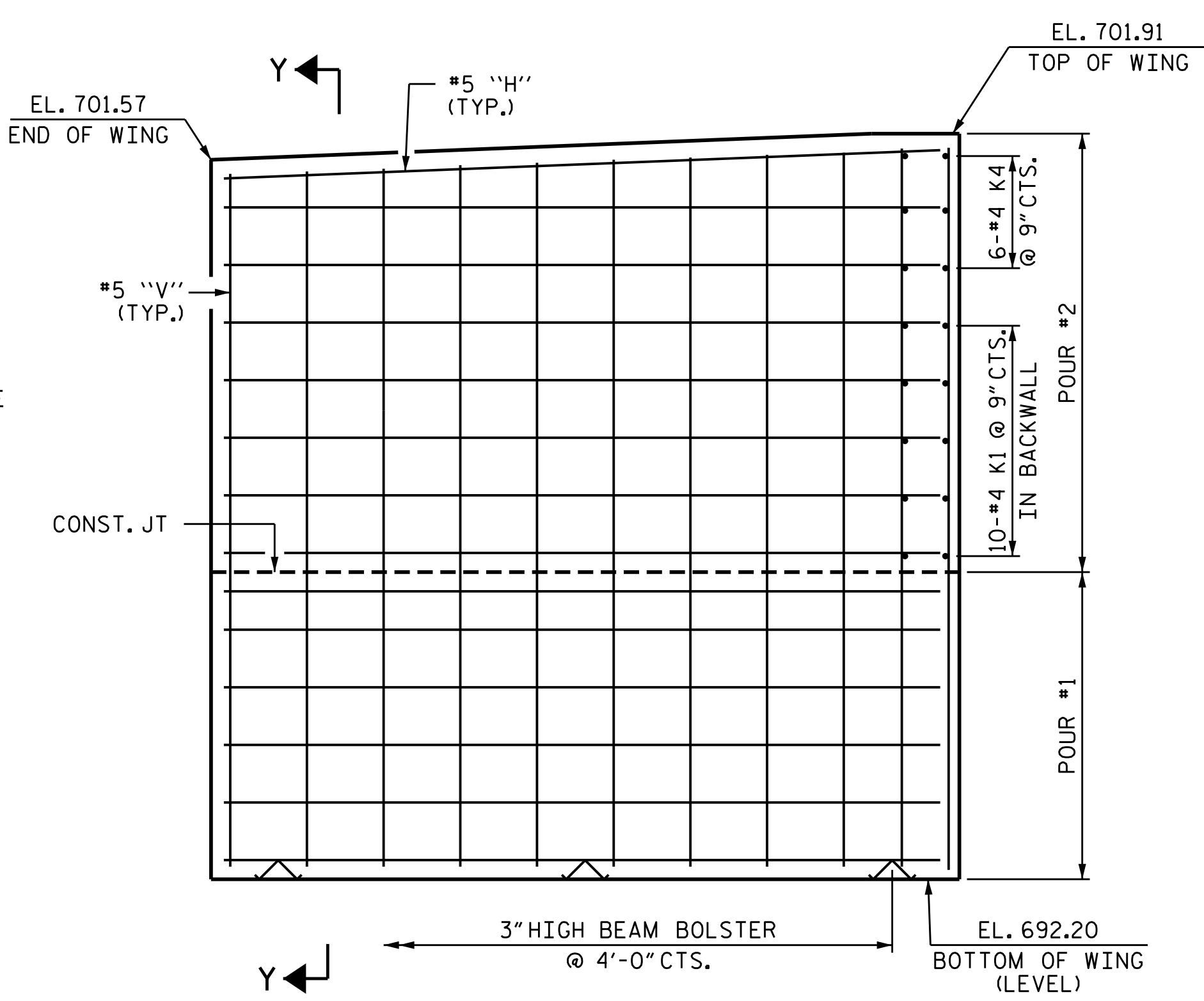
ELEVATION OF LEFT WING (W2)
(STAGE III)



SECTION X-X
(STAGE III)



SECTION Y-Y
(STAGE I)



ELEVATION OF RIGHT WING (W1)
(STAGE I)

PROJECT NO. B-5136
CABARRUS COUNTY
 STATION: 21+74.92 -L-

SHEET 5 OF 6

STATE OF NORTH CAROLINA
 DEPARTMENT OF TRANSPORTATION
 RALEIGH
 SUBSTRUCTURE
 END BENT 1



DRAWN BY: M.E.GILES DATE: 8/4/14
 CHECKED BY: M.K. BEARD DATE: 10/16/14
 DESIGN ENGINEER OF RECORD: H.A. LOCKLEAR DATE: 10/16/14

REVISIONS						SHEET NO.
NO.	BY:	DATE:	NO.	BY:	DATE:	S-54
1			3			TOTAL SHEETS
2			4			75