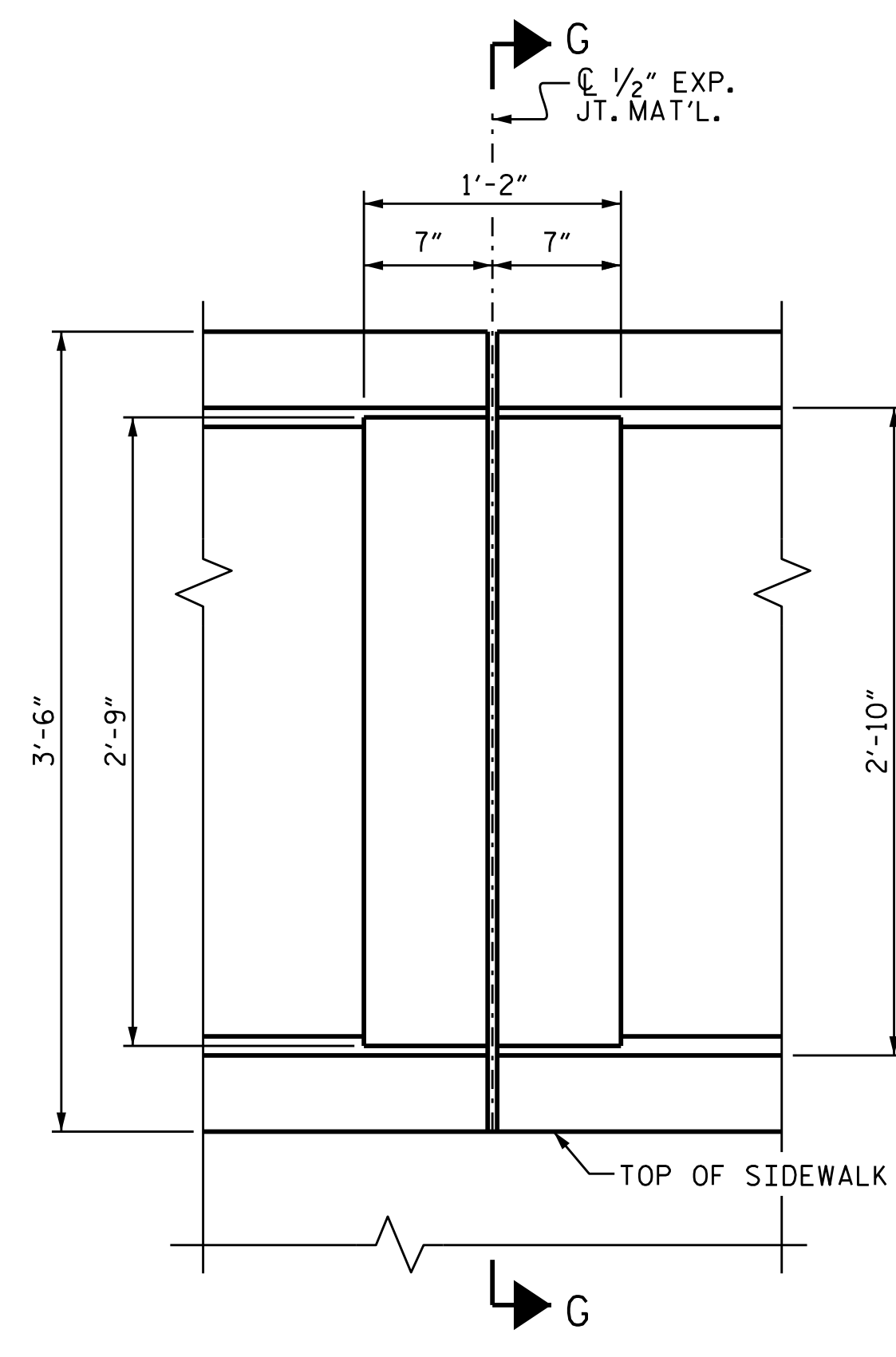
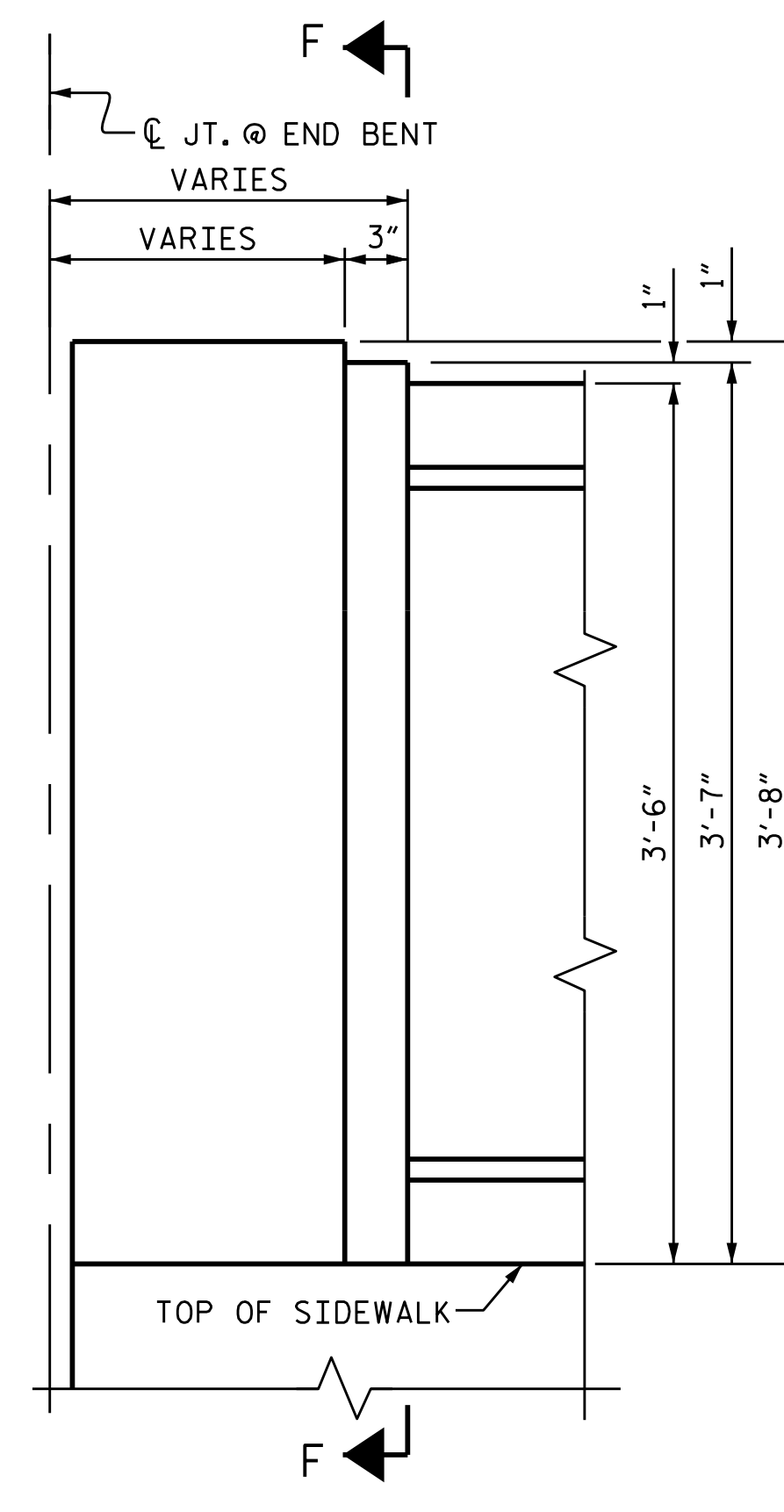


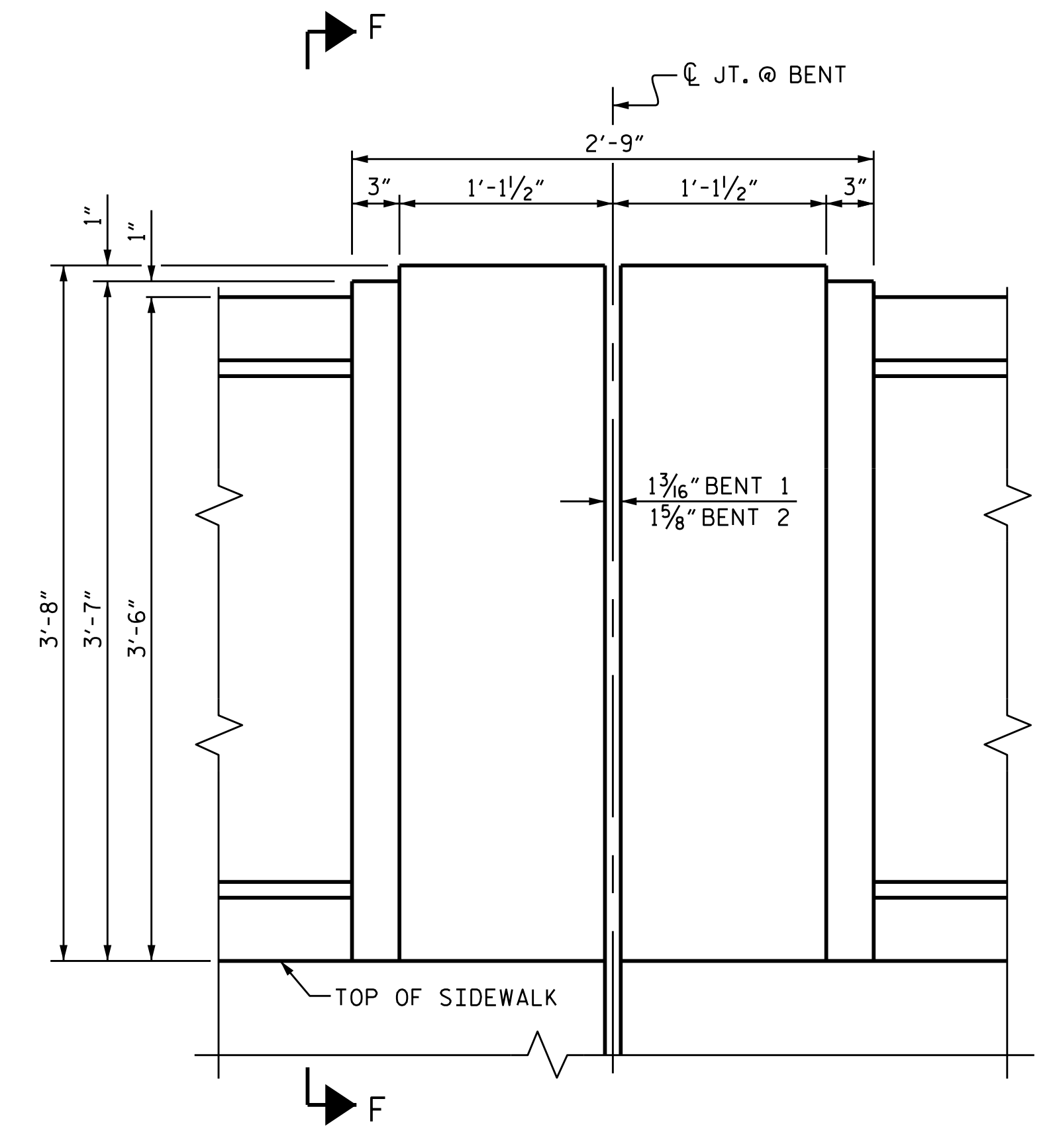
WINDOW DETAIL



SPAN PILASTER

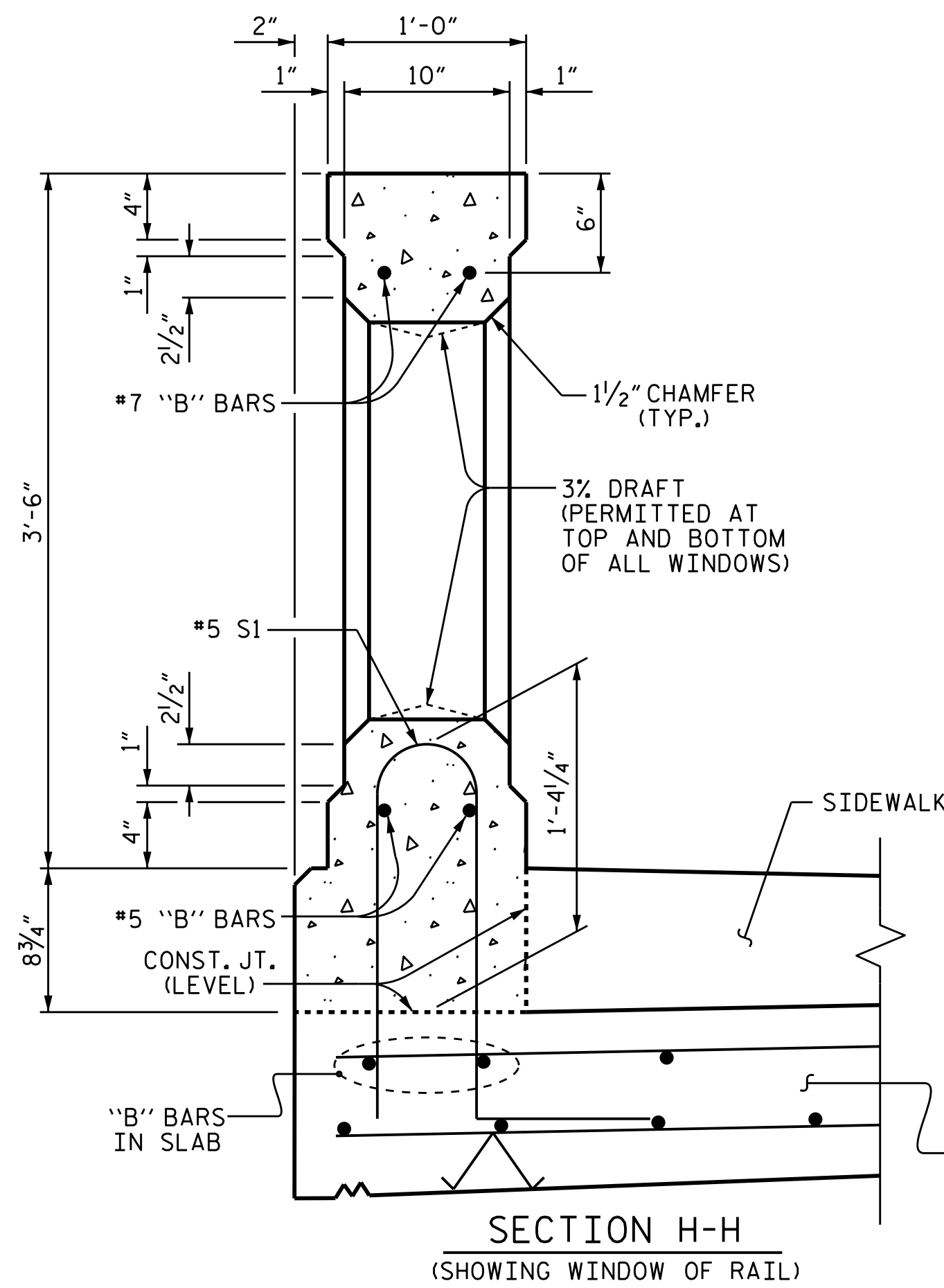


END BENT PILASTER

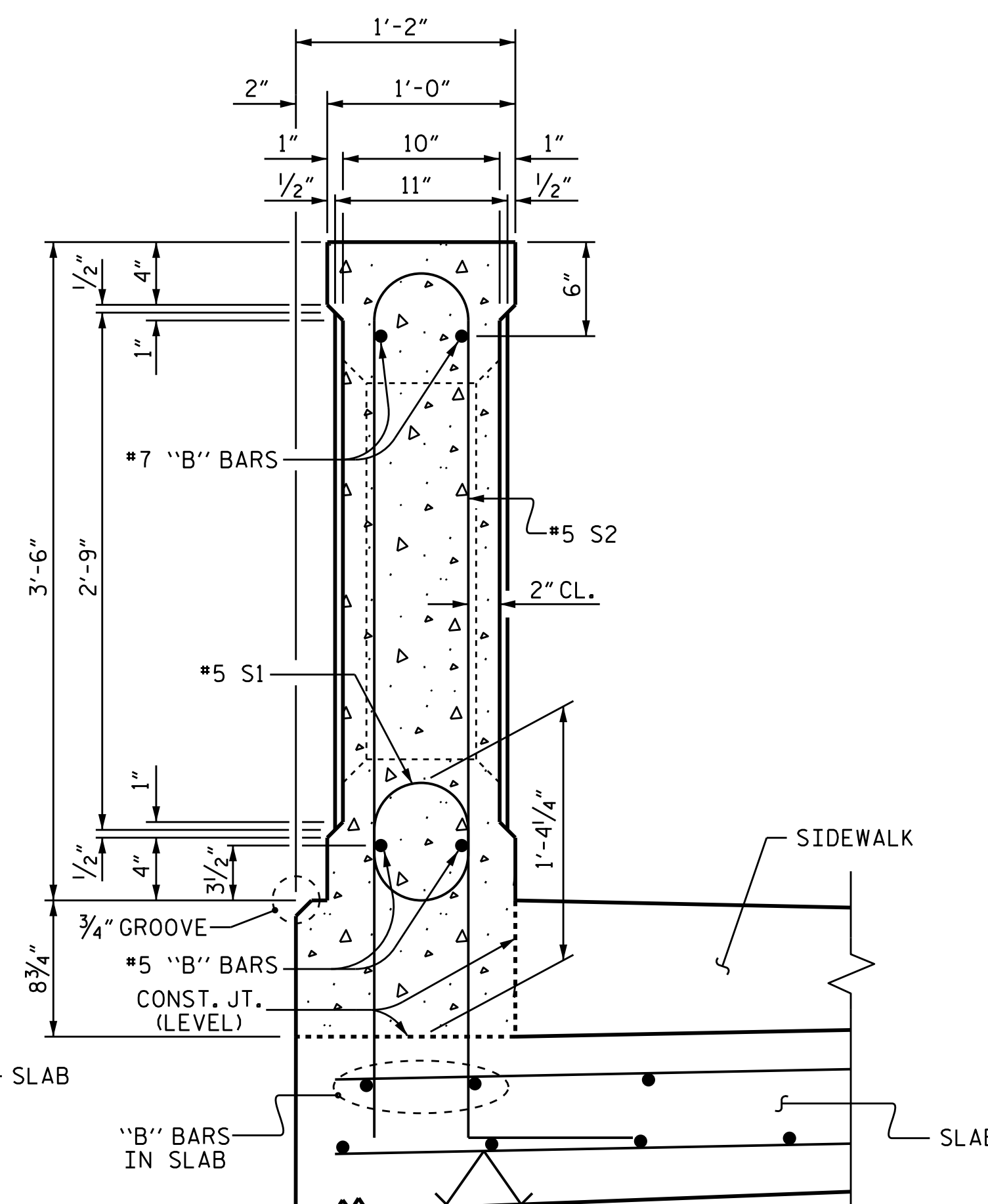


BENT PILASTER

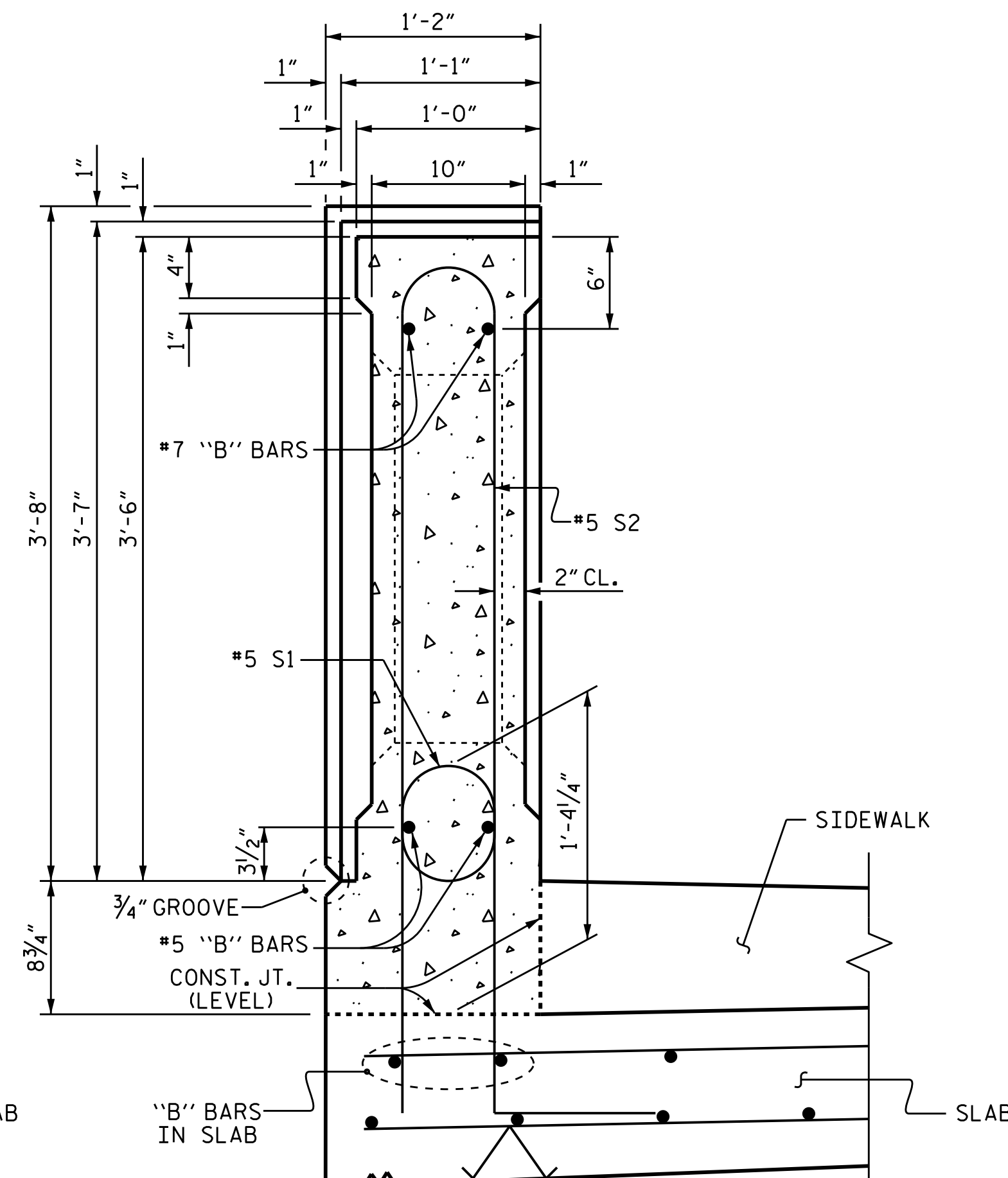
EXTERIOR PILASTER ELEVATIONS



SECTION H-H
(SHOWING WINDOW OF RAIL)



SECTION G-G
(SHOWING SPAN PILASTER)



SECTION F-F
(SHOWING END BENT & BENT PILASTER)

PROJECT NO. B-5136
CABARRUS COUNTY
 STATION: 21+74.92 -L-

SHEET 3 OF 5

STATE OF NORTH CAROLINA
 DEPARTMENT OF TRANSPORTATION
 RALEIGH
 STANDARD
 CLASSIC CONCRETE
 BRIDGE RAIL WITH
 SIDEWALK



DRAWN BY: T. H. CARROLL DATE: 7/29/14
 CHECKED BY: P. S. ADKINS DATE: 8/12/14
 DESIGN ENGINEER OF RECORD: V. A. PATEL DATE: 1/5/15

18-FEB-2015 14:03
 R:\Structures\Plans\B5136.SD_BR_01.dgn
 thcarroll

| REVISIONS | | | | | | SHEET NO. |
|-----------|-----|-------|-----|-----|-------|--------------|
| NO. | BY: | DATE: | NO. | BY: | DATE: | S-37 |
| 1 | | | 3 | | | TOTAL SHEETS |
| 2 | | | 4 | | | 75 |

STD. No. CCR2