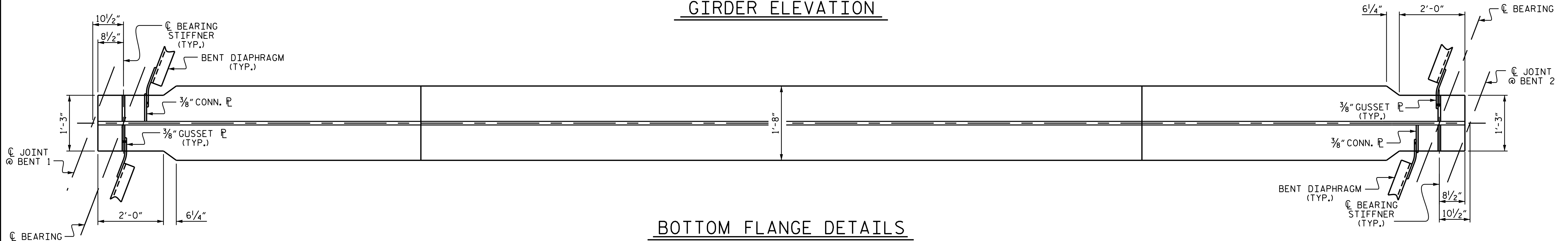
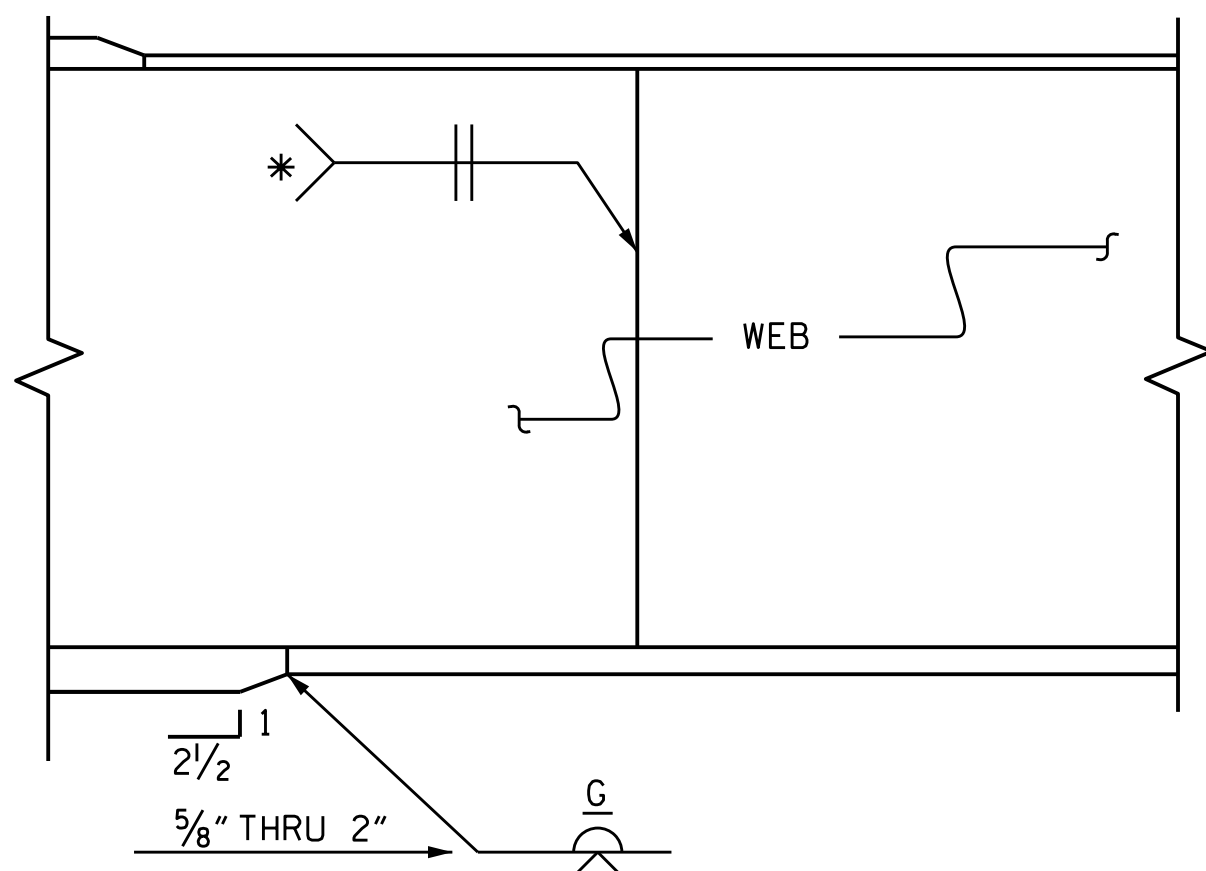


GIRDER ELEVATION

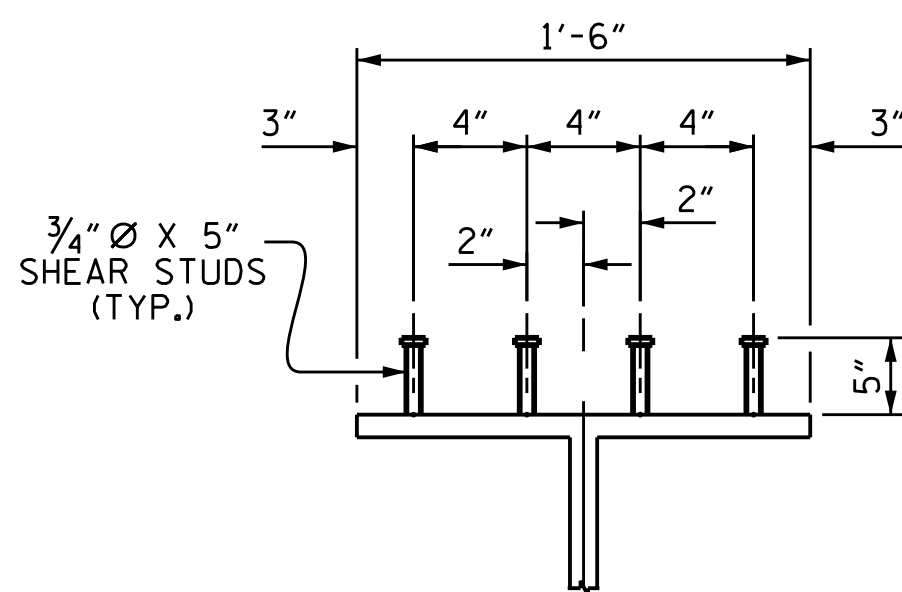


BOTTOM FLANGE DETAILS

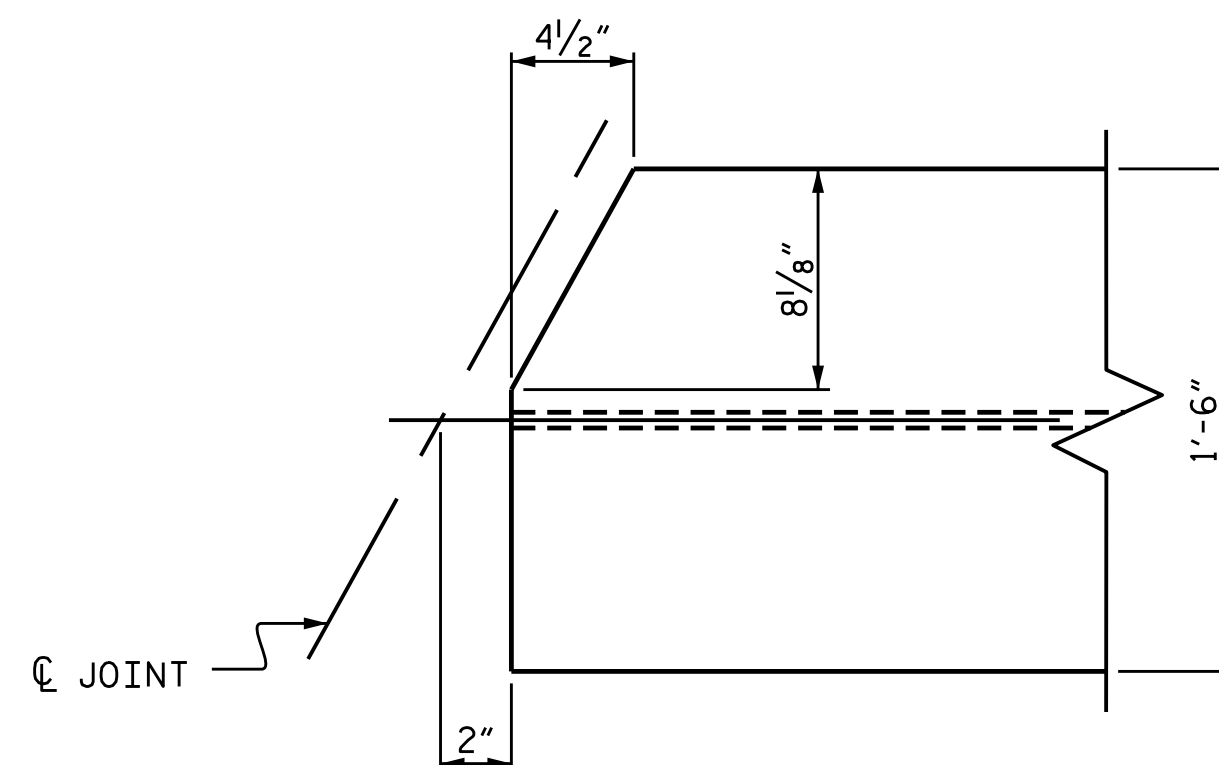


TYPICAL FLANGE AND WEB BUTT JOINT

* GRIND SMOOTH AND FLUSH ON OUTER FACE OF EXTERIOR GIRDERS



SHEAR STUD DETAILS



TOP FLANGE CLIP

BENT 1 SHOWN, BENT 2 SIMILAR BY ROTATION

PROJECT NO. B-5136
CABARRUS COUNTY
 STATION: 21+74.92 -L-

SHEET 1 OF 3



STATE OF NORTH CAROLINA DEPARTMENT OF TRANSPORTATION RALEIGH					
SUPERSTRUCTURE STRUCTURAL STEEL DETAILS					
SPAN B					
REVISIONS					SHEET NO.
NO.	BY:	DATE:	NO.	BY:	DATE:
1			3		
2			4		
TOTAL SHEETS					75

DRAWN BY : I. H. CARROLL DATE : 5/30/14
 CHECKED BY : H. A. LOCKLEAR DATE : 10/6/14
 DESIGN ENGINEER OF RECORD : V. A. PATEL DATE : 1/13/15