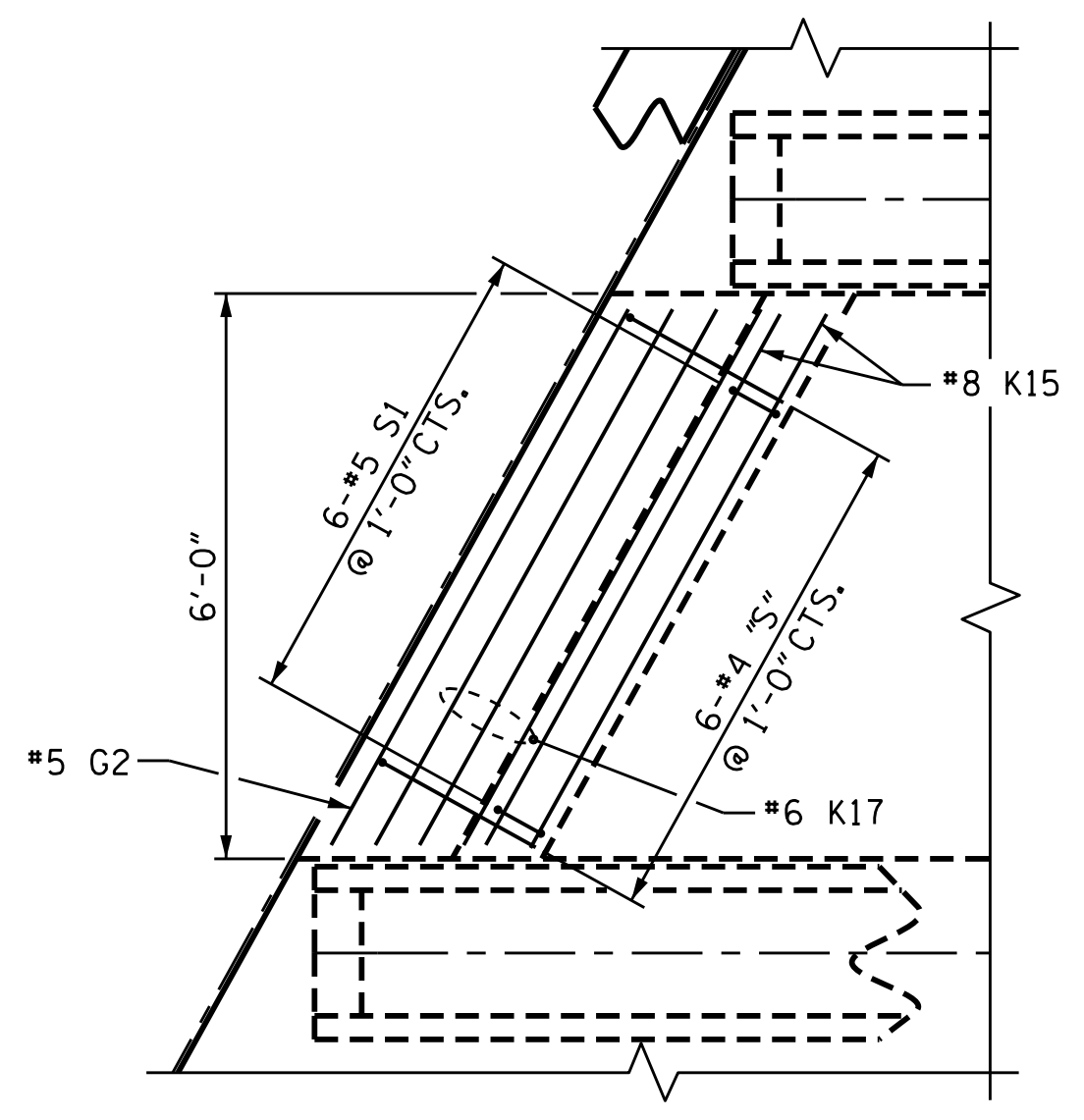


● DOWELS SHALL BE PLACED IN THE SAME HORIZONTAL PLANE AS THE TOP AND BOTTOM SLAB REINFORCING STEEL.

THE QUANTITY OF #4 JI BARS ON THE BILL OF MATERIAL IS BASED ON 1'-0" CENTERS. JI BARS SHALL BE PLACED AT EACH VERTICAL STUD ANCHOR. IN THE EVENT THAT THE NUMBER OF VERTICAL STUD ANCHORS EXCEEDS THE NUMBER OF JI BARS SPECIFIED, ADDITIONAL JI BARS WILL NOT BE REQUIRED.

SPAN A



DETAIL "B"
END BENT 1 SHOWN, BENT 2 SIMILAR.

PROJECT NO. B-5136
CABARRUS COUNTY
 STATION: 12+74.92 -L-

SHEET 4 OF 9

STATE OF NORTH CAROLINA DEPARTMENT OF TRANSPORTATION RALEIGH		SUPERSTRUCTURE PLAN OF SPANS STAGE II		SPAN A	
REVISIONS					
NO.	BY:	DATE:	NO.	BY:	DATE:
1			3		
2			4		
					SHEET NO. S-18
					TOTAL SHEETS 75



DRAWN BY : P.S. ADKINS DATE : 7/14/14
 CHECKED BY : K.D. LAYNE DATE : 11/14/14
 DESIGN ENGINEER OF RECORD: V.A. PATEL DATE : 1/5/15

18-FEB-2015 14:03
 R:\Structures\Plans\B5136.SD.S*.01.dgn
 thcarroll