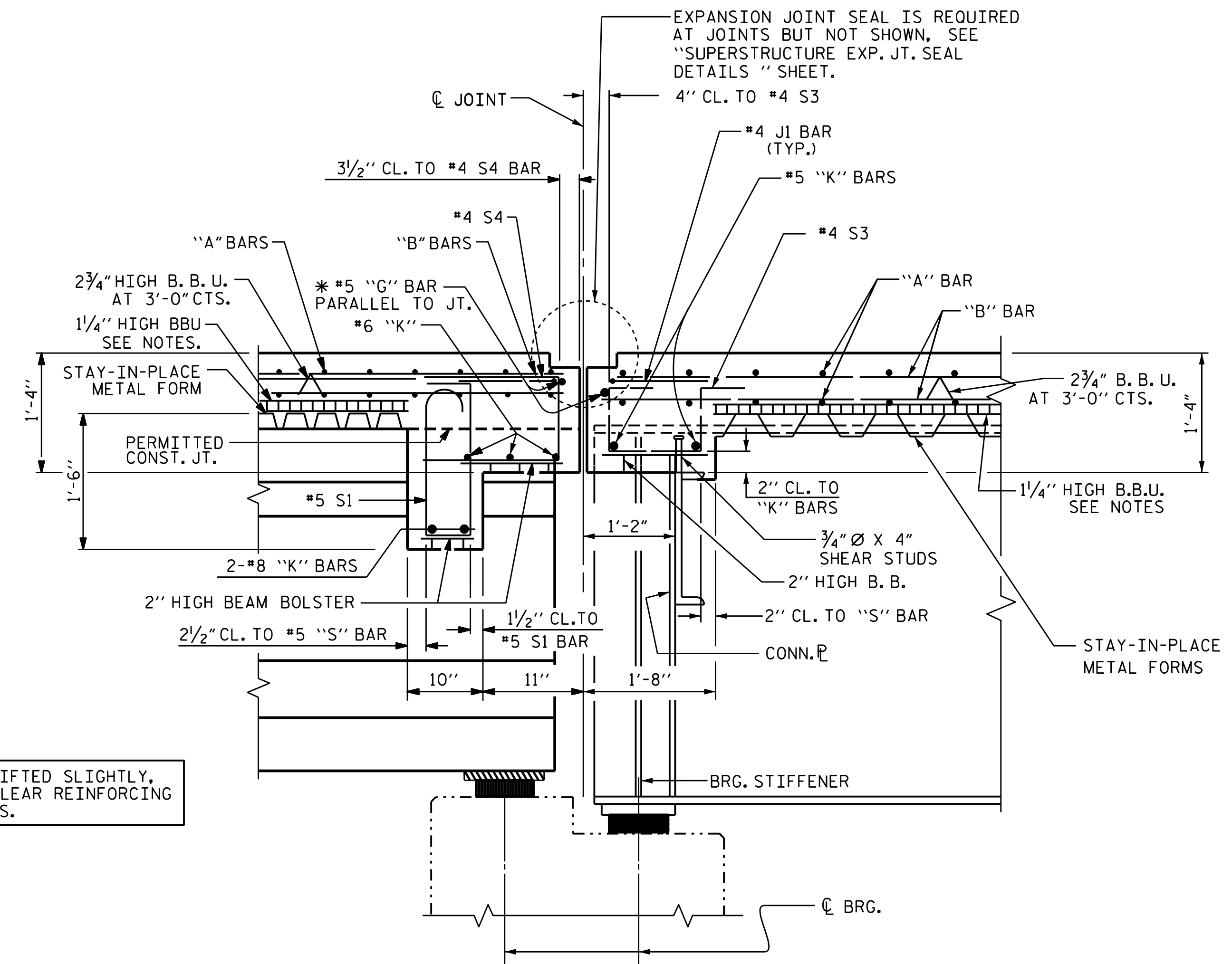


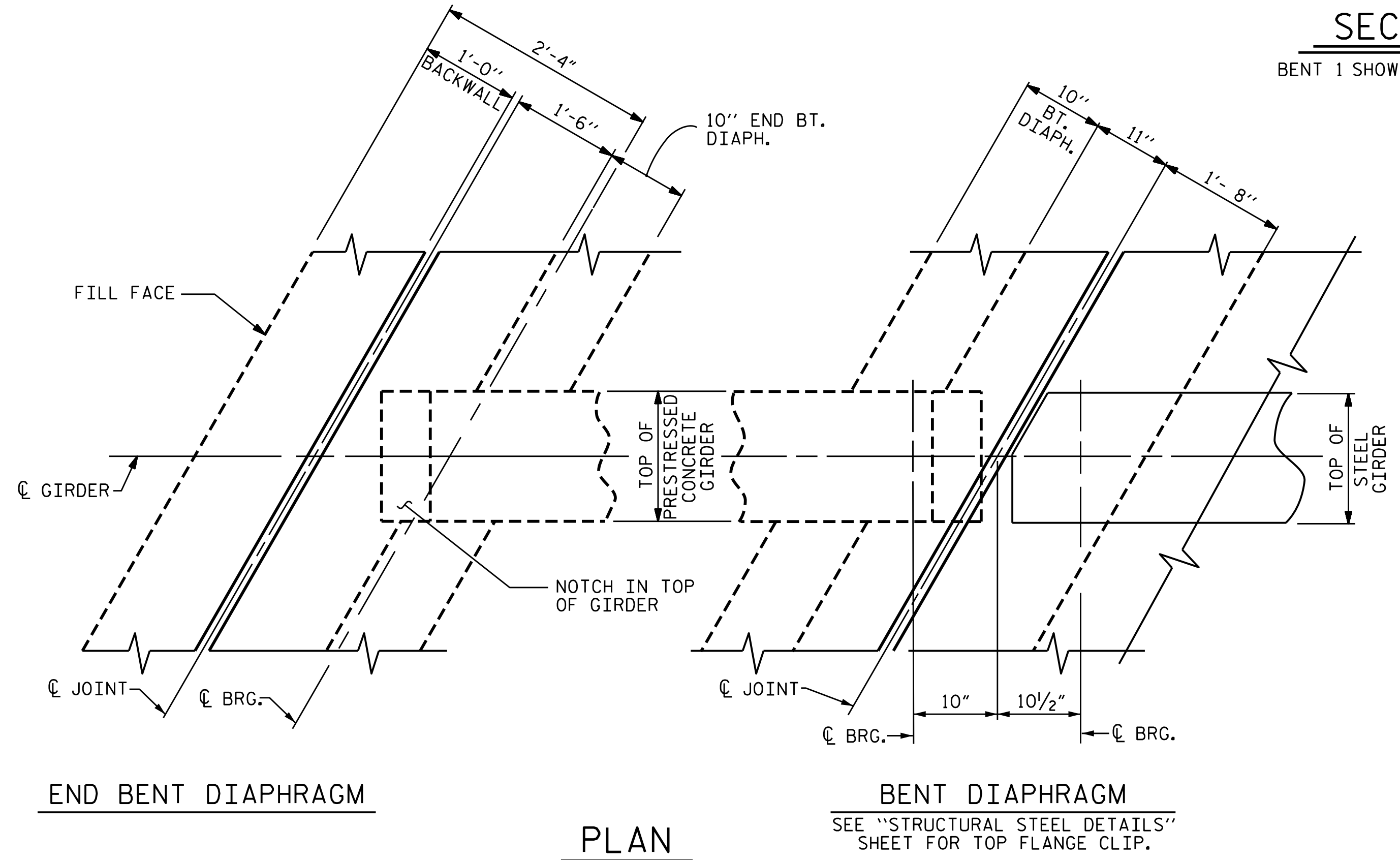
SECTION @ END BENT

* #5G BAR MAY BE SHIFTED SLIGHTLY, AS NECESSARY TO CLEAR REINFORCING STEEL AND STIRRUPS.



SECTION @ BENT

BENT 1 SHOWN, BENT 2 SIMILAR BY ROTATION



END BENT DIAPHRAGM

BENT DIAPHRAGM

PLAN

PROJECT NO. B-5136
CABARRUS COUNTY
 STATION: 21+74.92 -L-
 SHEET 5 OF 5

STATE OF NORTH CAROLINA DEPARTMENT OF TRANSPORTATION RALEIGH					
SUPERSTRUCTURE TYPICAL SECTION DETAILS					
REVISIONS					
NO.	BY:	DATE:	NO.	BY:	DATE:
1			3		
2			4		
SHEET NO.					S-14
TOTAL SHEETS					75



DRAWN BY : P.S. ADKINS DATE : 7/17/14
 CHECKED BY : K.D. LAYNE DATE : 11/14/14
 DESIGN ENGINEER OF RECORD: V. A. PATEL DATE : 1/5/15