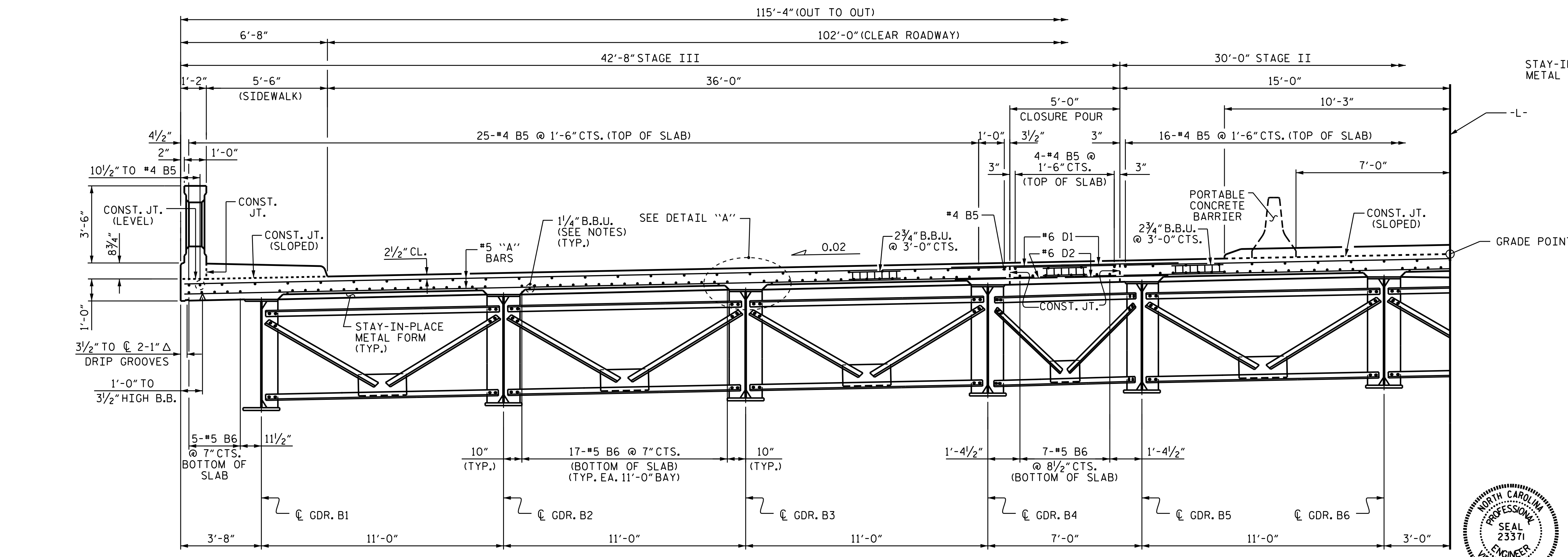
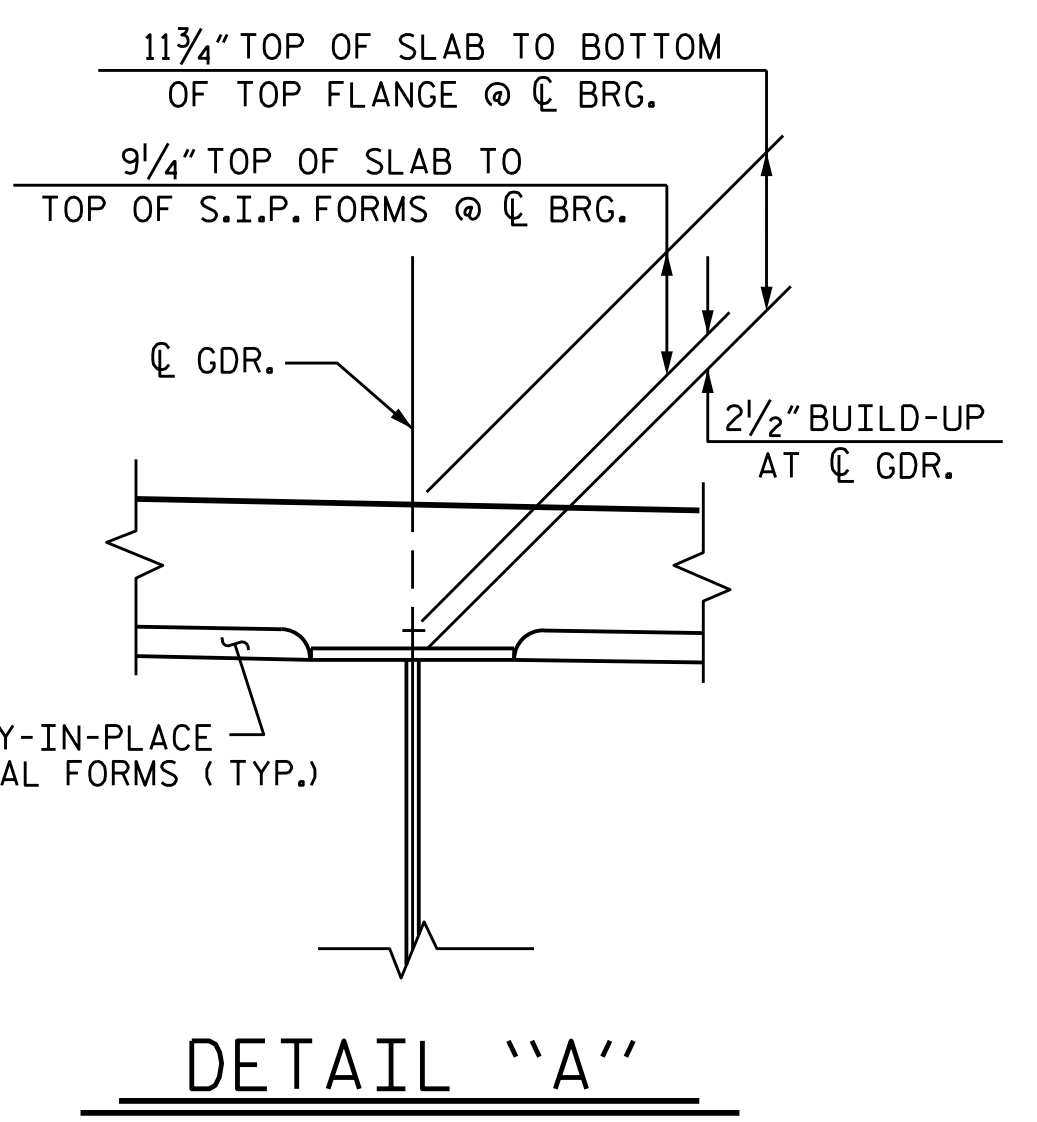


TYPICAL SECTION @ BENT DIAPHRAGM

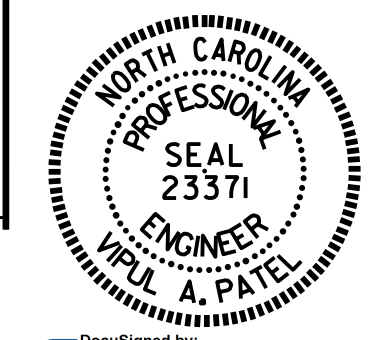


TYPICAL SECTION @ INTERMEDIATE DIAPHRAGM



DETAIL "A"

PROJECT NO. B-5136
CABARRUS COUNTY
 STATION: 21+74.92 -L-
 SHEET 4 OF 5



STATE OF NORTH CAROLINA
 DEPARTMENT OF TRANSPORTATION
 RALEIGH
 SUPERSTRUCTURE
 TYPICAL SECTION
 STAGE III & HALF
 STAGE II & IV
 SPAN B

DRAWN BY : T. H. CARROLL DATE : 7/14/14
 CHECKED BY : K. D. LAYNE DATE : 11/25/14
 DESIGN ENGINEER OF RECORD : V. A. PATEL DATE : 1/5/15

18-FEB-2015 14:02
 R:\Structures\Plans\B5136.SD.TS.01.dgn
 thcarroll

REVISIONS						SHEET NO.
NO.	BY:	DATE:	NO.	BY:	DATE:	TOTAL SHEETS
1			3			75
2			4			