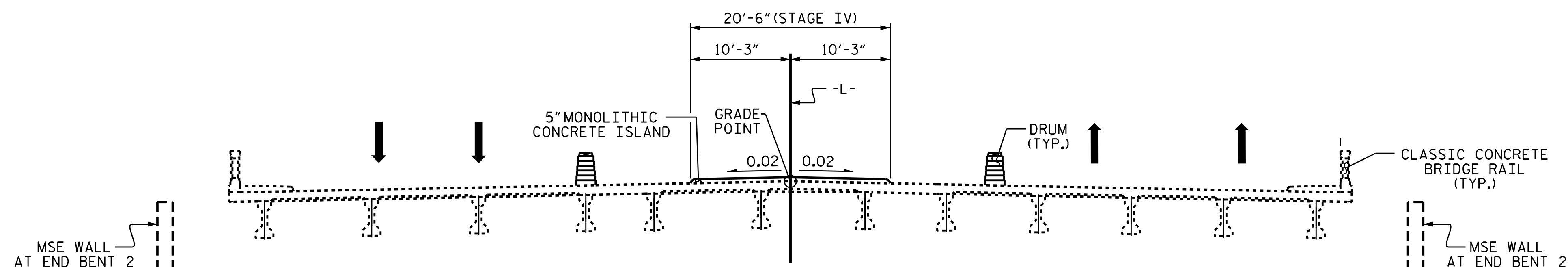


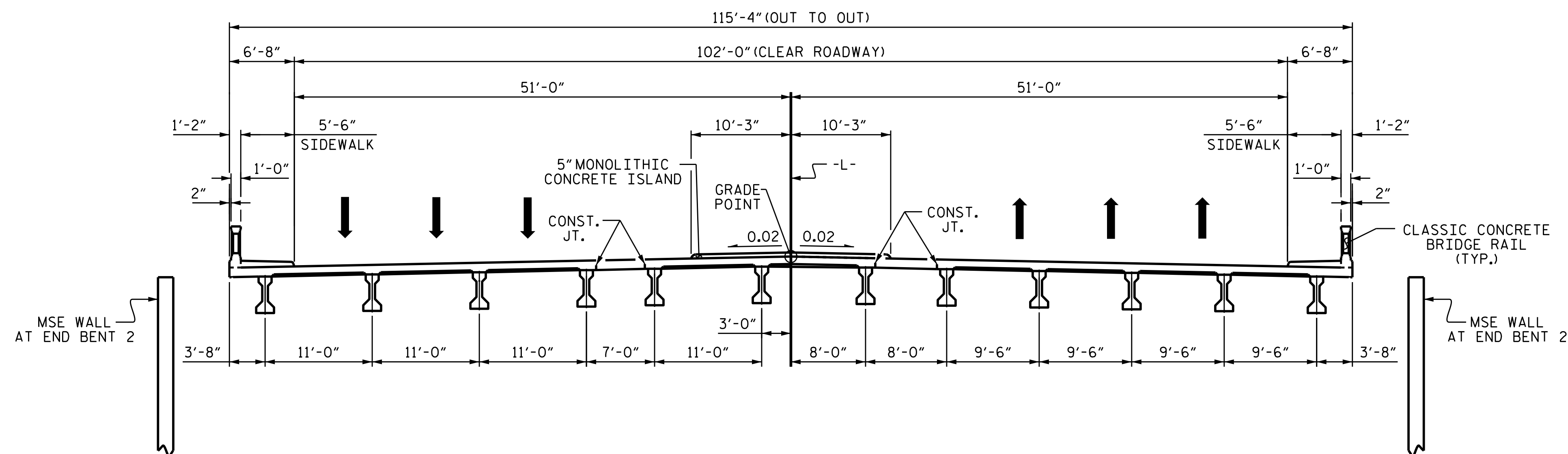
**STAGE III**

MAINTAIN EASTBOUND TRAFFIC ON EXISTING STAGE I AND SHIFT WESTBOUND TRAFFIC ONTO EXISTING STAGE II. REMOVE DETOUR BRIDGE AND CONSTRUCT MSE WALL AND STAGE III OF THE PROPOSED STRUCTURE.



**STAGE IV**

REMOVE PORTABLE CONCRETE BARRIERS AND REPLACE WITH DRUMS. SHIFT TRAFFIC TO FINAL PATTERN, EXCLUDING THE LANES REQUIRED FOR CONSTRUCTION OF THE 5" MONOLITHIC CONCRETE ISLAND. CONSTRUCT 5" MONOLITHIC CONCRETE ISLAND.



**FINAL TYPICAL SECTION**

SHIFT TRAFFIC TO FINAL PATTERN.

PROJECT NO. B-5136  
CABARRUS COUNTY  
 STATION: 21+74.92 -L-

SHEET 2 OF 2



STATE OF NORTH CAROLINA DEPARTMENT OF TRANSPORTATION RALEIGH						SHEET NO. S-9
SUPERSTRUCTURE CONSTRUCTION SEQUENCE						
REVISIONS						TOTAL SHEETS 75
NO.	BY:	DATE:	NO.	BY:	DATE:	
1			3			
2			4			

DRAWN BY : T. H. CARROLL DATE : 11/24/14  
 CHECKED BY : V. A. PATEL DATE : 12/2/14  
 DESIGN ENGINEER OF RECORD: V. A. PATEL DATE : 1/5/15