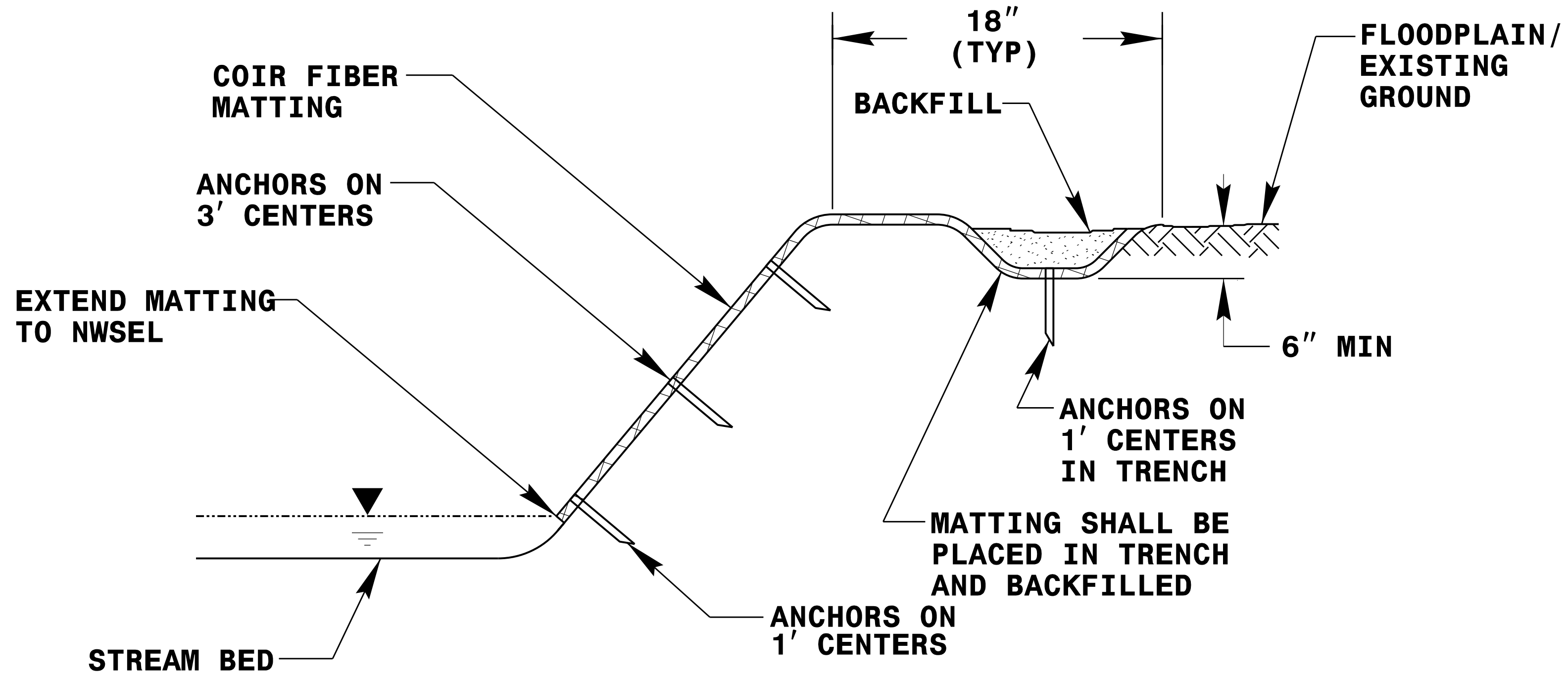
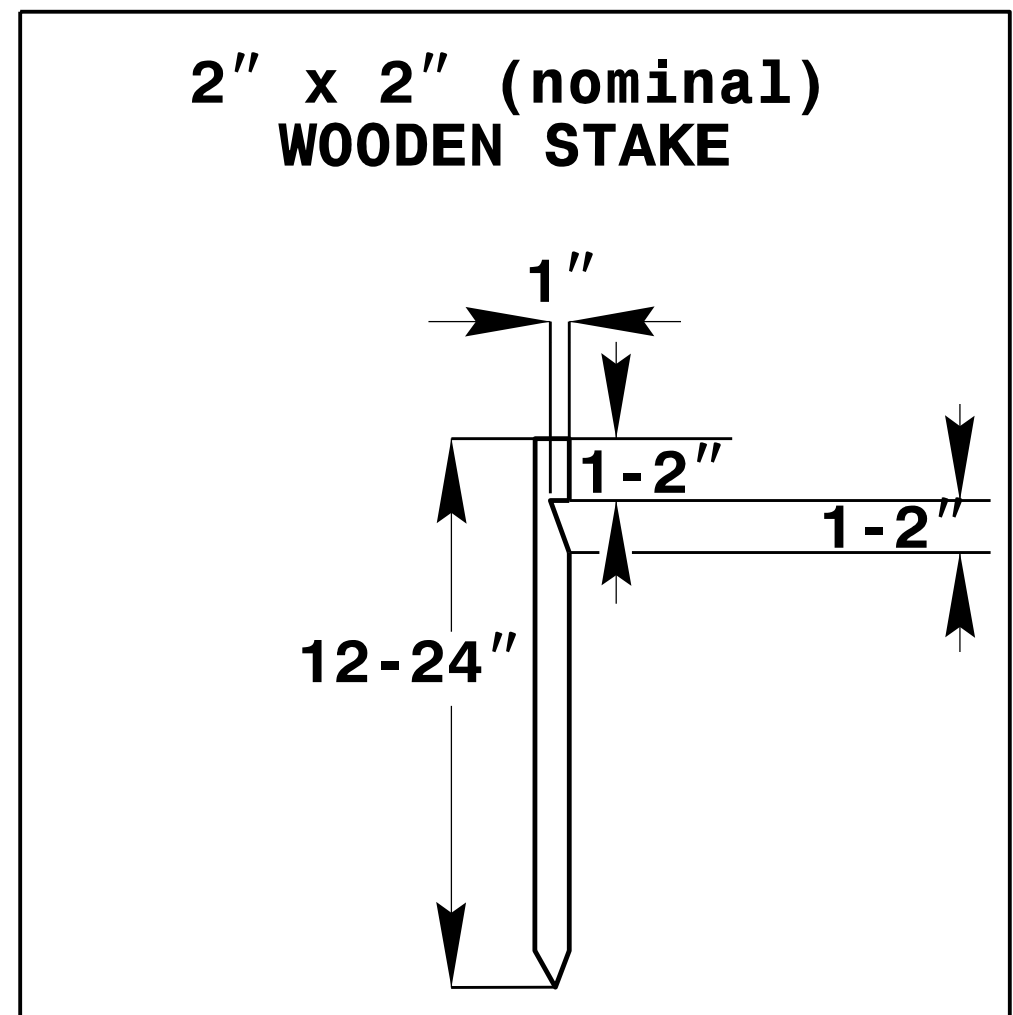


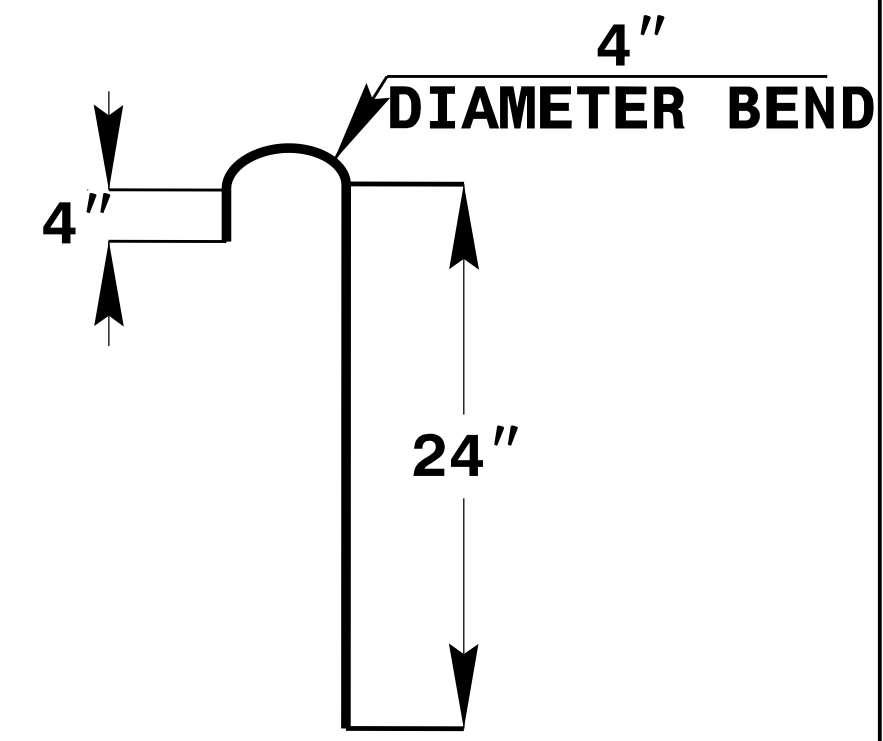
PLAN VIEW



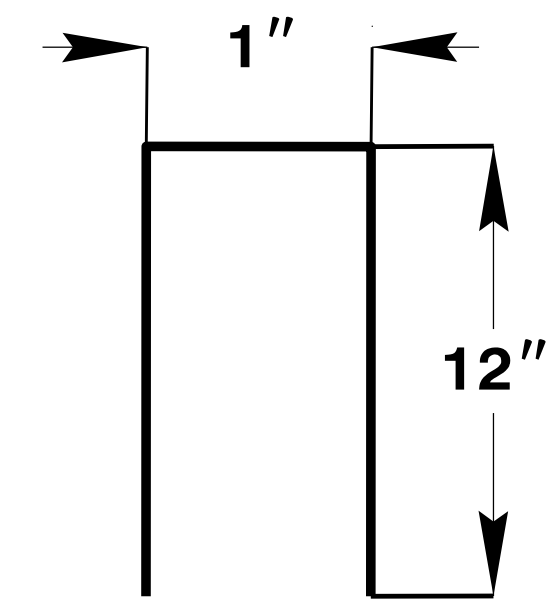
TYPICAL CROSS SECTION



#10 STEEL REINFORCEMENT BAR



1\"/>



ANCHOR OPTIONS

COIR FIBER MATTING DETAIL

NOT TO SCALE