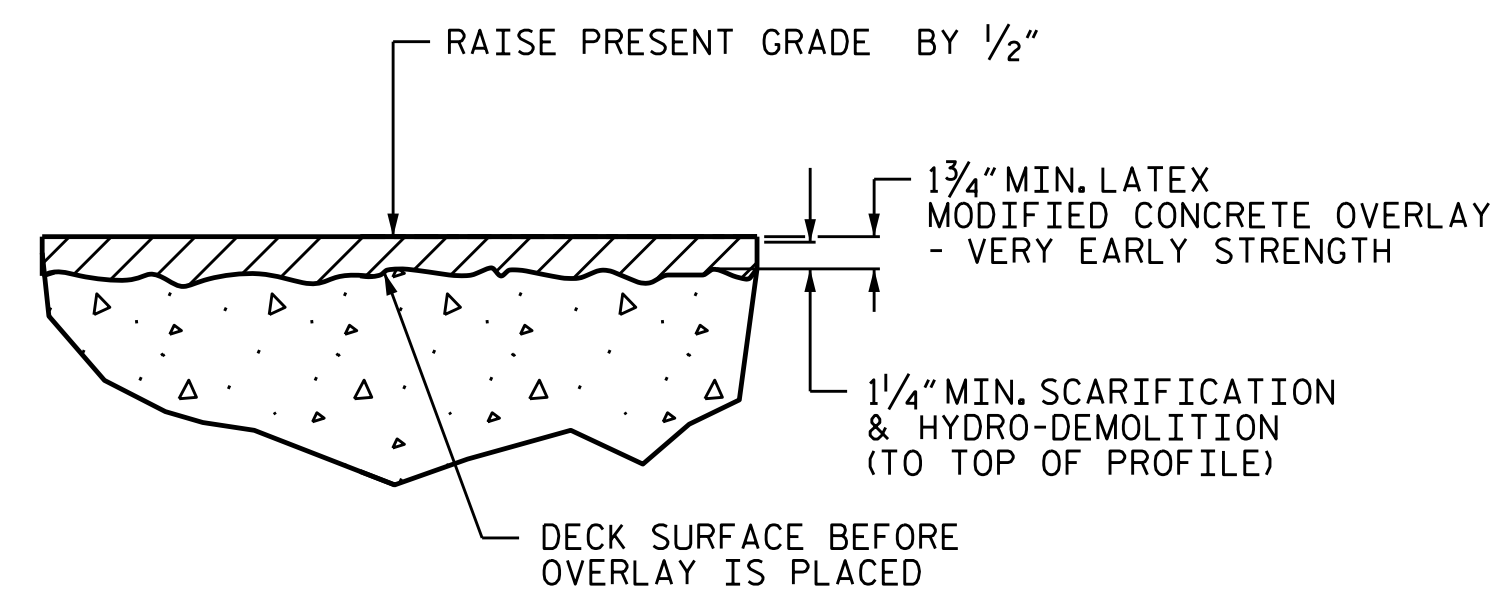
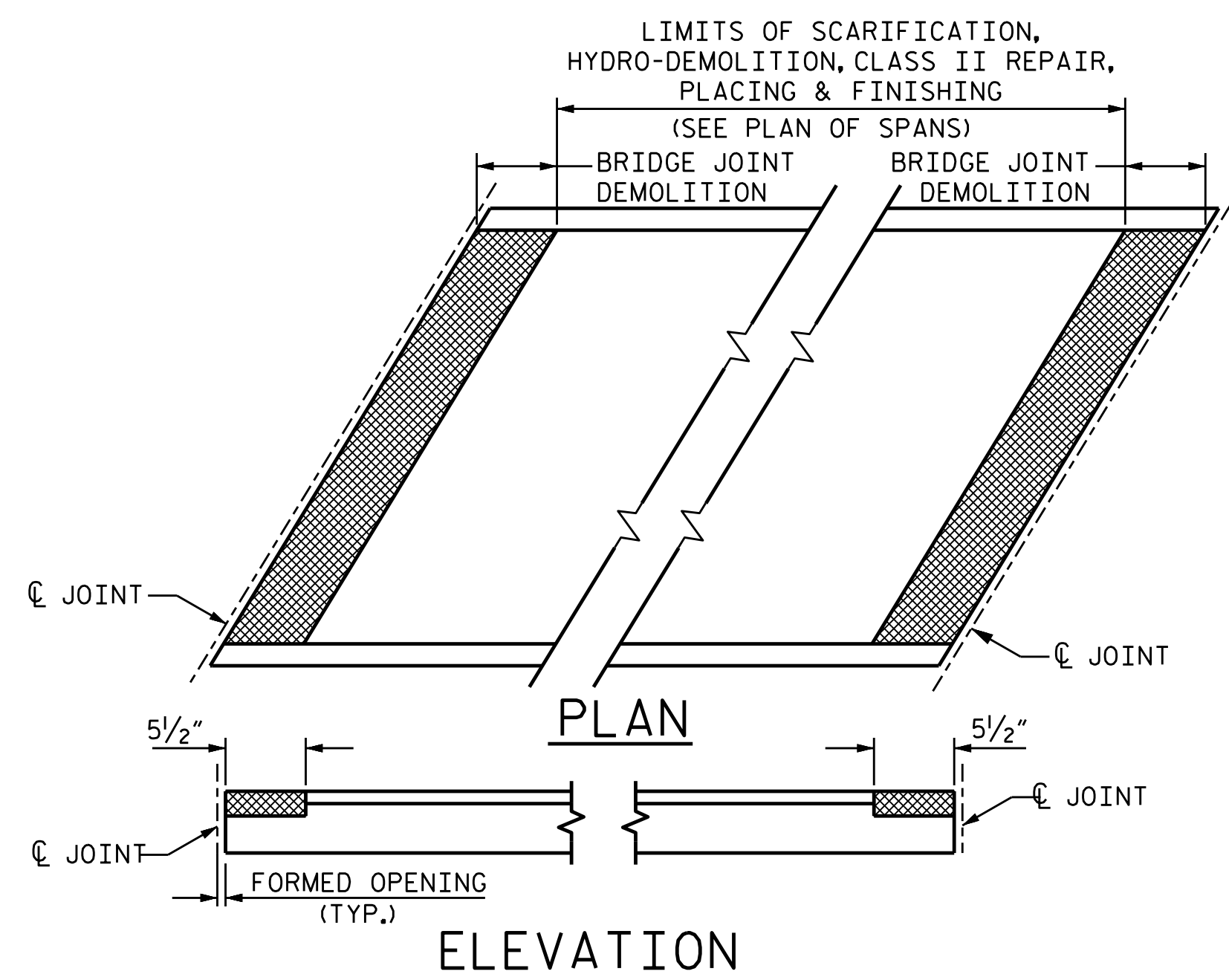


- DECK SCARIFICATION, HYDRO-DEMOLITION, AND LATEX MODIFIED CONCRETE OVERLAY - VERY EARLY STRENGTH
- BRIDGE JOINT DEMOLITION

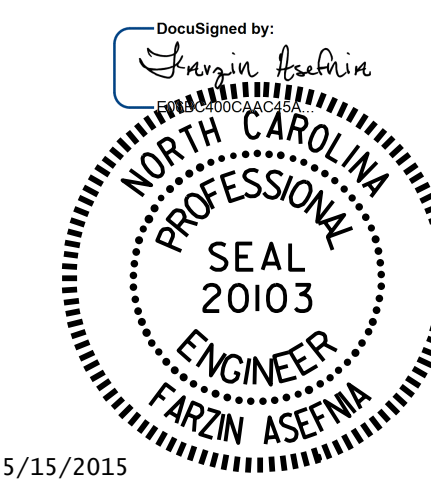
PLAN OF SPANS



DETAIL FOR LATEX MODIFIED CONCRETE - VERY EARLY STRENGTH OVERLAY

PROJECT NO. W-5514
CUMBERLAND COUNTY
 BRIDGE NO.: 199

STATE OF NORTH CAROLINA
 DEPARTMENT OF TRANSPORTATION
 RALEIGH
 SUPERSTRUCTURE
 SURFACE PREPARATION



DRAWN BY : D.V. JOYNER DATE : 9/2014
 CHECKED BY : W. SMITH DATE : 2/2015

REVISIONS						SHEET NO.
NO.	BY:	DATE:	NO.	BY:	DATE:	S-4
1			3			TOTAL SHEETS
2			4			9