

- 1 INSTALL REA, PE - 22, SHIELDED, TWISTED PAIR COMMUNICATIONS CABLE
- 2 INSTALL REA, PE - 38, (FIGURE 8) SHIELDED, TWISTED PAIR COMMUNICATIONS CABLE
- 3 INSTALL REA, PE - 39, (UNDERGROUND) SHIELDED, TWISTED PAIR COMMUNICATIONS CABLE
- 4 INSTALL SMFO CABLE
- 5 INSTALL MMFO CABLE
- 6 INSTALL FIBER OPTIC DROP CABLE
- 7 INSTALL TRACER WIRE
- 8 TRENCH
- 9 INSTALL PVC CONDUIT
- 10 INSTALL RIGID, GALVANIZED STEEL CONDUIT
- 11 INSTALL RIGID, GALVANIZED STEEL RISER WITH WEATHERHEAD
- 12 INSTALL RIGID, GALVANIZED STEEL RISER WITH FIBER OPTIC CABLE SEAL
- 13 INSTALL OUTER-DUCT POLYETHYLENE CONDUIT
- 14 INSTALL POLYETHYLENE CONDUIT
- 15 DIRECTIONAL DRILL CONDUIT
- 16 BORE AND JACK CONDUIT
- 17 INSTALL CABLE(S) IN EXISTING CONDUIT
- 18 INSTALL CABLE(S) IN NEW CONDUIT
- 19 INSTALL CABLE(S) IN EXISTING RISER
- 20 INSTALL CABLE(S) IN NEW RISER
- 21 INSTALL CABLE(S) IN EXISTING CONDUIT STUB-OUTS
- 22 INSTALL NEW CONDUIT INTO EXISTING CABINET BASE (USE EXISTING CONDUIT STUB-OUTS WHEN AVAILABLE)
- 23 INSTALL NEW RISER INTO EXISTING CABINET BASE (USE EXISTING CONDUIT STUB-OUTS WHEN AVAILABLE)
- 24 INSTALL NEW CONDUIT INTO EXISTING POLE MOUNTED CABINET
- 25 INSTALL NEW RISER INTO EXISTING POLE MOUNTED CABINET
- 26 TERMINATE COMMUNICATIONS CABLE ON EXISTING TELEMETRY INTERFACE PANEL IN TRAFFIC SIGNAL CONTROLLER CABINET
- 27 INSTALL NEW TELEMETRY INTERFACE PANEL IN TRAFFIC SIGNAL CONTROLLER CABINET
- 28 INSTALL INTERCONNECT CENTER, PATCH PANEL, JUMPERS AND FUSION SPLICE CABLE IN CABINET
- 29 INSTALL UNDERGROUND SPLICE ENCLOSURE
- 30 INSTALL AERIAL SPLICE ENCLOSURE
- 31 INSTALL POLE MOUNTED SPLICE CABINET
- 32 INSTALL BASE MOUNTED SPLICE CABINET
- 33 REMOVE EXISTING SPLICE CABINET

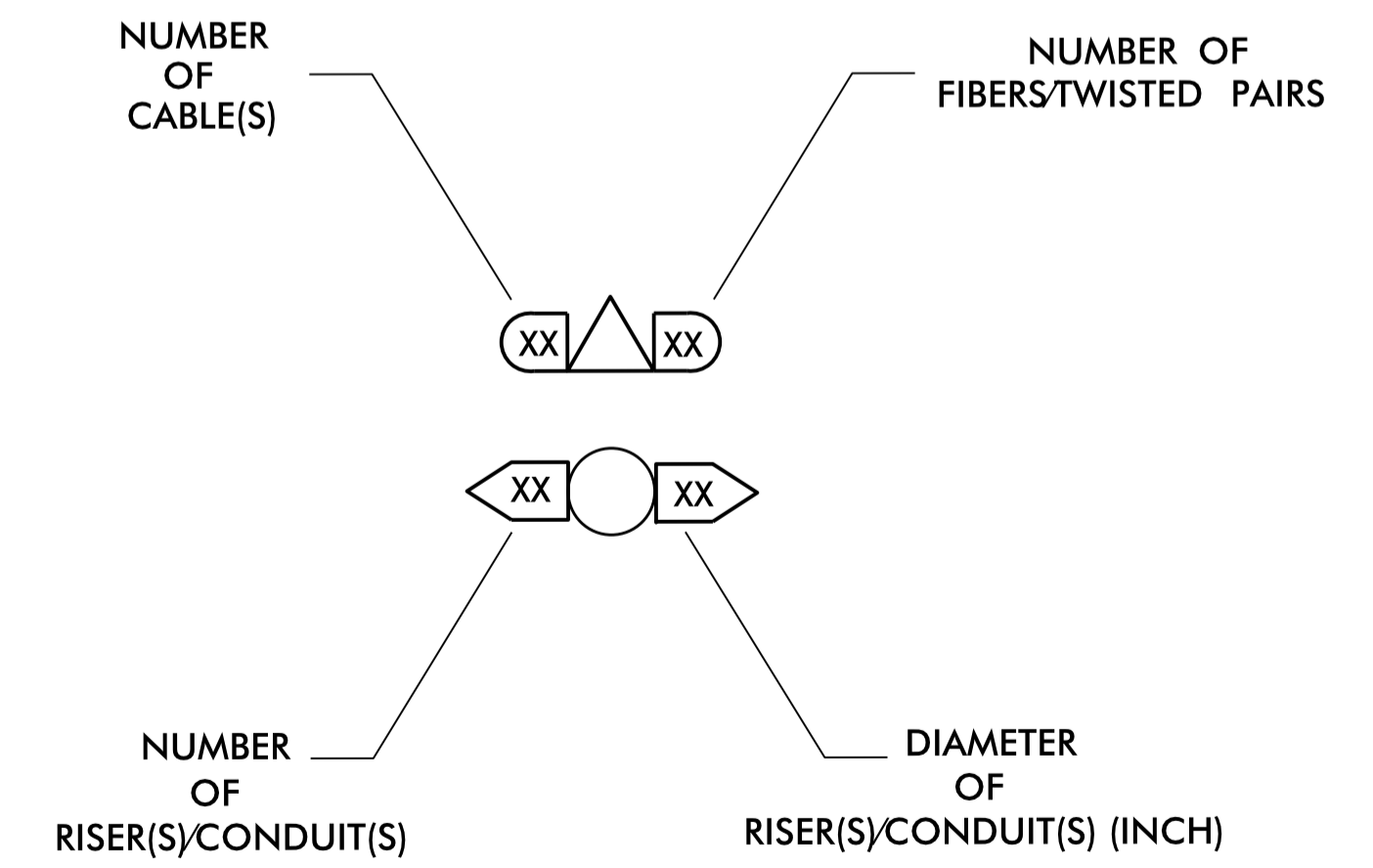
- 34 INSTALL CABINET FOUNDATION
- 35 REMOVE EXISTING CABINET FOUNDATION
- 36 INSTALL CCTV CAMERA ASSEMBLY
- 37 INSTALL CCTV CAMERA WOOD POLE
- 38 INSTALL CCTV CAMERA METAL POLE AND FOUNDATION
- 39 INSTALL JUNCTION BOX
- 40 INSTALL OVERSIZED JUNCTION BOX
- 41 REMOVE EXISTING JUNCTION BOX
- 42 INSTALL WOOD POLE
- 43 REMOVE EXISTING WOOD POLE
- 44 INSTALL AERIAL GUY ASSEMBLY
- 45 INSTALL STANDARD GUY ASSEMBLY
- 46 INSTALL SIDEWALK GUY ASSEMBLY
- 47 INSTALL MESSENGER CABLE
- 48 REMOVE EXISTING COMMUNICATIONS AND MESSENGER CABLE
- 49 REMOVE EXISTING MESSENGER CABLE
- 50 INSTALL TELEPHONE SERVICE
- 51 INSTALL CABLE STORAGE RACKS (SNOW SHOES) AND STORE 100 FEET OF CABLE
- 52 INSTALL DELINEATOR MARKER
- 53 STORE 20 FEET OF COMMUNICATIONS CABLE
- 54 LASH CABLE(S) TO EXISTING SIGNAL/COMMUNICATIONS CABLE
- 55 LASH CABLE(S) TO EXISTING MESSENGER CABLE
- 56 LASH CABLE(S) TO NEW MESSENGER CABLE
- 57 MODIFY EXISTING ELECTRICAL SERVICE
- 58 INSTALL NEW ELECTRICAL SERVICE

LEGEND

	NEW FIBER OPTIC COMMUNICATIONS CABLE
	NEW TWISTED PAIR COMMUNICATIONS CABLE
	EXISTING COMMUNICATIONS CABLE
	EXISTING COMMUNICATIONS CABLE TO BE REMOVED
	NEW AERIAL GUY ASSEMBLY
	NEW CONDUIT
	EXISTING CONDUIT
	NEW DIRECTIONAL DRILLED CONDUIT
	NEW BORED AND JACKED CONDUIT
	NEW JUNCTION BOX
	EXISTING JUNCTION BOX
	NEW WOOD POLE
	EXISTING WOOD POLE
	AERIAL SPLICE ENCLOSURE
	NEW METAL POLE
	EXISTING METAL POLE
	NEW CCTV ASSEMBLY
	NEW STANDARD GUY ASSEMBLY
	NEW SIDEWALK GUY ASSEMBLY
	NEW CABLE STORAGE RACKS (SNOW SHOES)
	EXISTING CONTROLLER AND CABINET
	EXISTING SPLICE CABINET
	NEW SPLICE CABINET
	SIGNAL POLE
	SIGNAL INVENTORY NUMBER

CONSTRUCTION NOTE SYMBOLOGY KEY

- INDICATES NUMBER OF CABLES, LOOPS, ETC.
- INDICATES NUMBER OF FIBERS PER CABLE, TWISTED PAIRS PER CABLE, ETC.
- INDICATES NUMBER OF RISER(S)/CONDUIT(S)
- INDICATES DIAMETER OF RISER(S)/CONDUIT(S) (INCH)



	CONSTRUCTION NOTES		
	PLAN DATE: APRIL 2015 PREPARED BY: A. J. SKUCE	REVIEWED BY: <i>Neil Lundy</i> REVIEWED BY: GREGORY A. FULLER	
REVISIONS		INIT.	DATE
CADD Filename:			