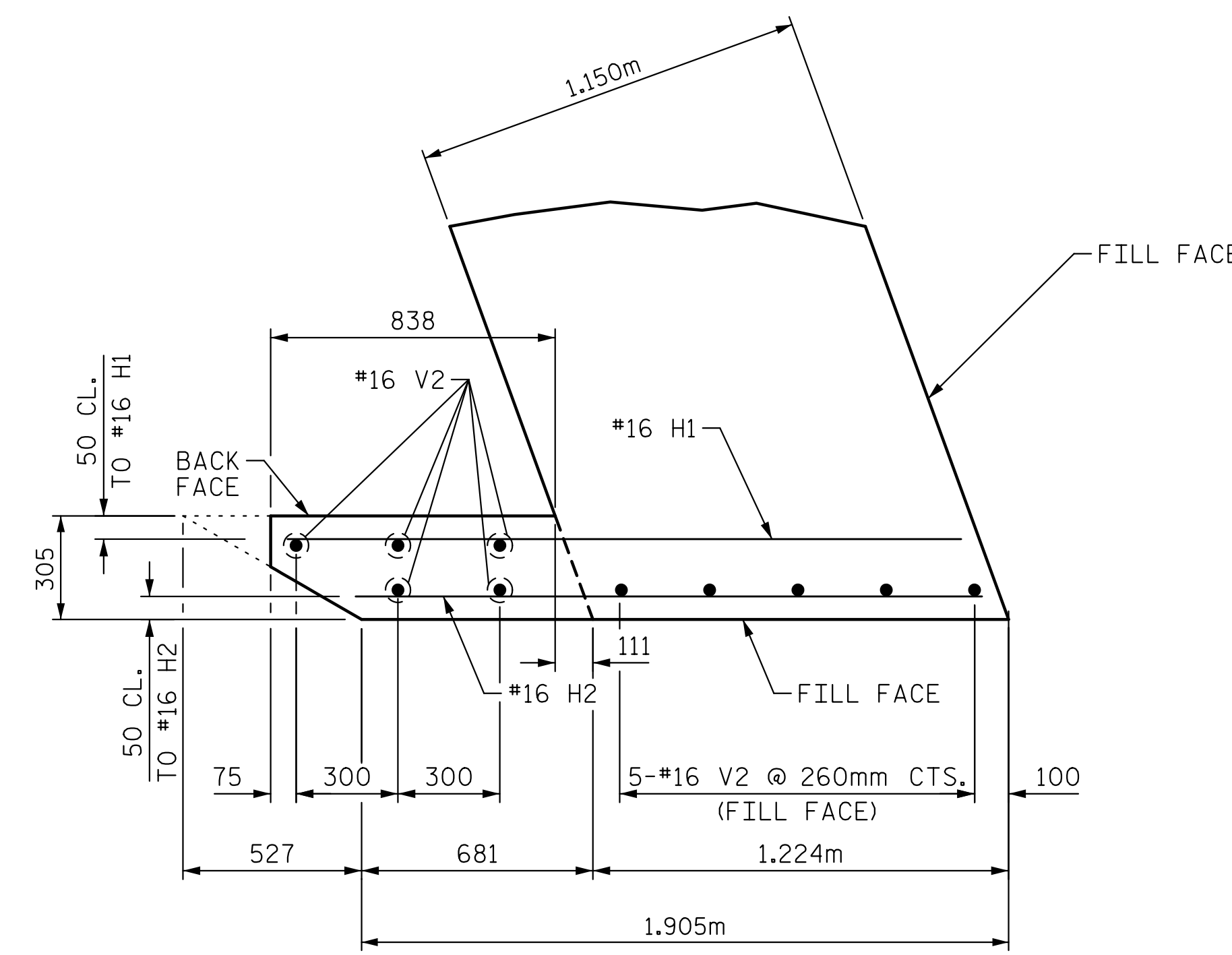
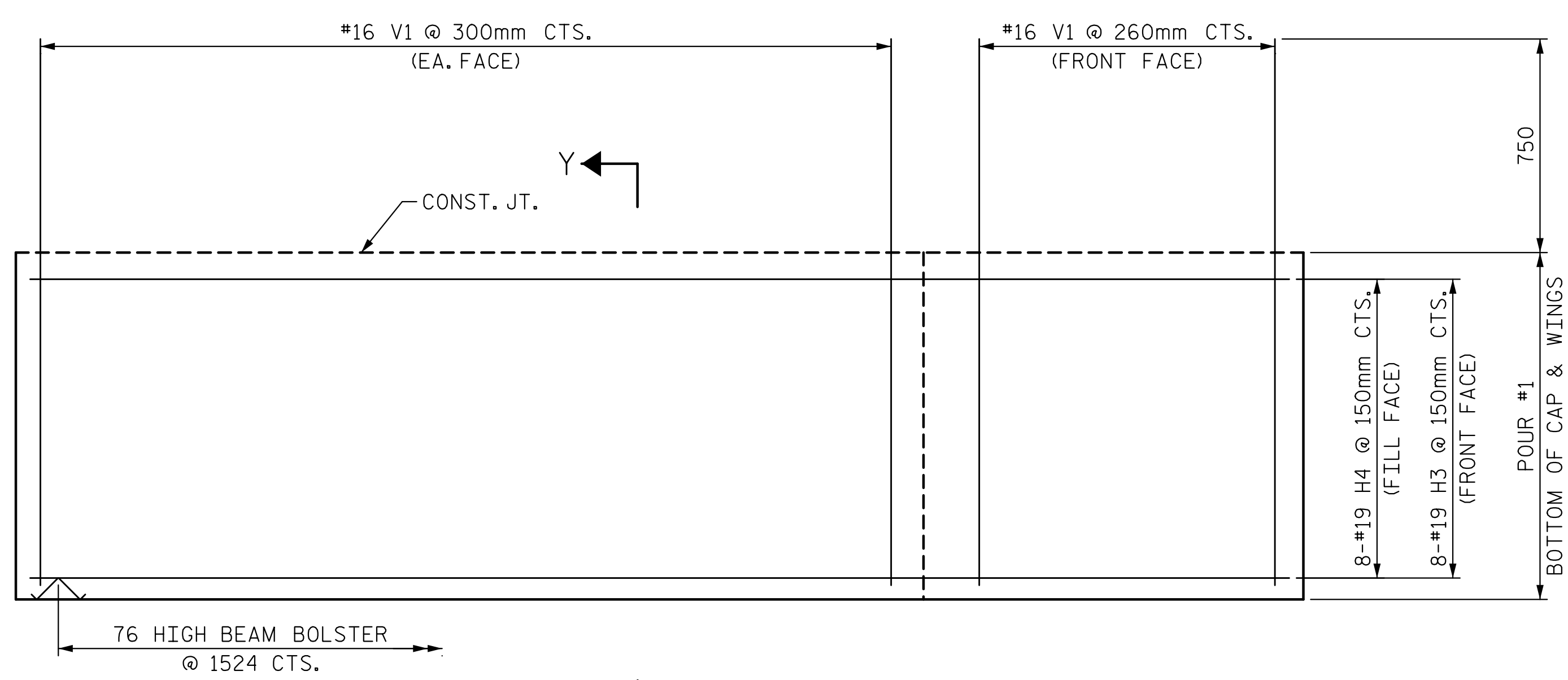


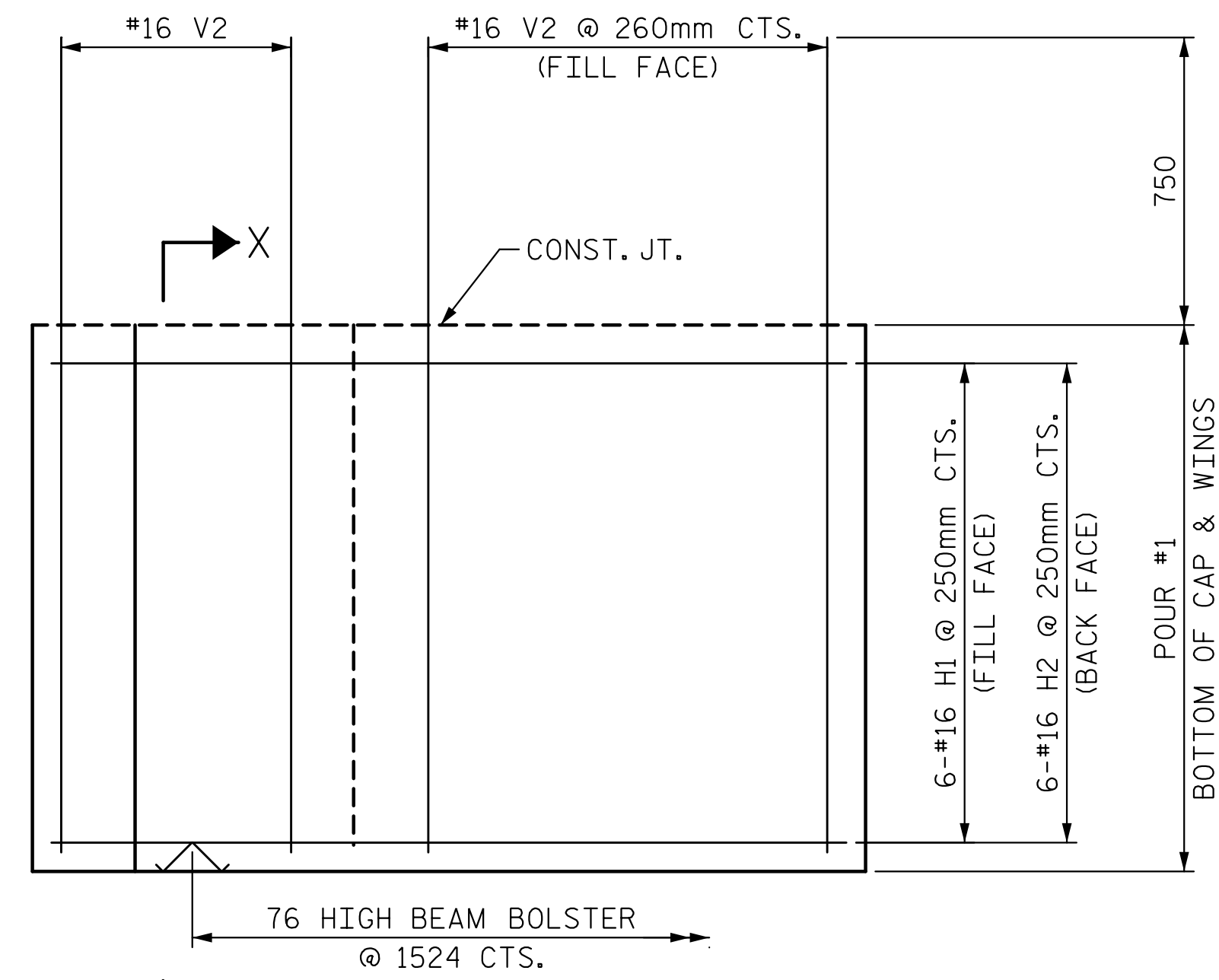
PLAN OF WING (W3)



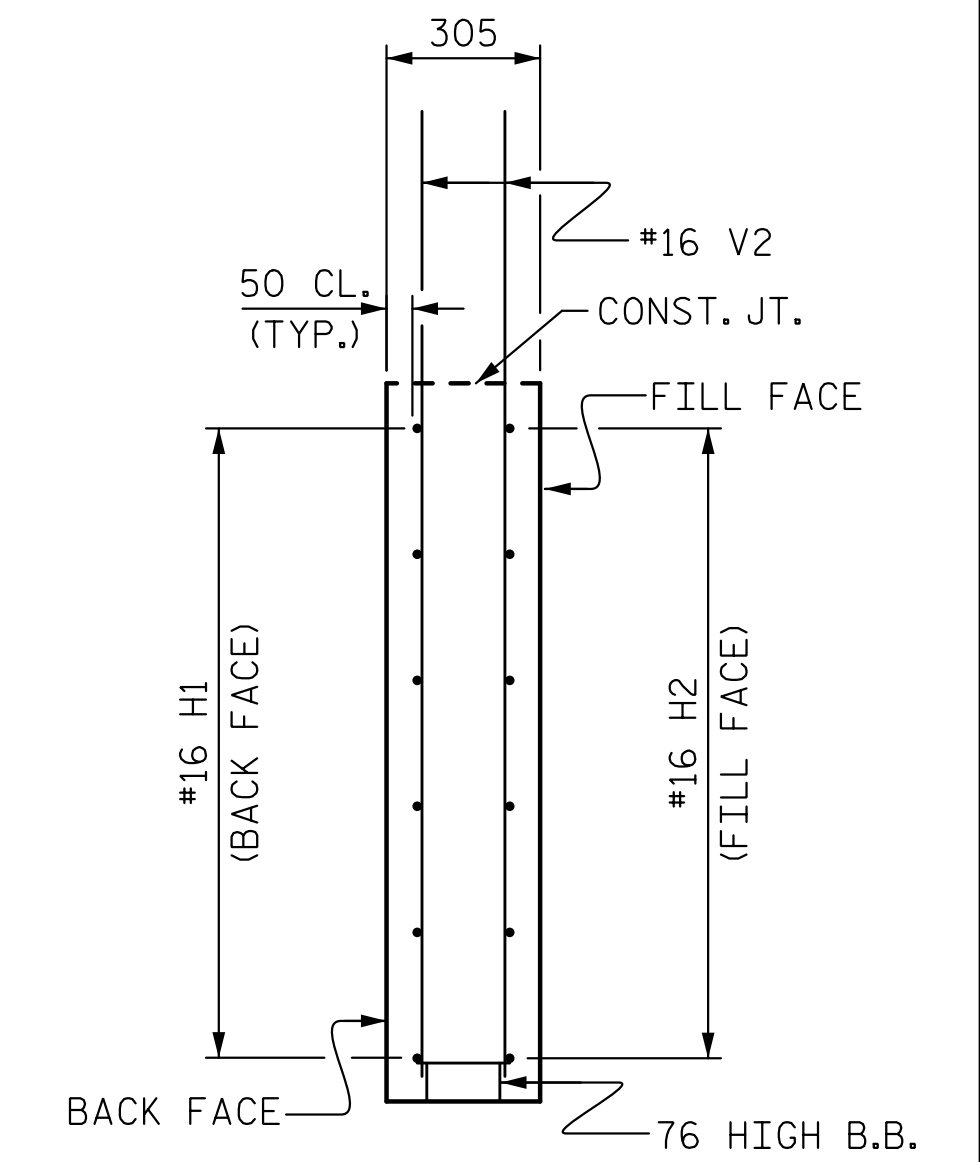
PLAN OF WING (W4)



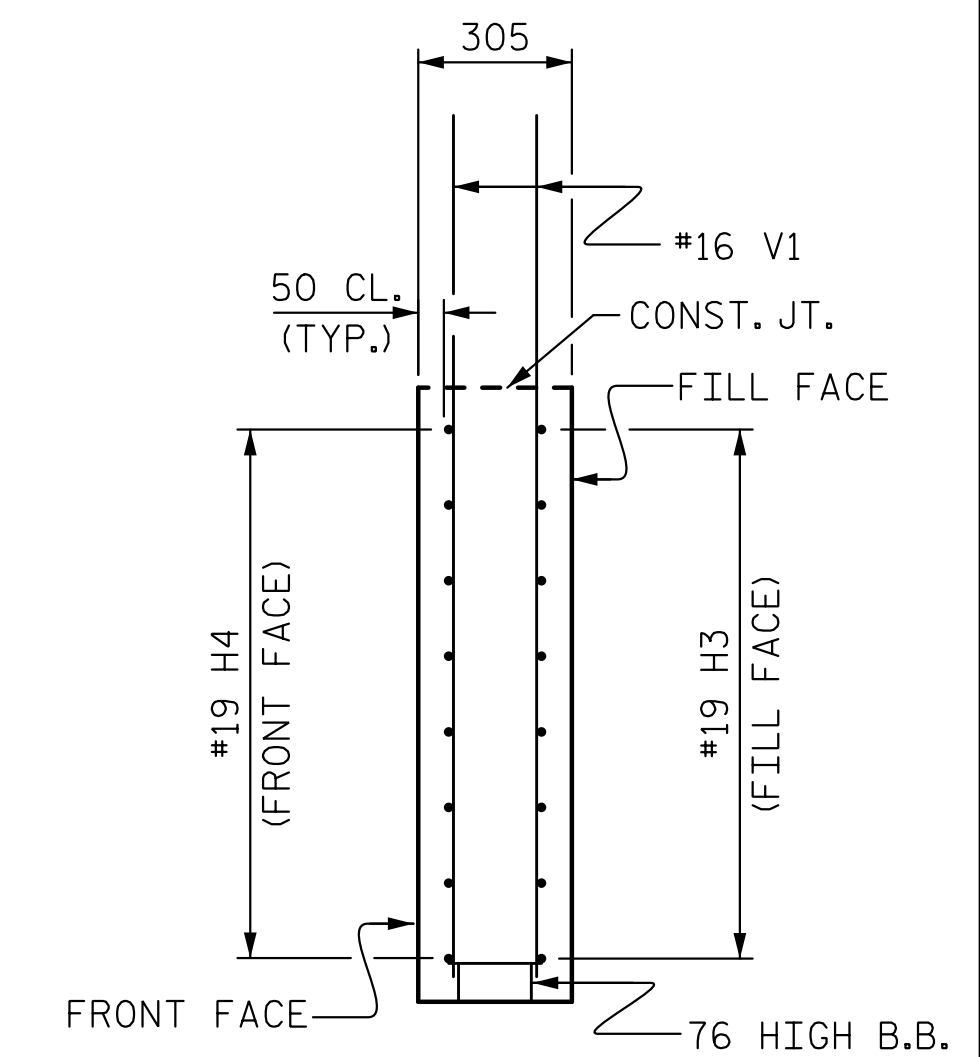
ELEVATION OF WING (W3)



ELEVATION OF WING (W4)

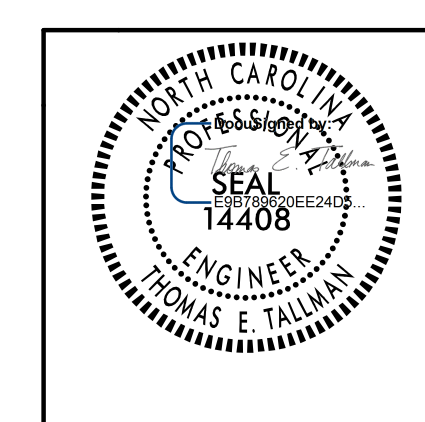


SECTION X-X



SECTION Y-Y

PROJECT NO. R-2413CA  
 ROCKINGHAM COUNTY  
 STATION: 90+64.493 -LREV-SB-  
 SHEET 2 OF 3



STATE OF NORTH CAROLINA DEPARTMENT OF TRANSPORTATION RALEIGH					
SUBSTRUCTURE					
INTEGRAL END BENT 2					
REVISIONS					
NO.	BY:	DATE:	NO.	BY:	DATE:
1			3		
2			4		
SHEET NO. S01-24					TOTAL SHEETS 28



2/20/2015 10:53 AM C:\Users\pep\Documents\Projects\2413CA\2413CA.dwg  
 T. E. Tallman  
 T. E. Tallman

DRAWN BY : D. H. CARTER DATE : FEB 2015  
 CHECKED BY : T. E. TALLMAN DATE : FEB 2015  
 DESIGN ENGINEER OF RECORD: T. E. TALLMAN DATE : FEB 2015