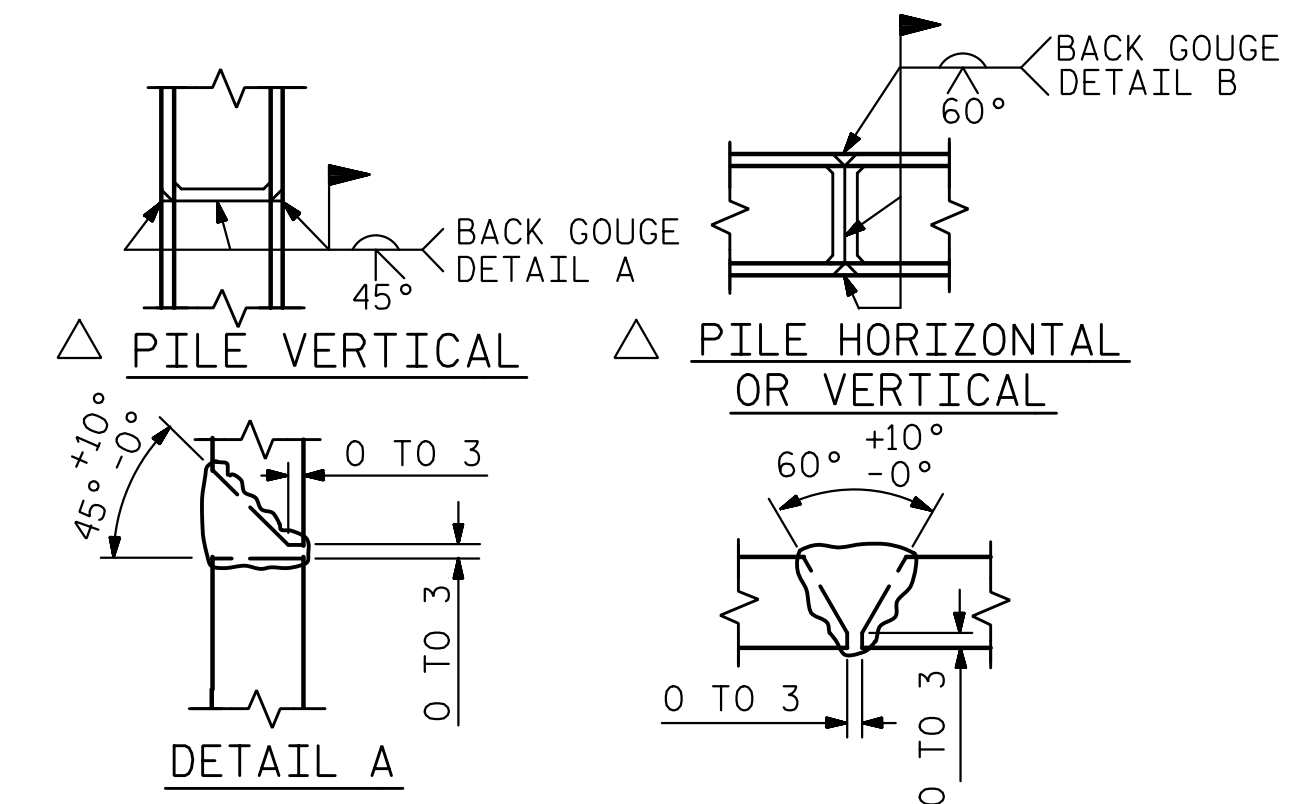


BAGGED STONE AND PIPE SHALL BE PLACED IMMEDIATELY AFTER COMPLETION OF END BENT EXCAVATION. PIPE MAY BE EITHER CONCRETE, CORRUGATED STEEL, CORRUGATED ALUMINUM ALLOY, OR CORRUGATED PLASTIC. PERFORATED PIPE WILL NOT BE ALLOWED.

BAGGED STONE SHALL REMAIN IN PLACE UNTIL THE ENGINEER DIRECTS THAT IT BE REMOVED. THE CONTRACTOR SHALL REMOVE AND DISPOSE OF SILT ACCUMULATIONS AT BAGGED STONE WHEN SO DIRECTED BY THE ENGINEER. BAGS SHALL BE REMOVED AND REPLACED WHENEVER THE ENGINEER DETERMINES THAT THEY HAVE DETERIORATED AND LOST THEIR EFFECTIVENESS.

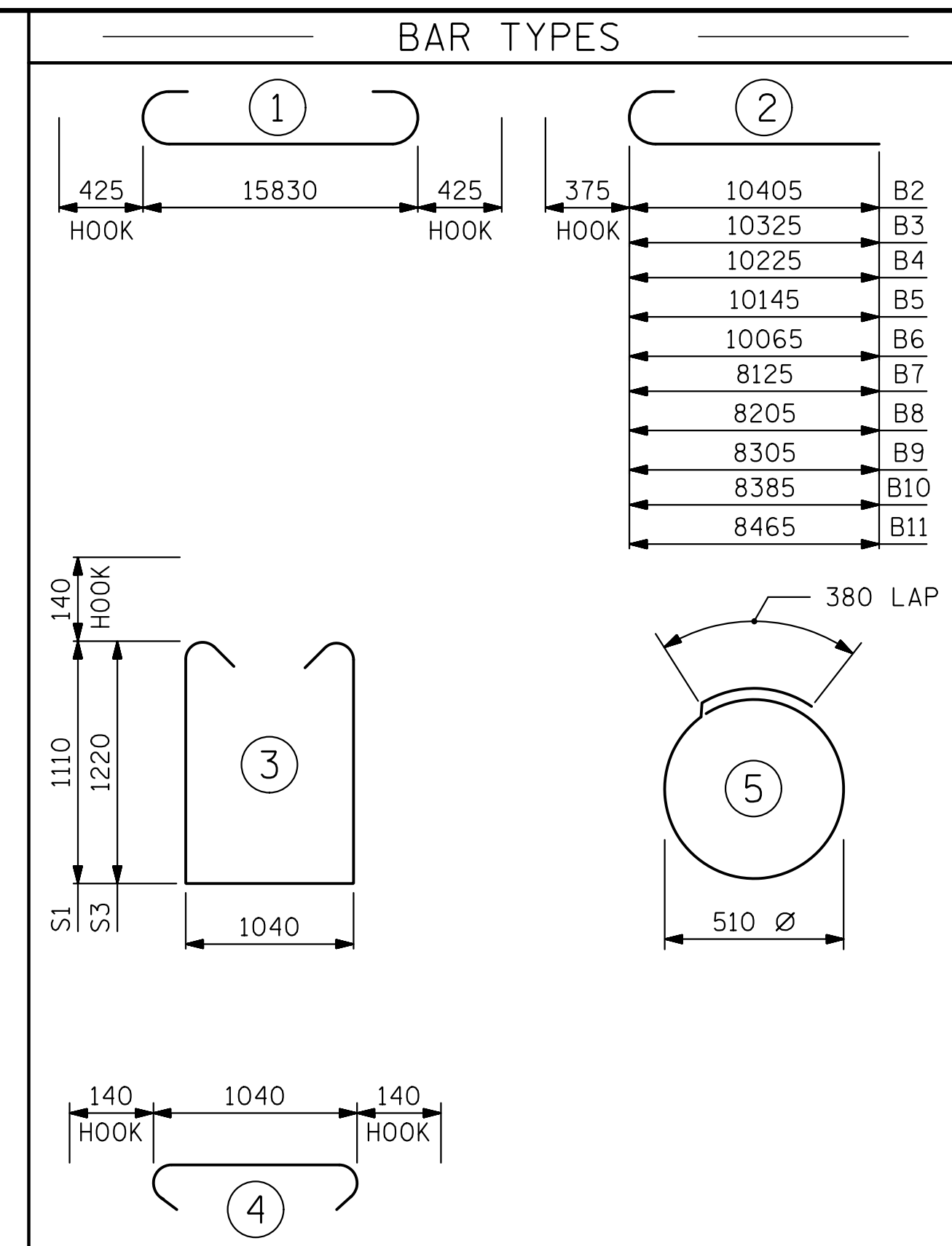
NO SEPARATE PAYMENT WILL BE MADE FOR THIS WORK AND THE ENTIRE COST OF THIS WORK SHALL BE INCLUDED IN THE UNIT CONTRACT PRICE FOR THE SEVERAL PAY ITEMS.

TEMPORARY DRAINAGE AT END BENT



PILE SPLICE DETAILS

POSITION OF PILE DURING WELDING.

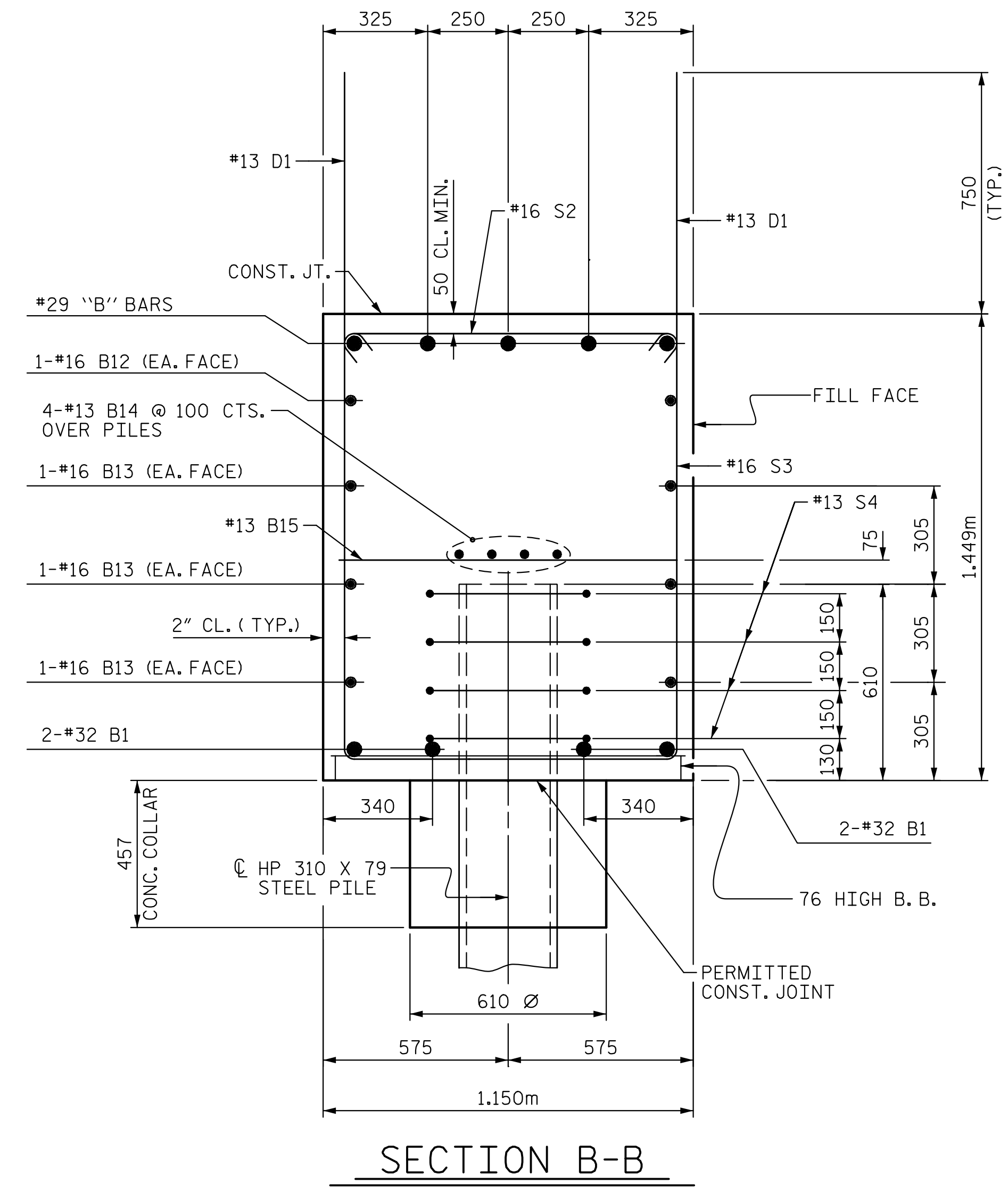
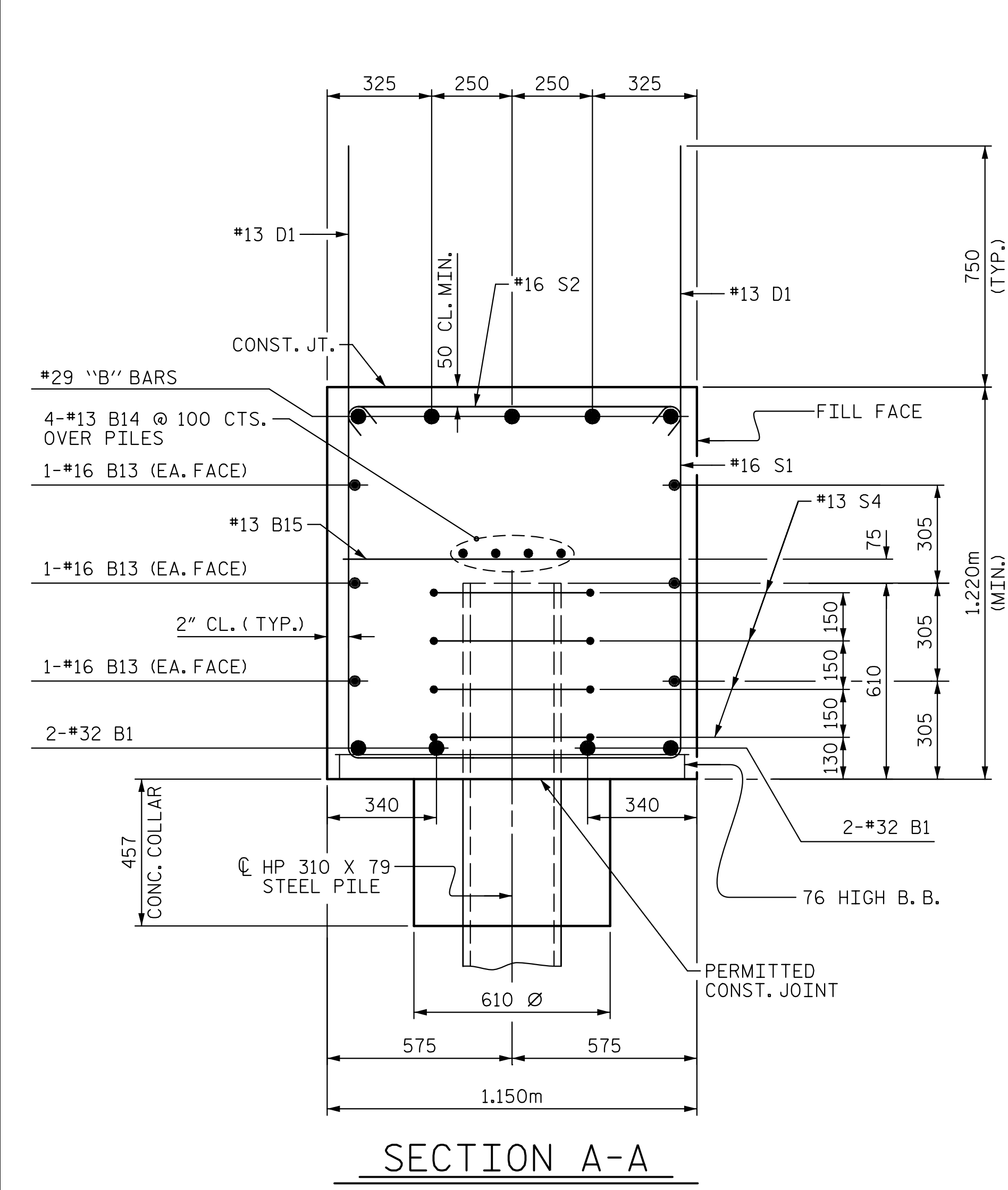


ALL BAR DIMENSIONS ARE OUT TO OUT.

END BENT No. 1
HP 310 X 79 STEEL PILES
NO: 10 METERS = 246

PILE REDRIVES NO. 5

REINFORCING STEEL		2106 kg
CLASS A CONCRETE BREAKDOWN		
POUR #1 CAP, LOWER PART OF WINGS & COLLARS		27.4m ³
TOTAL CLASS A CONCRETE		27.4m ³

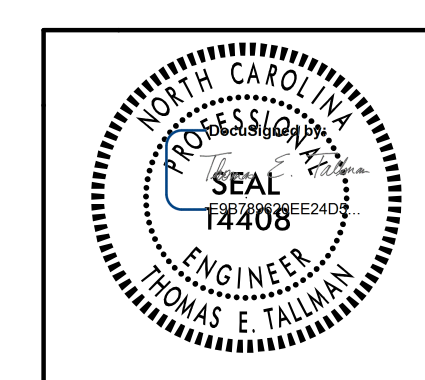


PROJECT NO. R-2413CA
ROCKINGHAM COUNTY
STATION: 90+64.493 -LREV-SB-

SHEET 3 OF 3

STATE OF NORTH CAROLINA
DEPARTMENT OF TRANSPORTATION
RALEIGH

SUBSTRUCTURE
END BENT #1
DETAILS



REVISIONS				SHEET NO.	
NO.	BY:	DATE:	NO.	BY:	DATE:
1			3		
2			4		

TOTAL SHEETS: 28

2/20/2015 10:58:11 AM C:\Users\T.E.Tallman\Documents\Projects\2015\2413CA\2413CA.dwg
 T.E. Tallman
 T.E. Tallman

DRAWN BY: D. H. CARTER DATE: FEB 2015
 CHECKED BY: T. E. TALLMAN DATE: FEB 2015
 DESIGN ENGINEER OF RECORD: T. E. TALLMAN DATE: FEB 2015