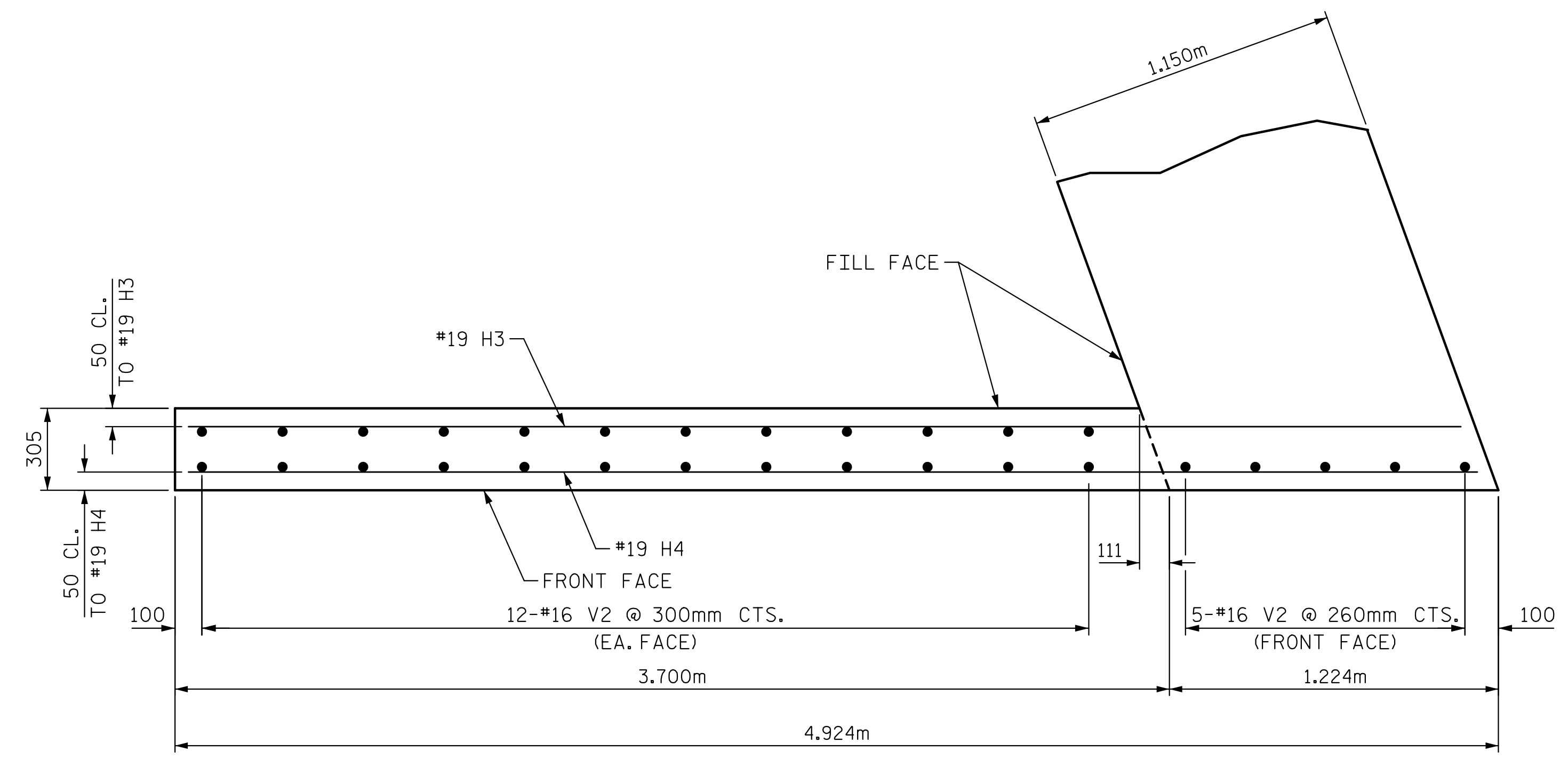
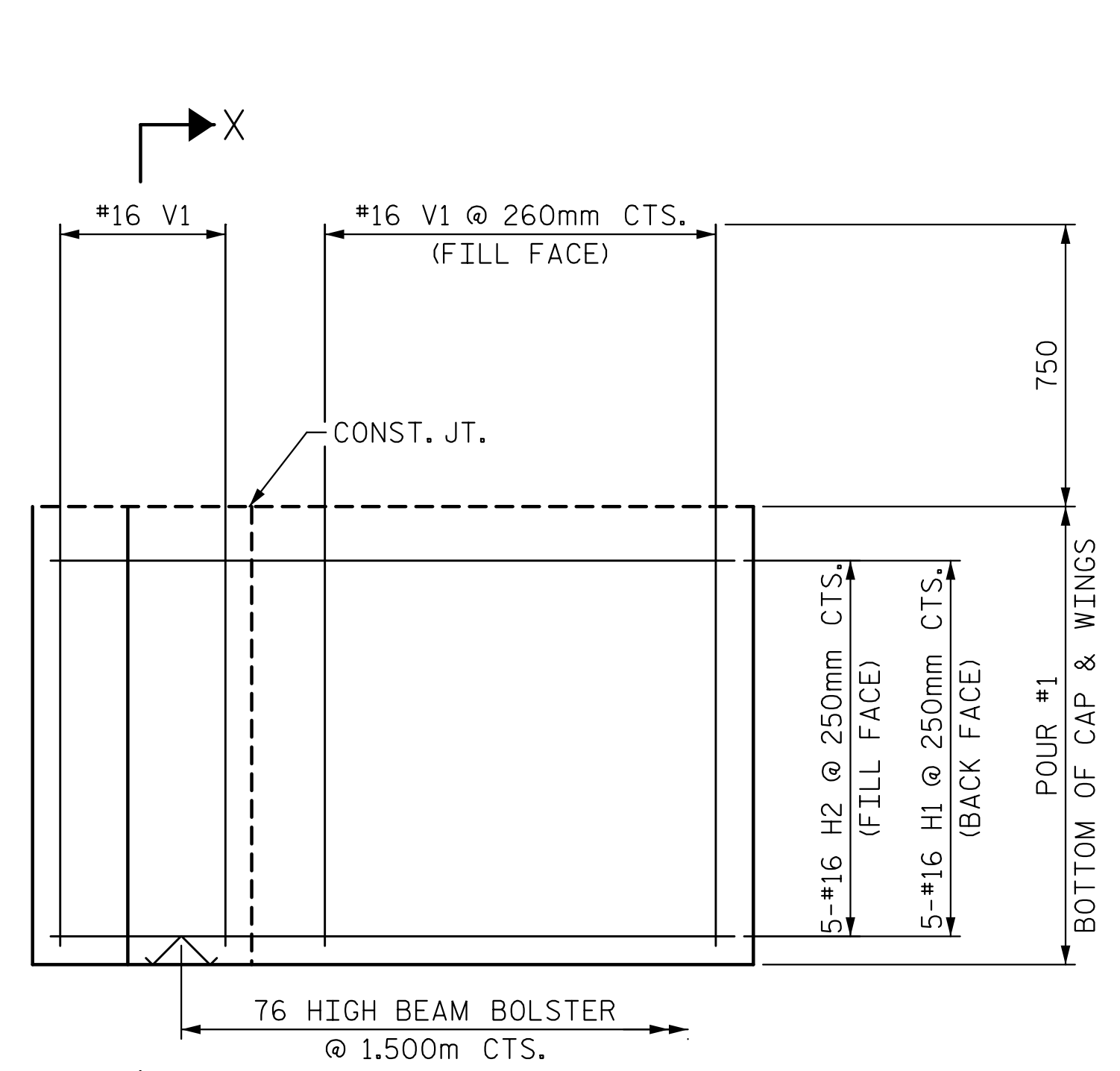


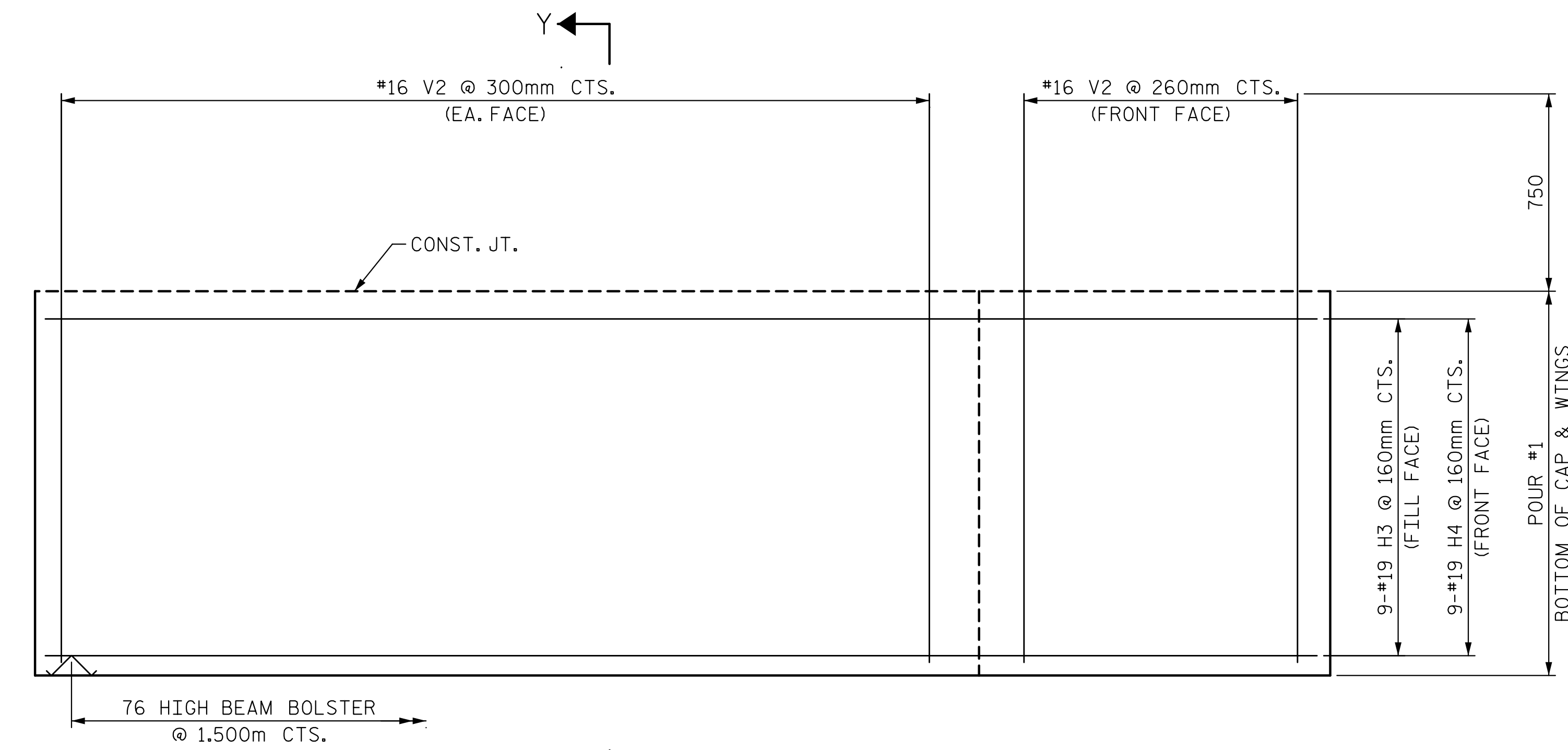
PLAN OF WING (W1)



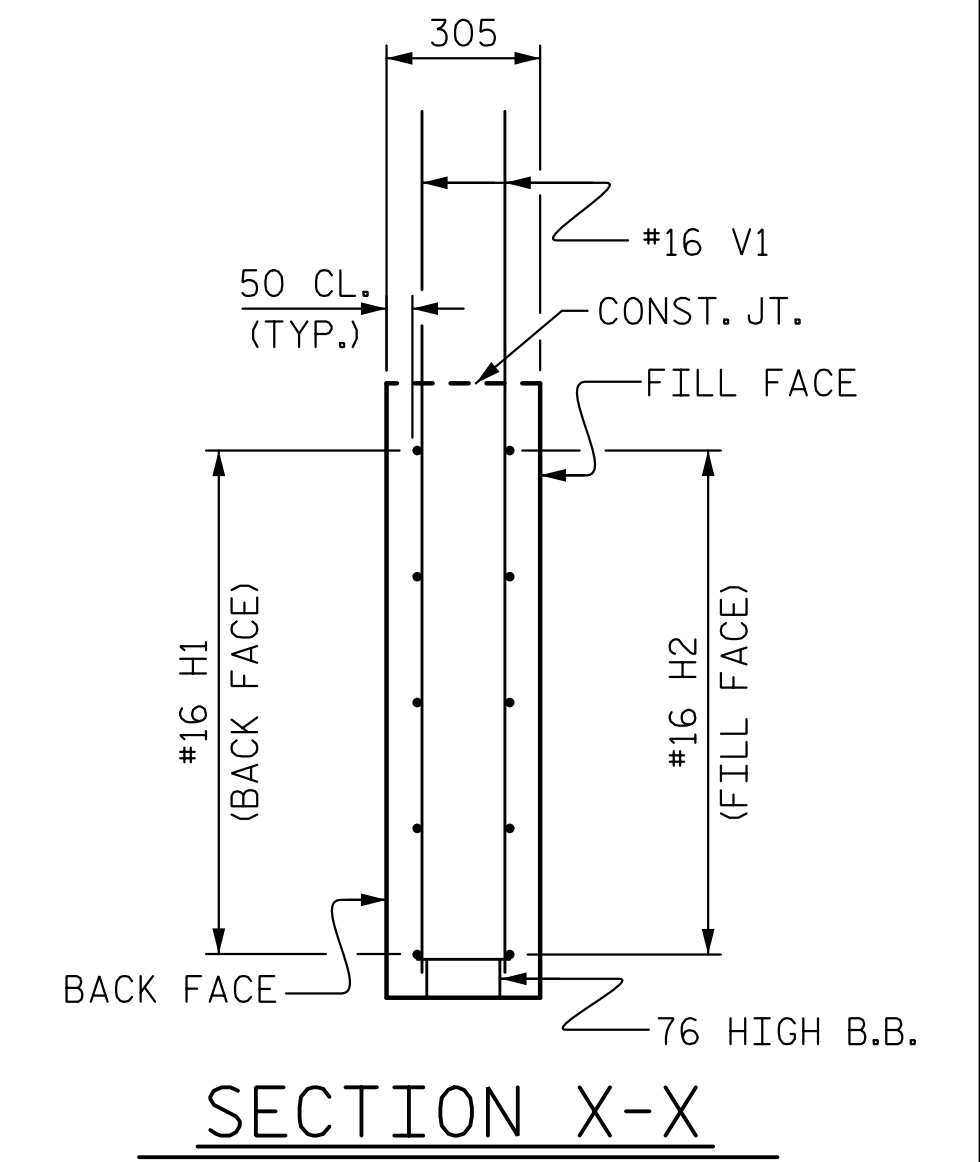
PLAN OF WING (W2)



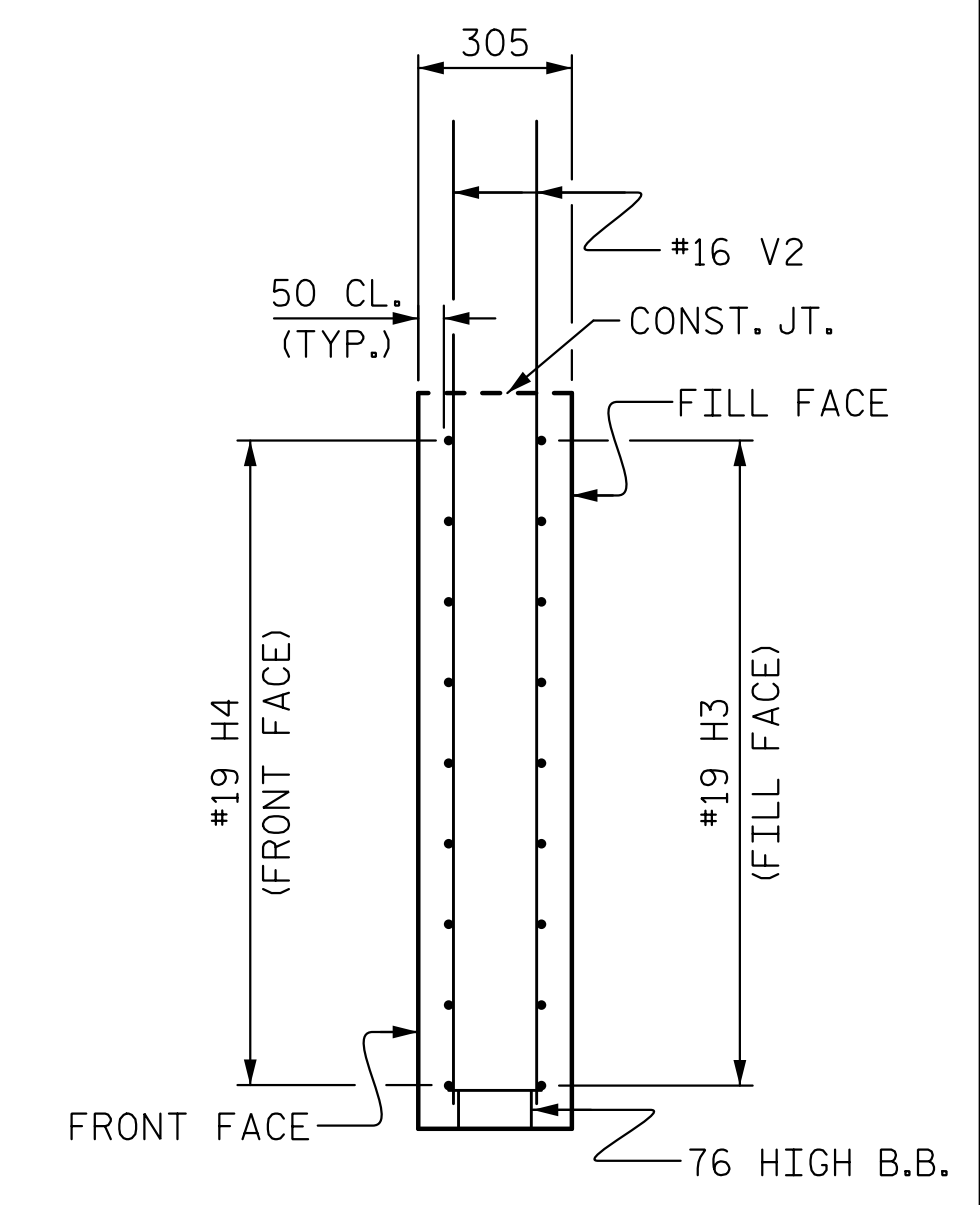
ELEVATION OF WING (W1)



ELEVATION OF WING (W2)

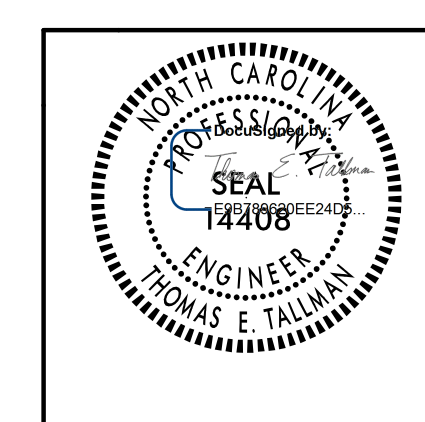


SECTION X-X



SECTION Y-Y

PROJECT NO. R-2413CA
 ROCKINGHAM COUNTY
 STATION: 90+64.493 -LREV-SB-
 SHEET 2 OF 3



STATE OF NORTH CAROLINA DEPARTMENT OF TRANSPORTATION RALEIGH					
SUBSTRUCTURE					
INTEGRAL END BENT 1					
REVISIONS					
NO.	BY:	DATE:	NO.	BY:	DATE:
1			3		
2			4		
SHEET NO. S01-21					TOTAL SHEETS 28



2/20/2015
 C:\Users\pep\Documents\Projects\2015\2413CA\Drawings\W1\W1.dwg
 T.E. Tallman
 P.E.

DRAWN BY : D. H. CARTER DATE : FEB 2015
 CHECKED BY : T. E. TALLMAN DATE : FEB 2015
 DESIGN ENGINEER OF RECORD : T. E. TALLMAN DATE : FEB 2015