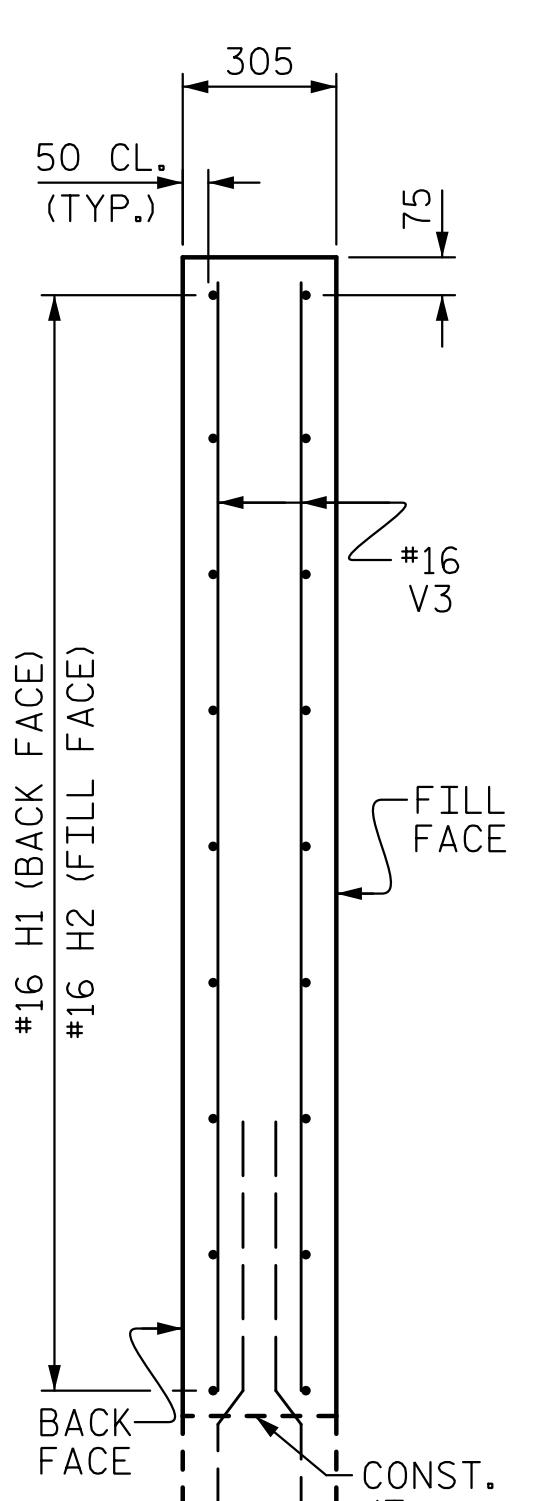
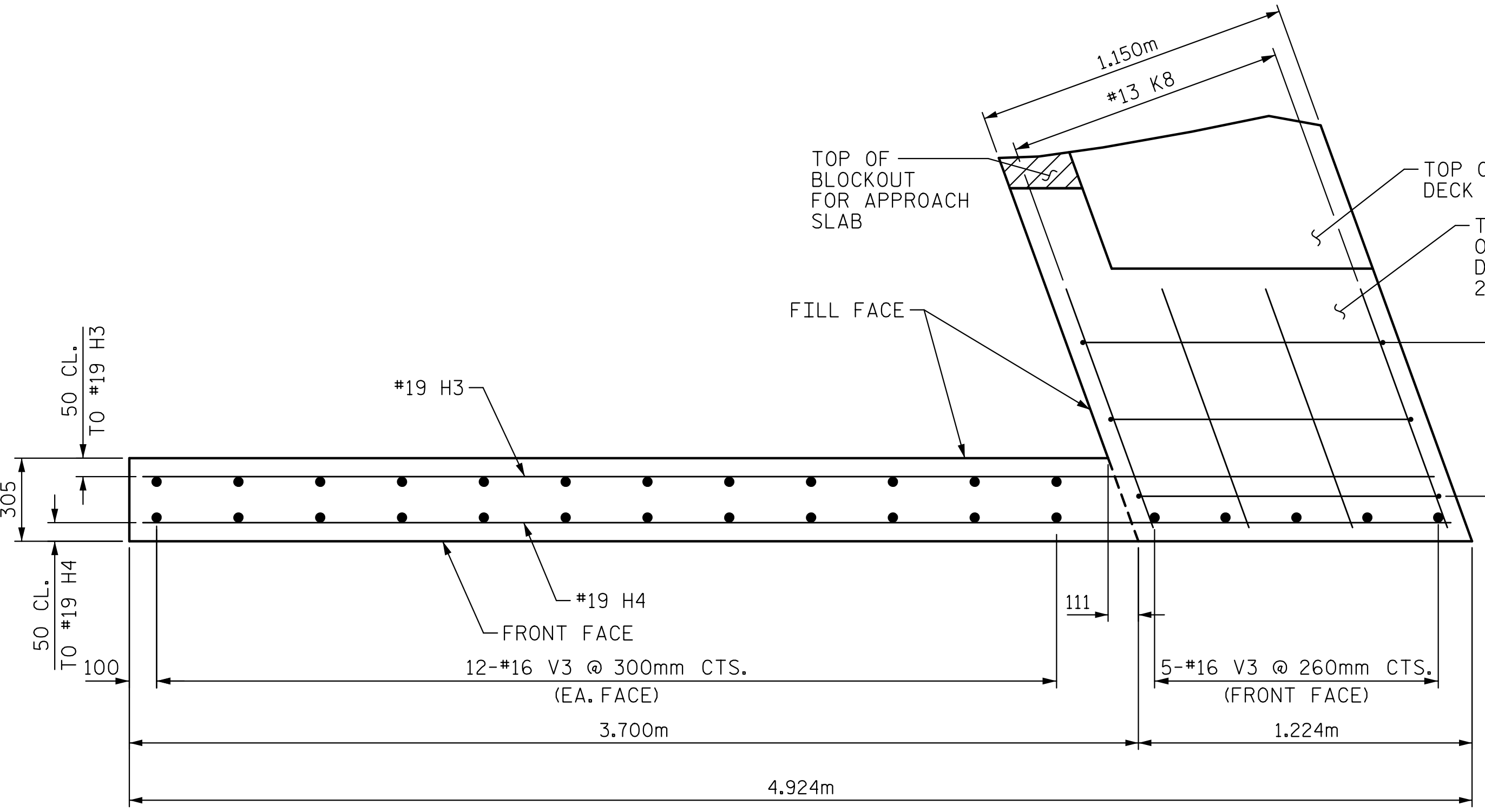


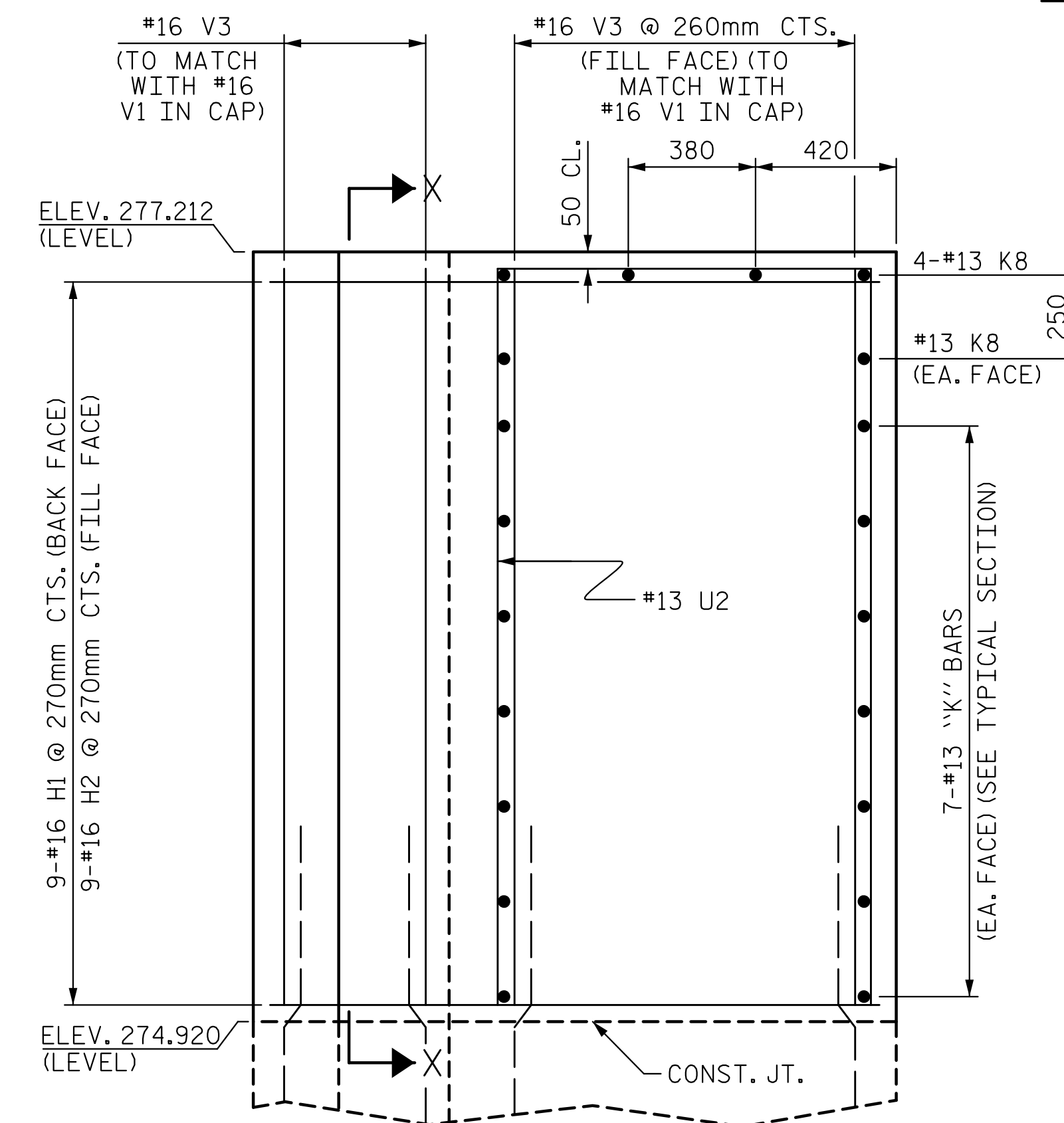
PLAN OF WING (W1)



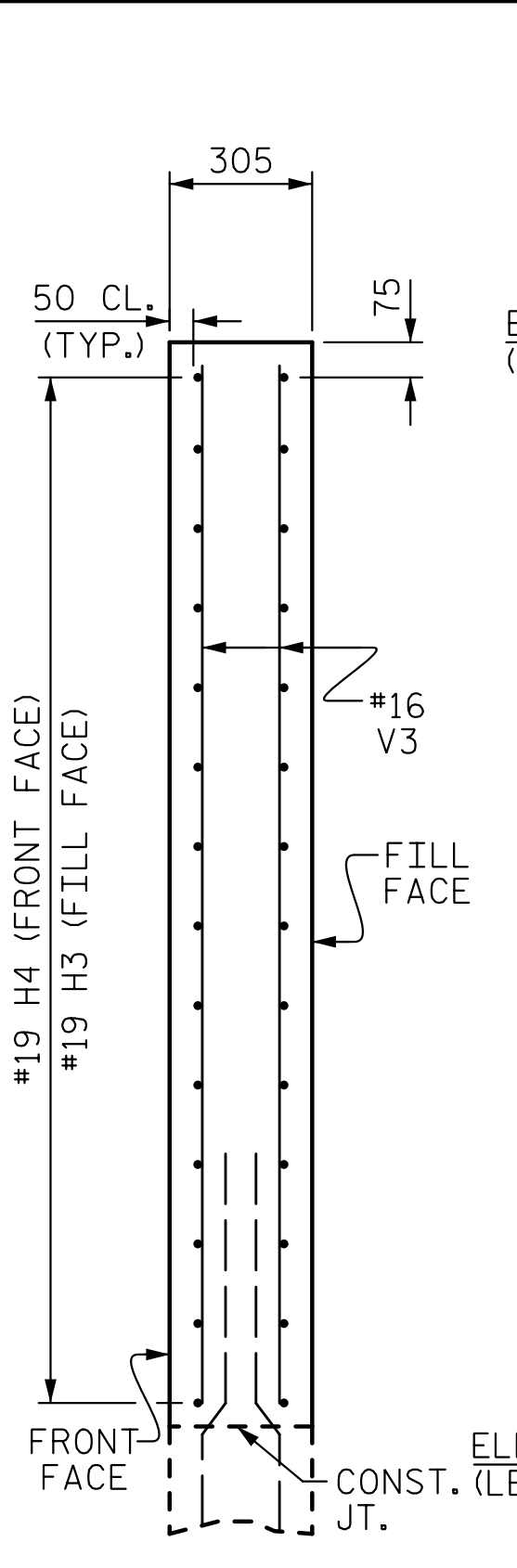
SECTION X-X



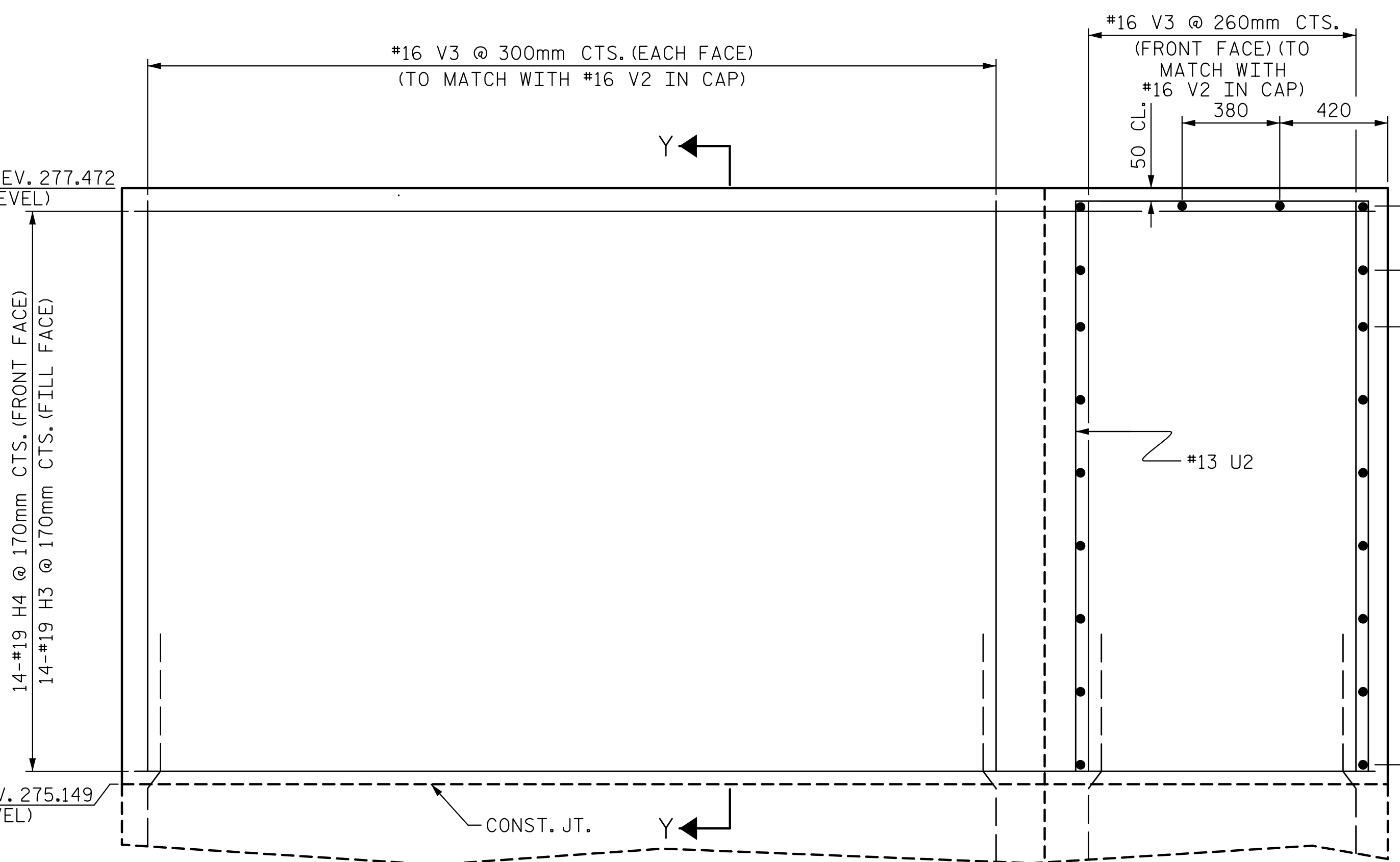
PLAN OF WING (W2)



ELEVATION OF WING (W1)

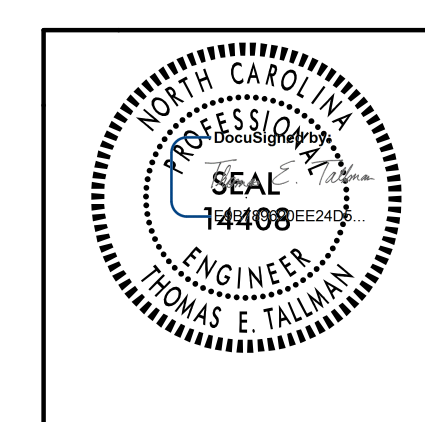


SECTION Y-Y



ELEVATION OF WING (W2)

PROJECT NO. R-2413CA
 ROCKINGHAM COUNTY
 STATION: 90+64.493 -LREV-SB-
 SHEET 4 OF 5



STATE OF NORTH CAROLINA
 DEPARTMENT OF TRANSPORTATION
 RALEIGH
 SUBSTRUCTURE
 TOP OF WINGS
 END BENT #1

REVISIONS						SHEET NO.	
NO.	BY:	DATE:	NO.	BY:	DATE:	S01-10	
1			3			TOTAL SHEETS	
2			4			28	



2/20/2015 10:58:56 AM C:\Users\Tallman\Documents\Projects\10_R2413C.sd.ps.04.dgn
 TCA Engineering, Inc.

DRAWN BY: D. H. CARTER DATE: FEB 2015
 CHECKED BY: T. E. TALLMAN DATE: FEB 2015
 DESIGN ENGINEER OF RECORD: T. E. TALLMAN DATE: FEB 2015