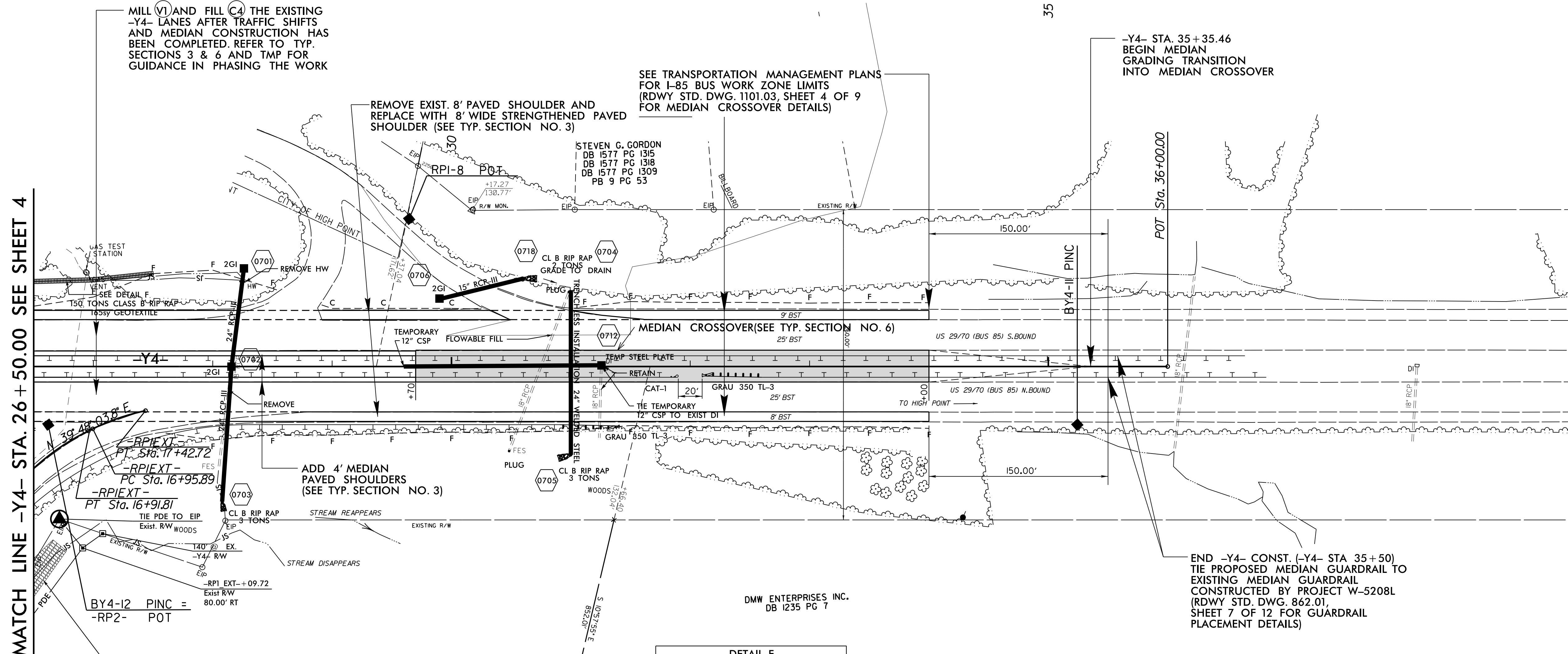
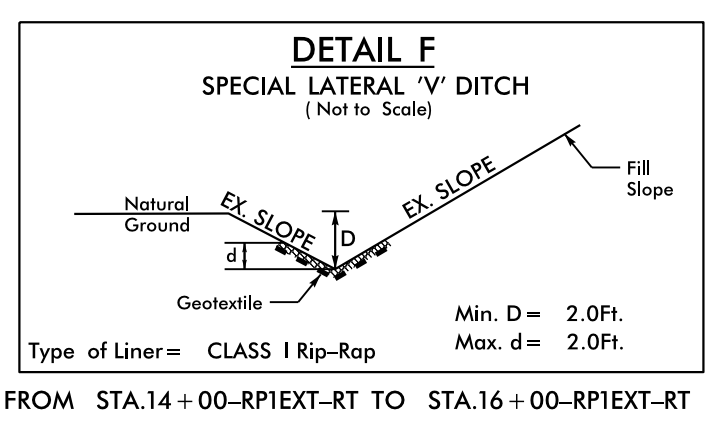
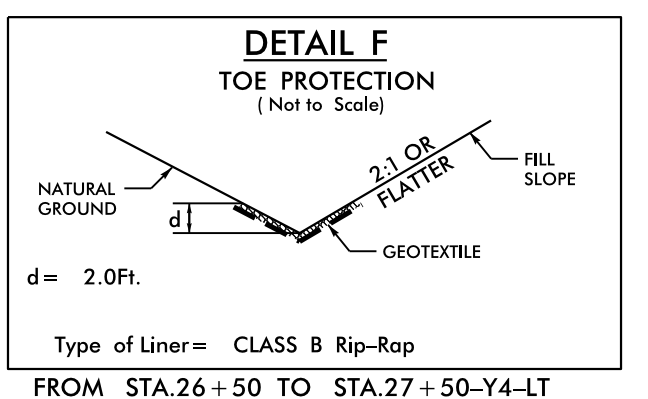


SEE SHEET 9 FOR PROFILE
SEE SHEET 2A-3 FOR MEDIAN CROSSOVER DETAIL

NAD 83 COR 96



MATCH LINE -Y4- STA. 26 + 50.00 SEE SHEET 4



10
RONALD W. MCKAGUE AND WIFE
JUDITH R. MCKAGUE
DB 2040 PG 2255

REVISIONS

8/17/99

P:\APR-2015\10:00\B5114-Rdwy-bsh7.dgn
3:44:50 PM 4/14/2015