

STATE OF NORTH CAROLINA
 DEPT. OF TRANSPORTATION
 DIVISION OF HIGHWAYS
 RALEIGH, N.C.

1-12

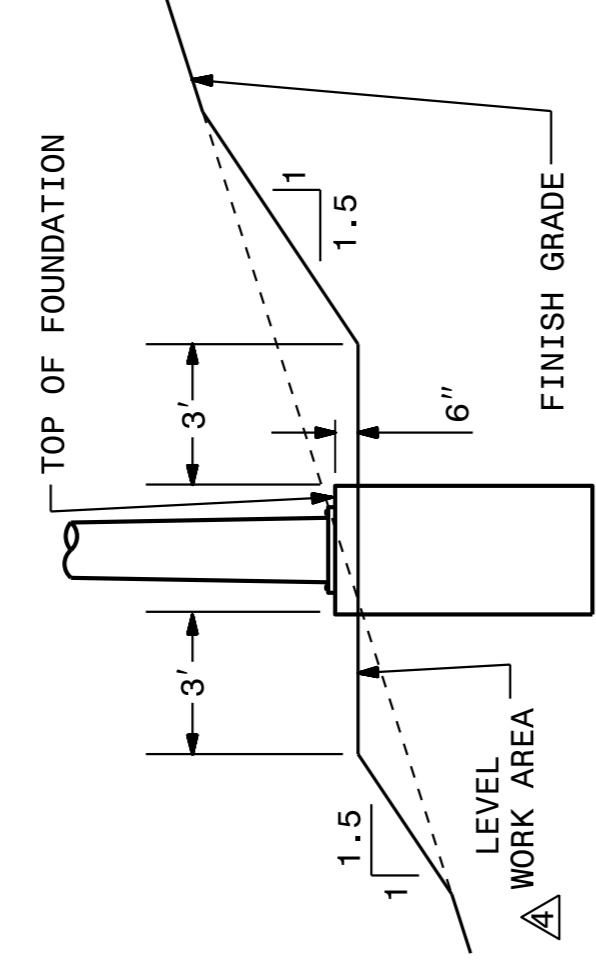
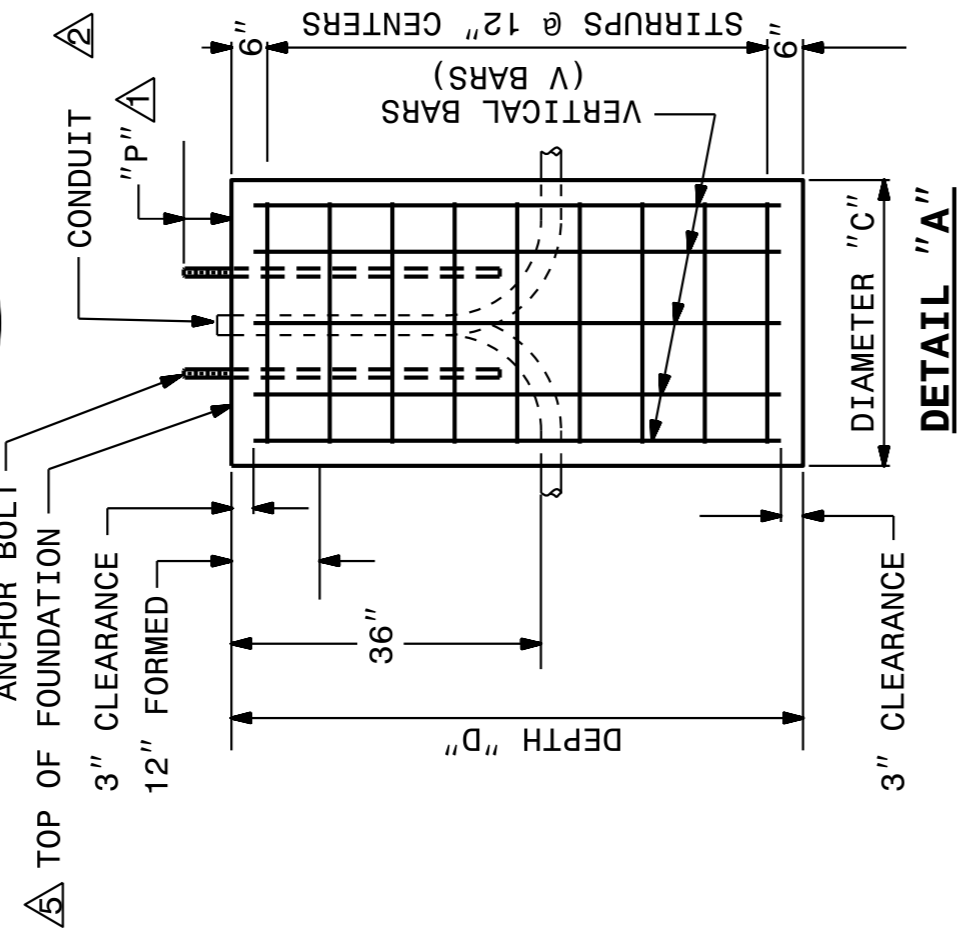
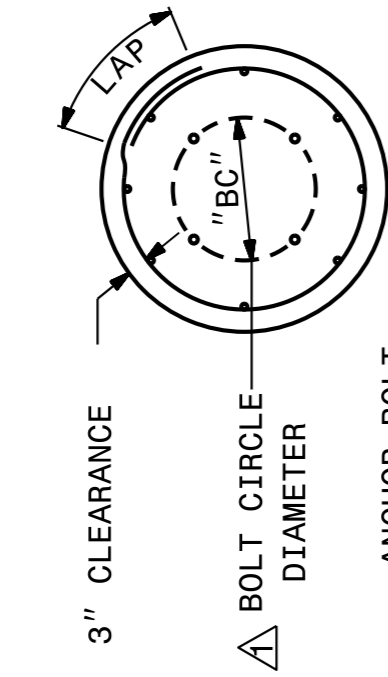
ENGLISH STANDARD DRAWING FOR
HIGH MOUNT FOUNDATION

SHEET 1 OF 1
1402D01

TABLE OF FOUNDATION DIMENSIONS AND QUANTITIES

HEIGHT OF HIGH MOUNT FT	DIAMETER "C" FT	STIRRUPS		WIND VELOCITY MPH													
		SIZE	LAP-FT	90		110		130									
				V BARS QTY	REINF. * STEEL LBS	CONCRETE CY	DEPTH "D" FT	V BARS QTY	REINF. * STEEL LBS	CONCRETE CY	DEPTH "D" FT	V BARS QTY	REINF. * STEEL LBS	CONCRETE CY			
60	3.5	#3	1.0	8	#8	280	3.9	12	8	#8	306	4.3	13	8	#8	331	4.6
80	3.5	#3	1.0	8	#8	306	4.3	13	8	#8	331	4.6	15	8	#8	382	5.3
100	4.0	#3	1.0	8	#9	413	6.1	15	8	#9	477	7.0	16	8	#9	509	7.4
120	4.5	#3	1.0	8	#10	557	8.2	16	8	#10	636	9.4	18	8	#10	716	10.6

* INCLUDES STIRRUPS AND VERTICAL BARS (V BARS)



DETAIL "B"

NOTES

- ANCHOR BOLTS
 CONFORM NUMBER, SIZE, AND LENGTH OF ANCHOR BOLTS, BOLT CIRCLE DIAMETER "BC", AND ANCHOR BOLT PROJECTION "P" TO APPROVED HIGH MOUNT STANDARD DRAWINGS.
- CONDUITS
 MATCH ORIENTATION, QUANTITY, TYPE, AND SIZE OF CONDUITS TO THE LAYOUT SHEETS. STUB AND CAP ONE SPARE CONDUIT AT EACH FOUNDATION. PROJECT FOUNDATION A MAXIMUM OF 2" ABOVE TOP OF FOUNDATION. PLACE CONDUIT 30" BENEATH FINISH GRADE. INCLUDE 3/4" CONDUIT FOR GROUNDING ELECTRODE CONDUCTOR TO GROUND ROD AT HIGH MAST FOUNDATION.
- DIMENSIONS & QUANTITIES
 DIMENSIONS AND QUANTITIES OF CONCRETE AND REINFORCING STEEL ARE GIVEN FOR THE PURPOSE OF OBTAINING BID PRICES ONLY. SEE PROJECT SPECIAL PROVISIONS FOR OTHER STRUCTURAL REQUIREMENTS.
- WORK AREA
 PROVIDE A LEVEL WORK AREA AROUND EACH FOUNDATION. CUT/FILL SLOPES MAY BE ADJUSTED AS DIRECTED BY THE ENGINEER.
- ELEVATION
 SET TOP OF FOUNDATION AT .6" ABOVE LEVEL WORK AREA. SEE DETAIL "B".
- GUARDRAIL
 WHERE GUARDRAIL IS REQUIRED TO BE INSTALLED AS PART OF LIGHTING WORK, SET GUARDRAIL NO MORE THAN 8' FROM CENTER OF HIGH MAST FOUNDATION.

STATE OF NORTH CAROLINA
 DEPT. OF TRANSPORTATION
 DIVISION OF HIGHWAYS
 RALEIGH, N.C.

1-12

ENGLISH STANDARD DRAWING FOR
HIGH MOUNT FOUNDATION

SHEET 1 OF 1
1402D01

STATE OF NORTH CAROLINA
 DEPT. OF TRANSPORTATION
 DIVISION OF HIGHWAYS
 RALEIGH, N.C.

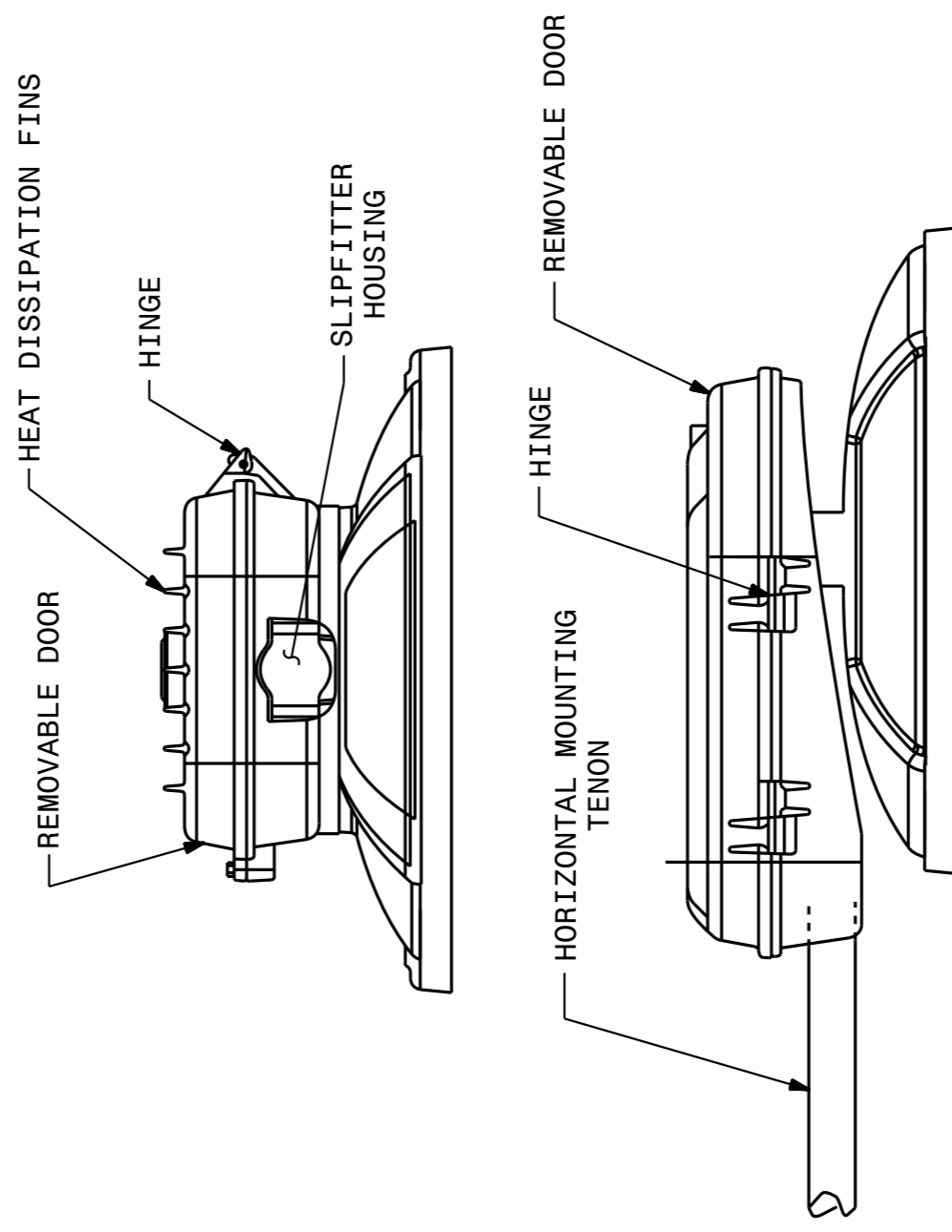
1-12

ENGLISH STANDARD DRAWING FOR
HIGH MOUNT LED LUMINAIRES

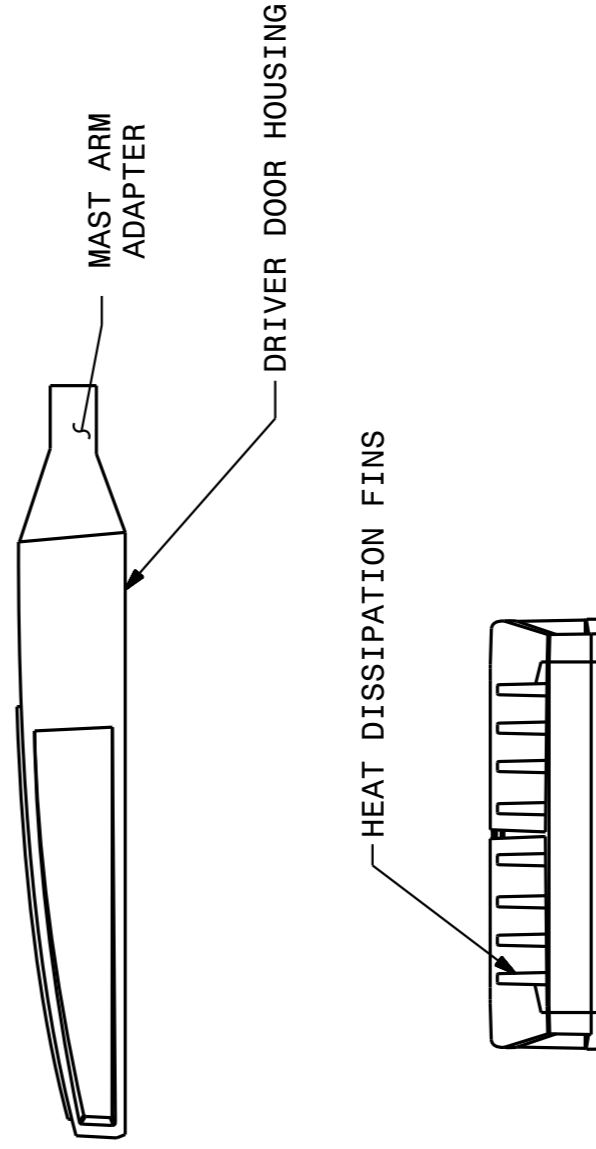
SHEET 1 OF 1
1403D01

TYPICAL CONFIGURATION TYPES

TYPE B



TYPE A



LED LUMEN PACKAGES

MOUNTING HEIGHT	# OF LUMINAIRES	MAXIMUM LUMINAIRE WATTAGE	MINIMUM LUMINAIRE DELIVERED (LUMENS)	MINIMUM L70 RATING (HOURS)	MINIMUM WARRANTY	COLOR TEMP.
60'	4	320	30,000	100,000	5 YEAR	4,000K
80'	8	320	30,000	100,000	5 YEAR	4,000K
100'	6	550	53,000	100,000	5 YEAR	4,000K
120'	8	550	53,000	100,000	5 YEAR	4,000K

NOTES

- SEE PLANS FOR LIES DISTRIBUTION

STATE OF NORTH CAROLINA
 DEPT. OF TRANSPORTATION
 DIVISION OF HIGHWAYS
 RALEIGH, N.C.

1-12

ENGLISH STANDARD DRAWING FOR
HIGH MOUNT LED LUMINAIRES

SHEET 1 OF 1
1403D01

2			
1			
Rev.	Date	Description	Approved
NORTH CAROLINA DEPARTMENT OF TRANSPORTATION ROADWAY DESIGN LIGHTING/ELECTRICAL SECTION HIGH MOUNT FOUNDATION AND LED LUMINAIRE DETAILS I-485/OAKDALE ROAD INTERCHANGE MECKLENBURG COUNTY			
Drawn By:	RGH	Approved By:	PC
Dwg No.:			

