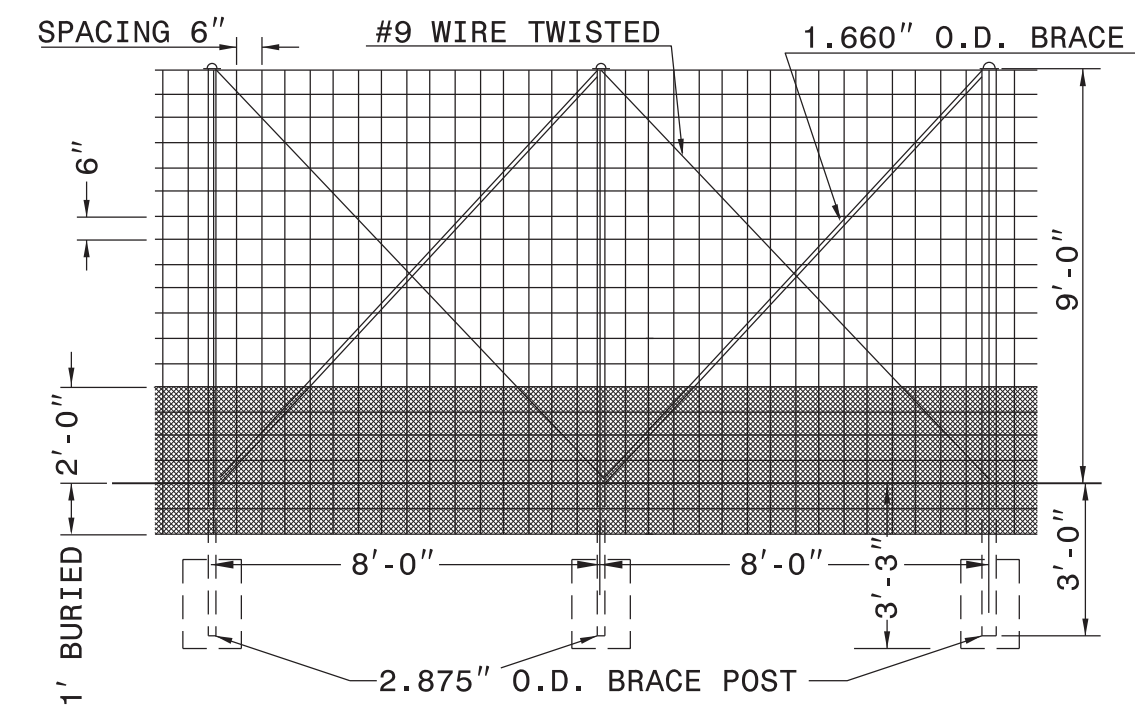
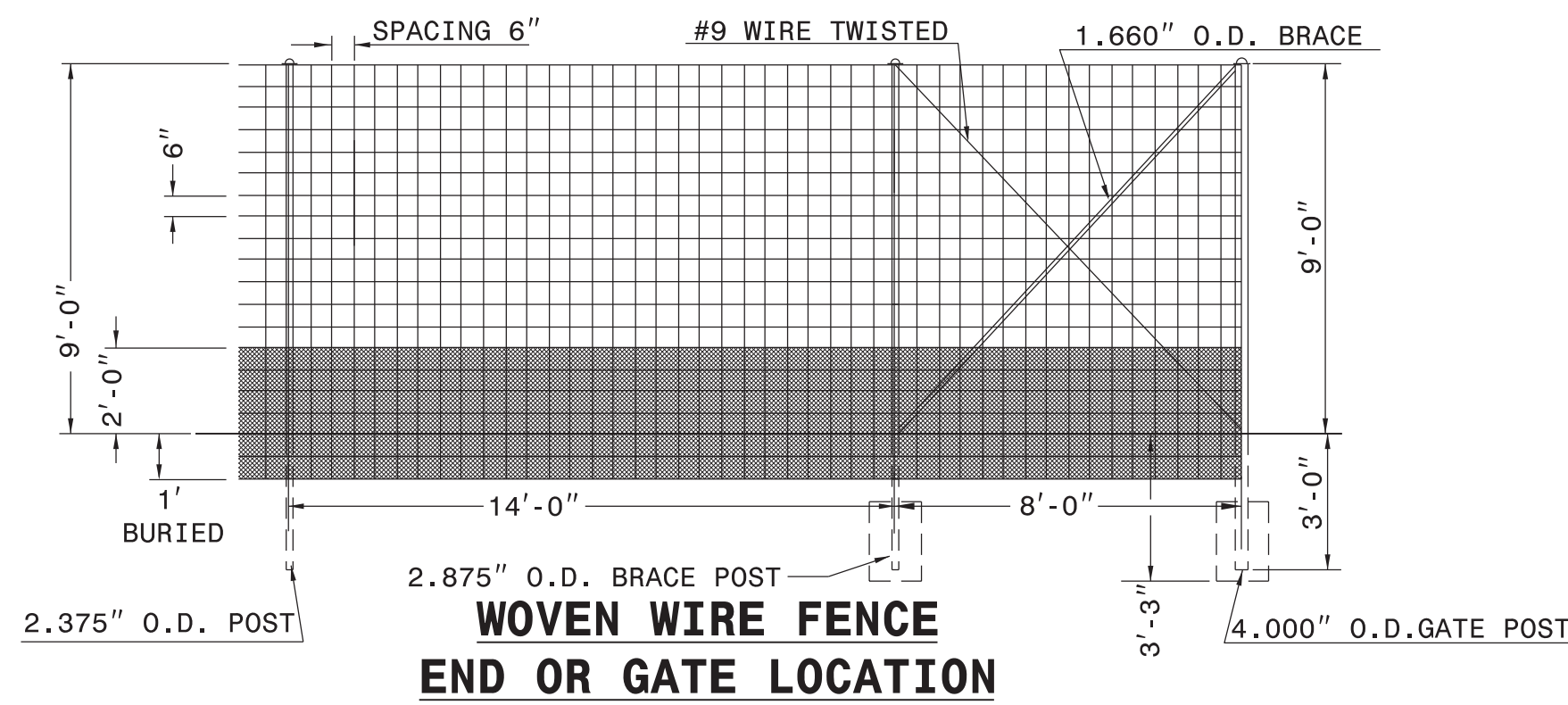


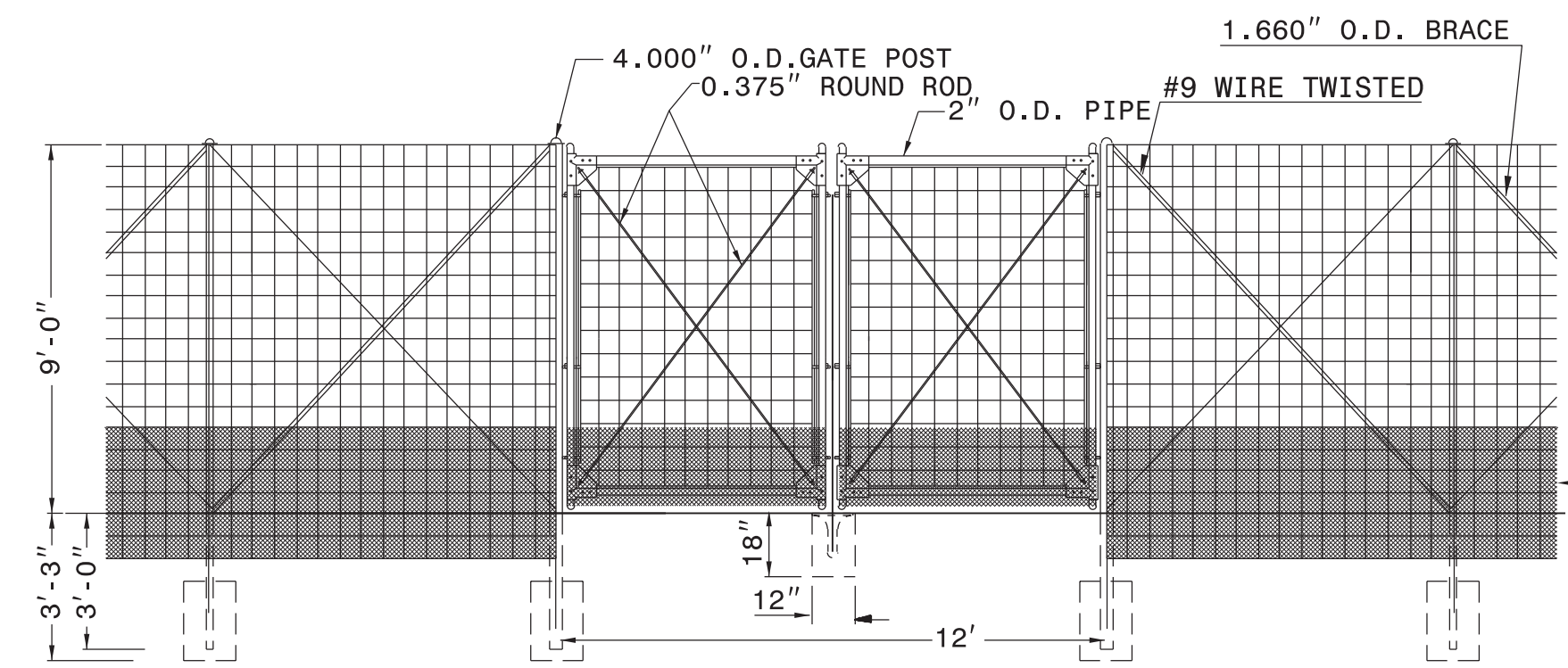
**GENERAL NOTES:**

- INSTALL THE FENCE FACING THE PROPERTY OWNER EXCEPT ON HORIZONTAL CURVES GREATER THAN THREE DEGREES, INSTALL THE FENCE TO PULL AGAINST ALL POSTS.
- IN LIEU OF 2.375" O.D. TUBULAR POSTS 2 1/2" x 2 1/2" x 1/4" ANGLE SECTIONS MAY BE USED.
- IN LIEU OF 1.660" O.D. TUBULAR BRACES 2" x 2" x 1/4" ANGLE SECTIONS MAY BE USED.

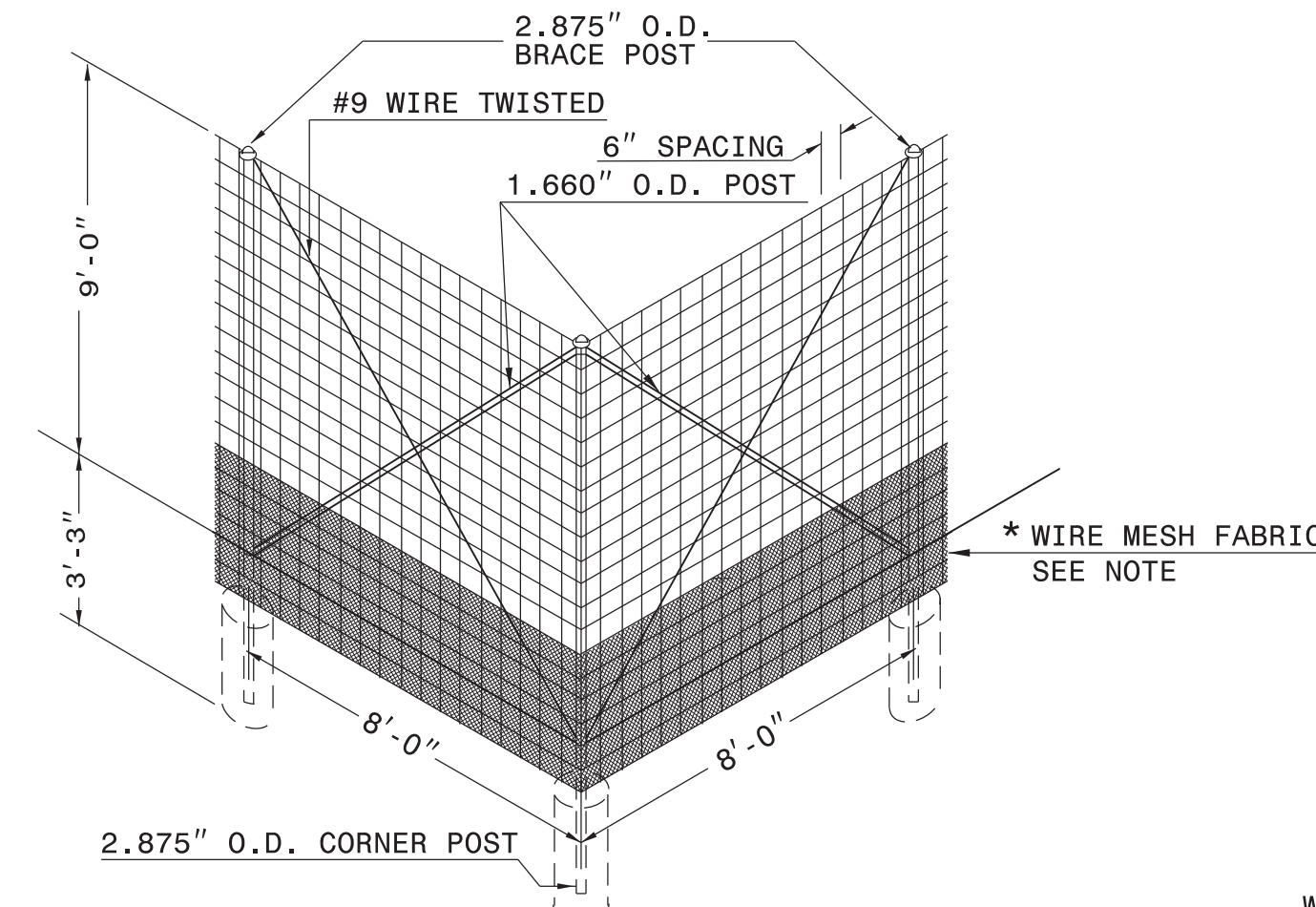
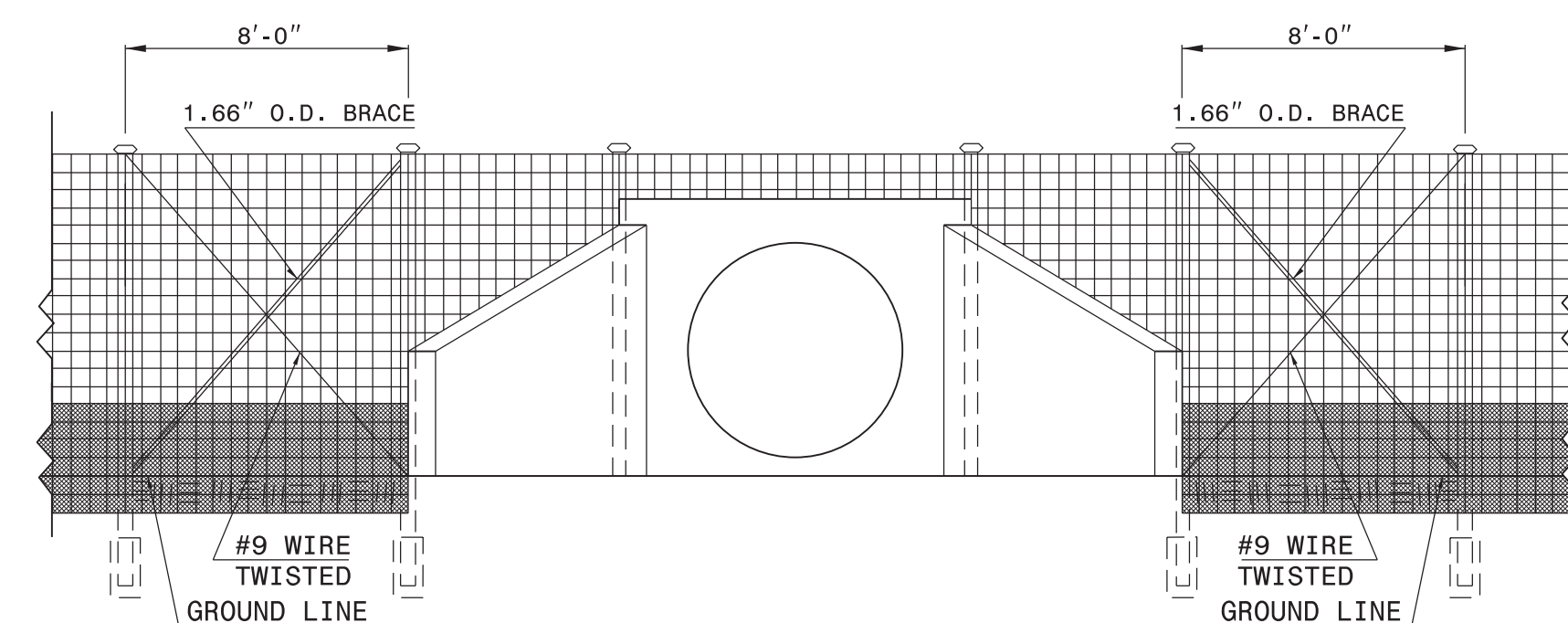
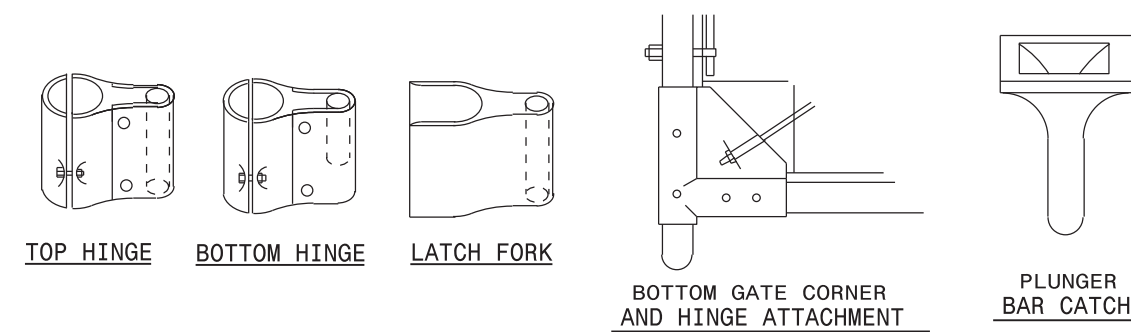


PLACE THE BRACE WIRE AROUND THE POST. DRAW THE WIRE TAUT BY TWISTING BETWEEN EACH POST. THIS APPLIES TO ALL BRACE WIRES.

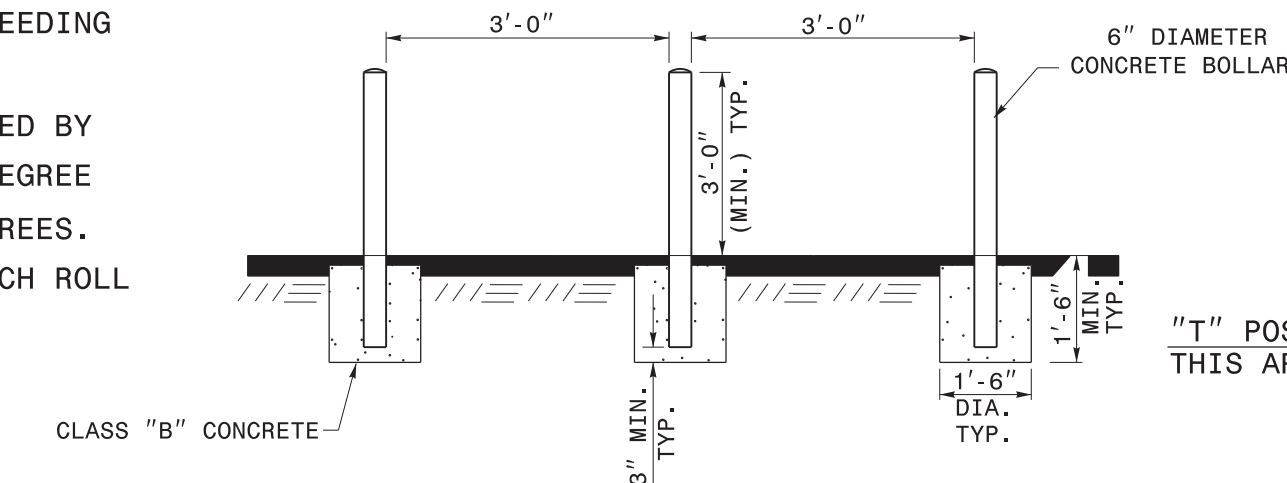
ERECT LINE BRACES BETWEEN END, CORNER OR GATE POSTS AT INTERVALS NOT EXCEEDING 324 FEET. THIS MAXIMUM INTERVAL MAY BE REDUCED BY THE ENGINEER ON CURVES WHERE THE DEGREE OF CURVATURE IS GREATER THAN 3 DEGREES. PLACE LINE BRACES AT THE END OF EACH ROLL OR PIECE OF WOVEN WIRE.



USE LATCH DEVICE APPROVED BY THE ENGINEER. HINGE ASSEMBLY, AS DETAILED, IS SUGGESTED. SUBSTITUTION MAY BE MADE SUBJECT TO THE APPROVAL OF THE ENGINEER.

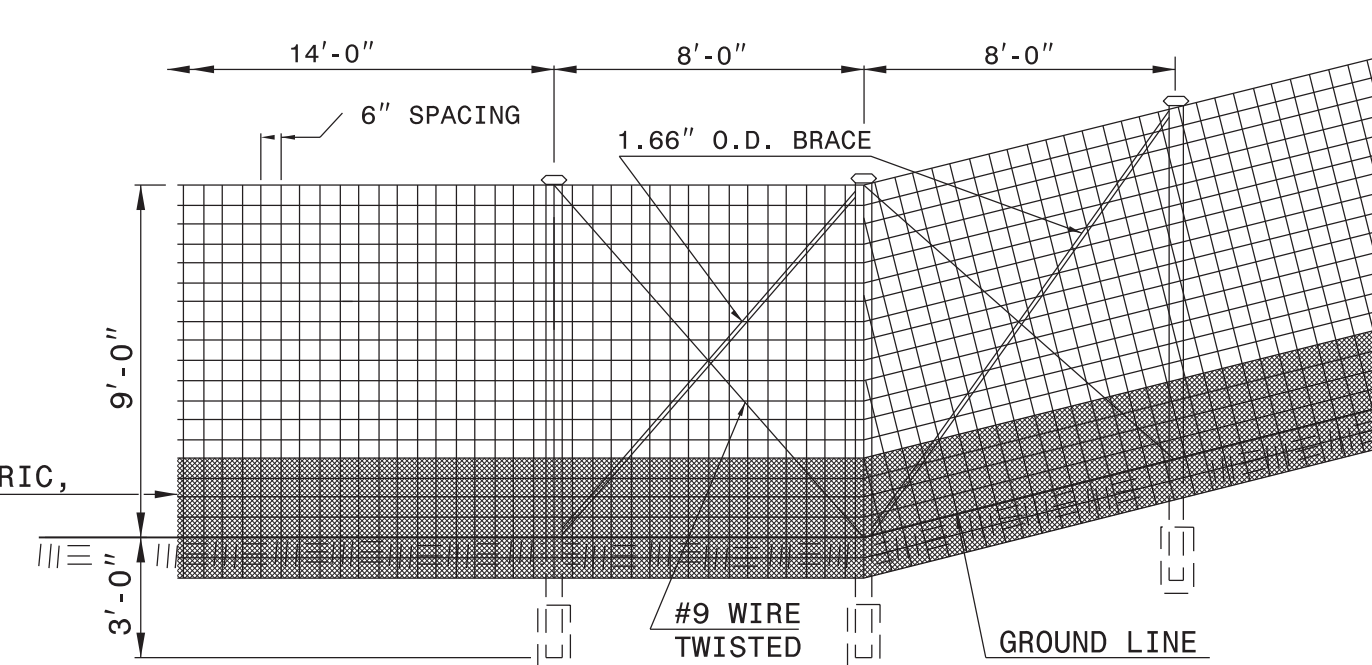


USE WHEN CORNER ANGLE IS 15° OR GREATER

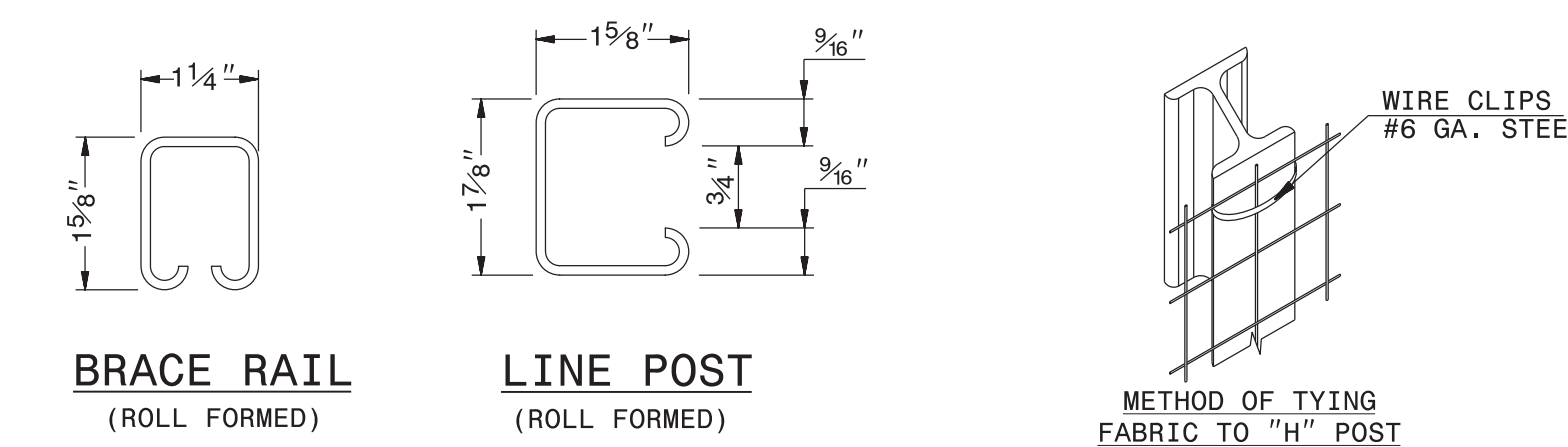


**BOLLARDS FOR BLOCKING DRIVEWAYS AND OTHER ENTRANCES**

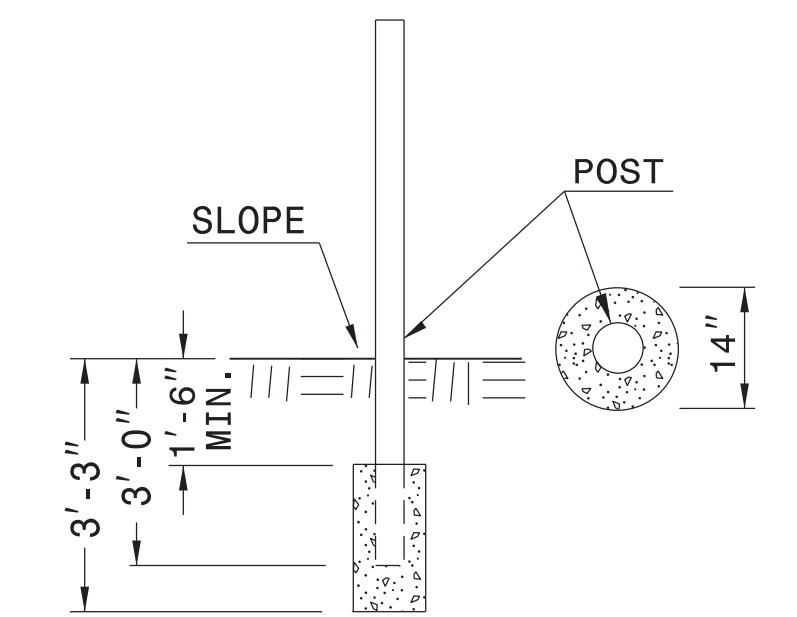
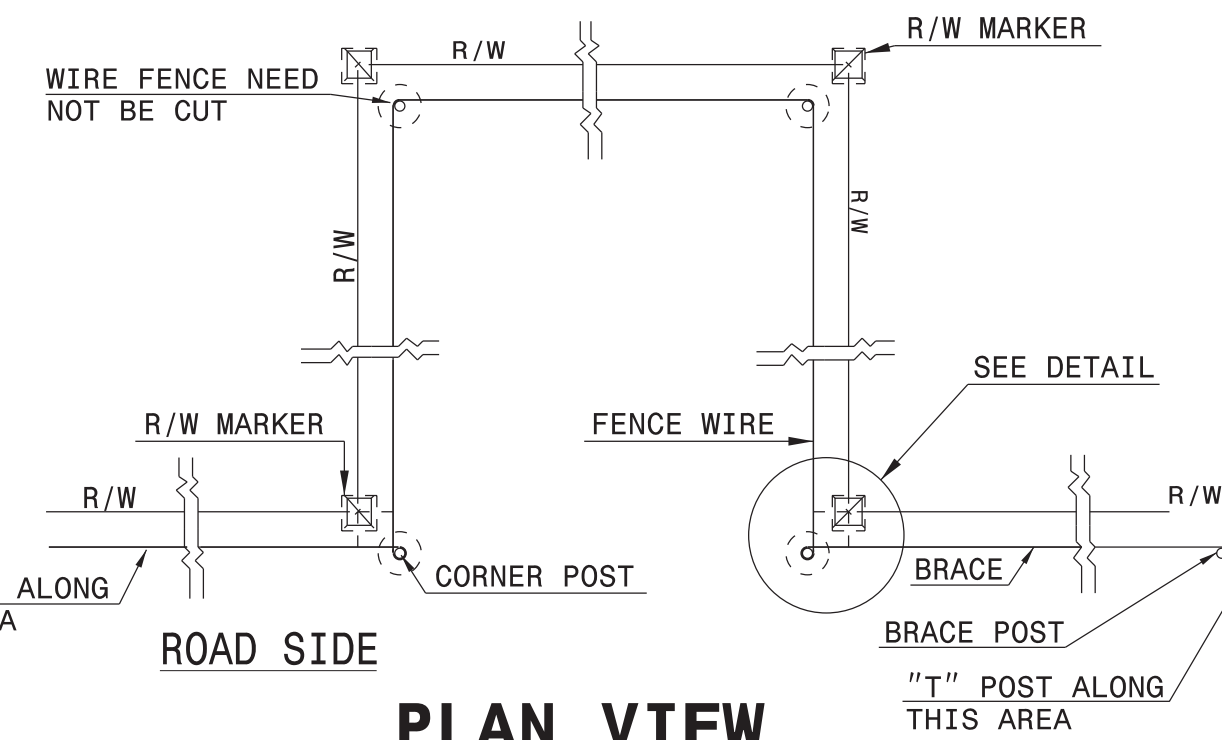
INSTALL IN ADDITION TO FENCE WHERE SHOWN IN PLANS OR WHERE DIRECTED BY THE ENGINEER



**DETAIL SHOWING METHOD OF CONSTRUCTING FENCE ON SHARP BREAK IN GRADE**



ROLL FORMED LINE POST MAY BE DRIVEN TO A MINIMUM OF 3'-0" IN LIEU OF CONCRETE ANCHOR, UNLESS OTHERWISE DIRECTED BY THE ENGINEER.



USE CONCRETE FOOTING ON ALL CORNER, END, GATE AND BRACE POSTS.



3/25/2015

DocuSigned by:  
Joel Howerton

\* - 1/4" x 1/4" OPENING, 23 GAUGE HOT DIPPED GALVANIZED WIRE MESH.

- MESH TIES @ 24' CENTERS TO WELDED FABRIC. 18 GA OR 20 GA STAINLESS STEEL.

**CONTRACTS STANDARDS AND DEVELOPMENT UNIT**  
Office 919-707-6950    FAX 919-250-4119

**WILDLIFE FENCE**

ORIGINAL BY: K A KEMPF    DATE: 10/30/12  
MODIFIED BY:    DATE:     
CHECKED BY:    DATE:     
FILE SPEC.: k Kempf\english\wildlifefence.dgn

\$\$\$\$\$SYTIME\$\$\$\$\$  
\$\$\$\$\$CONJUSERNAME\$\$\$\$\$