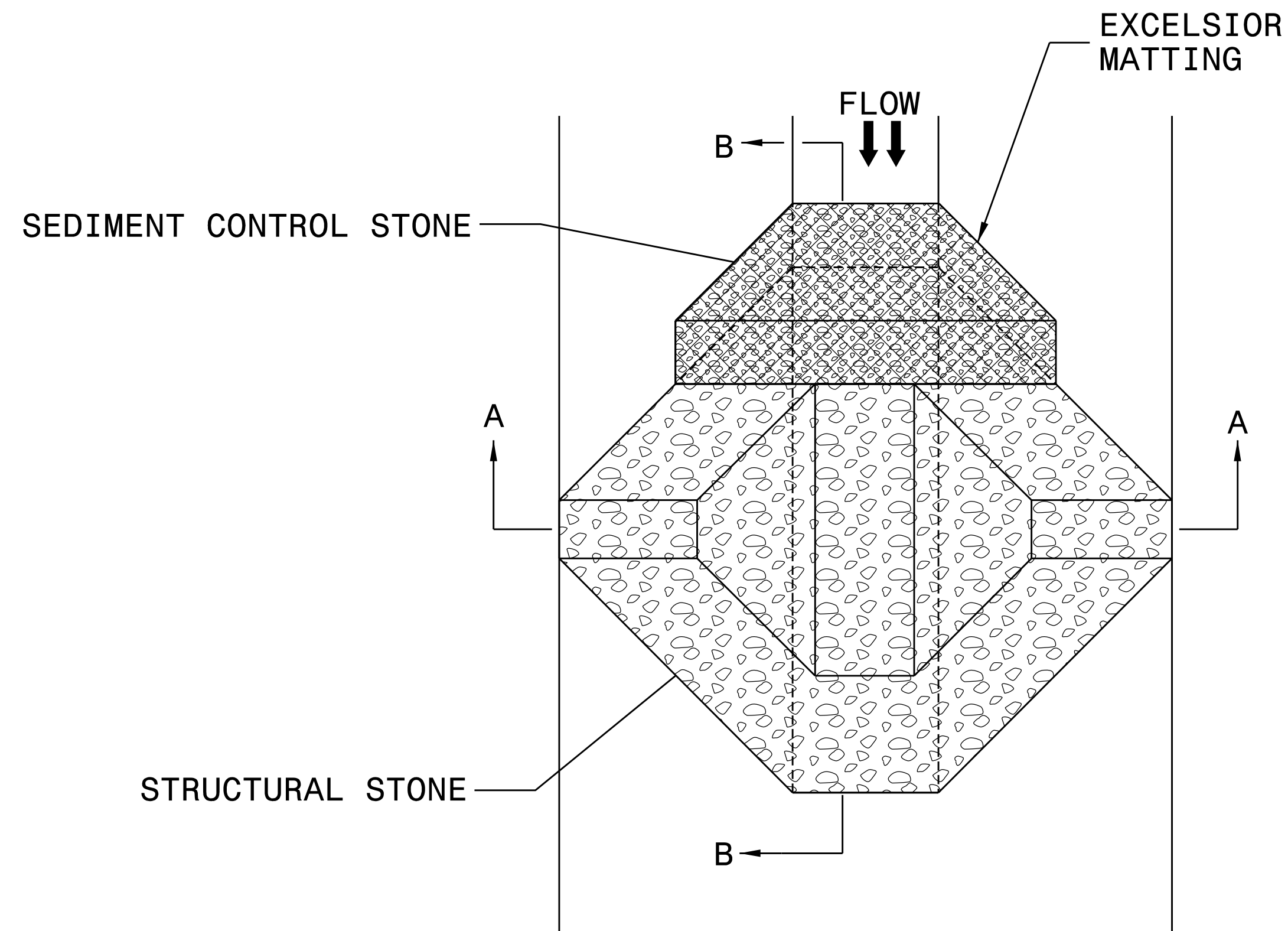
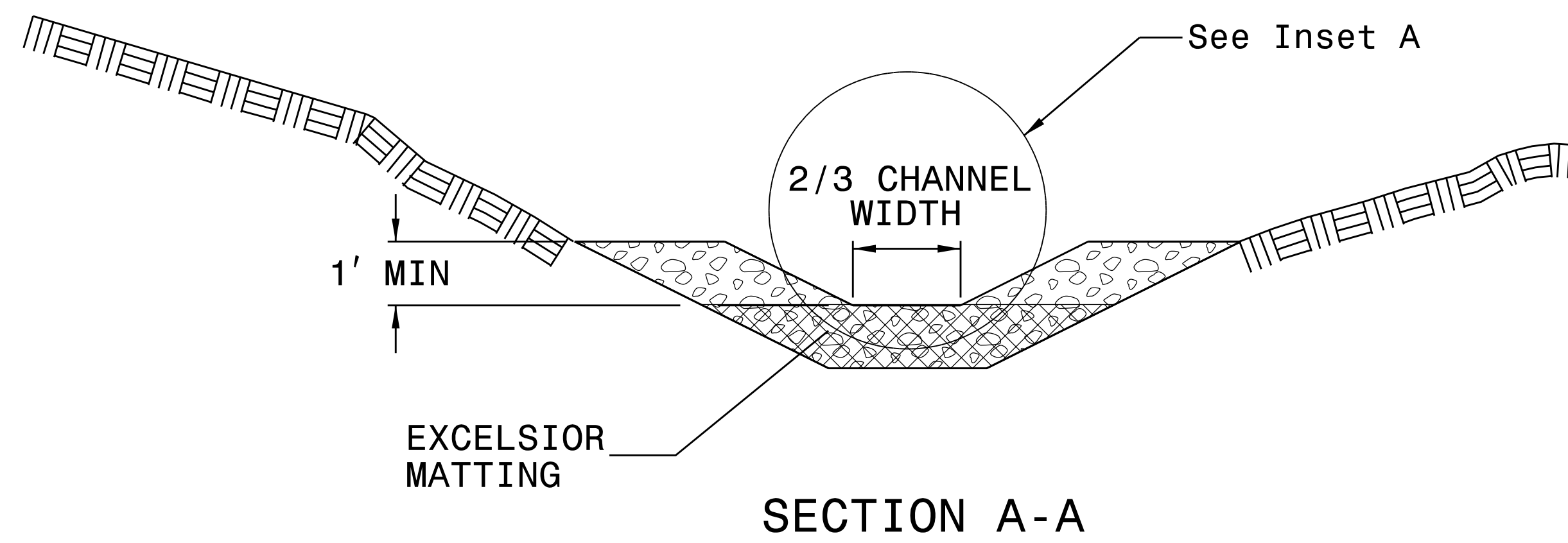


PROJECT REFERENCE NO.	SHEET NO.
R-2514B	EC-2
RW SHEET NO.	
ROADWAY DESIGN ENGINEER	HYDRAULICS ENGINEER

# TEMPORARY ROCK SILT CHECK TYPE 'A' WITH EXCELSIOR MATTING AND POLYACRYLAMIDE (PAM)



PLAN



SECTION A-A

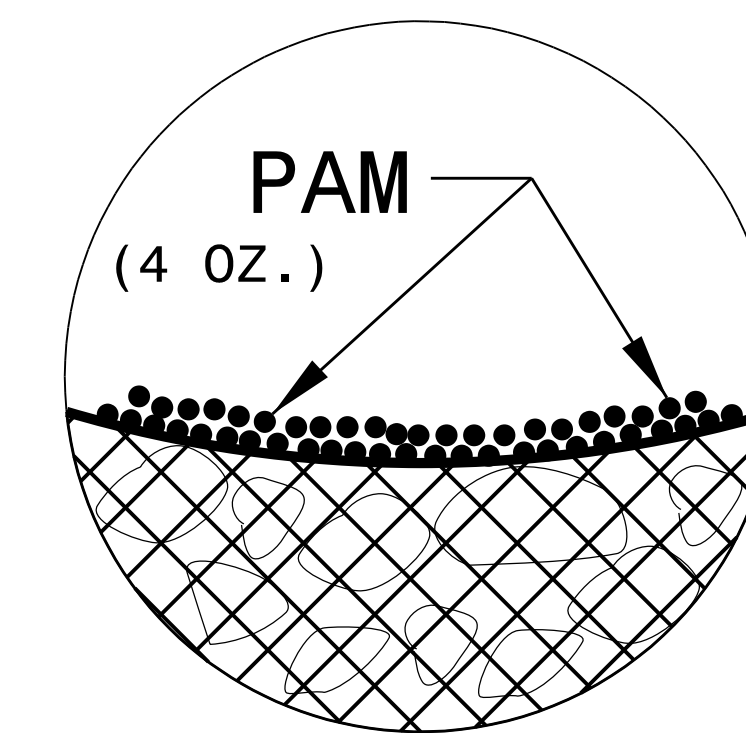
NOTES:

INSTALL TEMPORARY ROCK SILT CHECK TYPE A IN ACCORDANCE WITH ROADWAY STANDARD DRAWING NO. 1633.01.

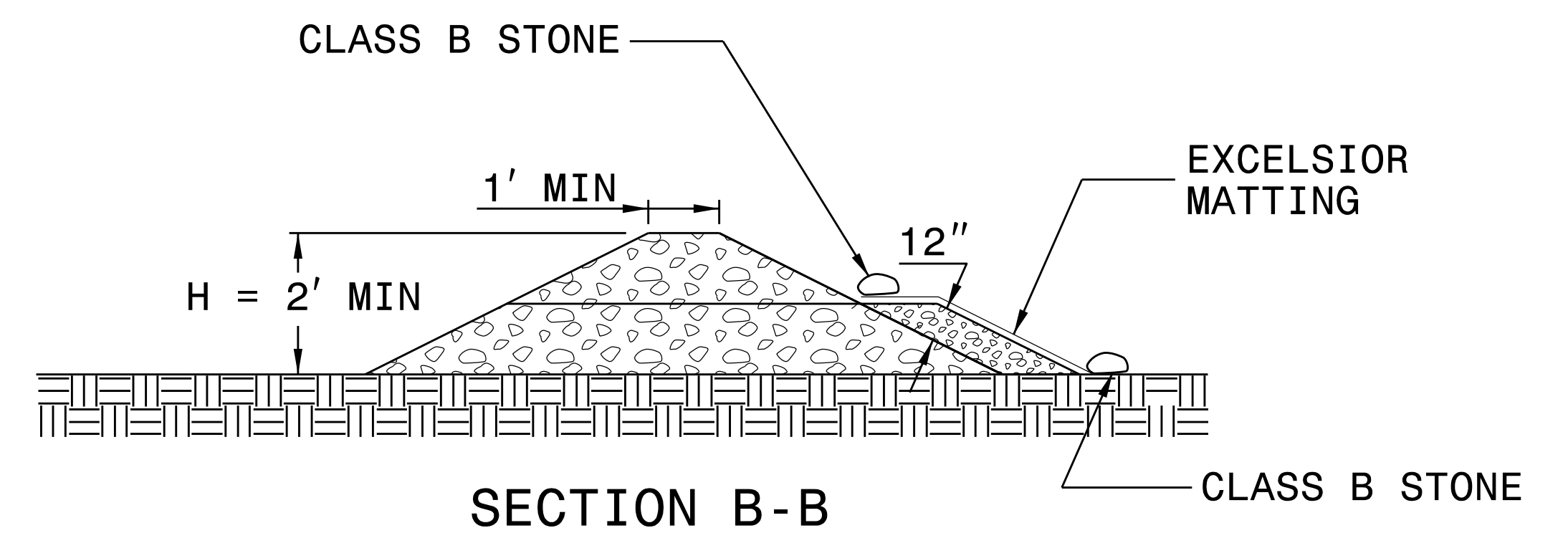
USE EXCELSIOR FOR MATTING MATERIAL AND ANCHOR MATTING SECTION AT TOP AND BOTTOM WITH CLASS B STONE.

PRIOR TO POLYACRYLAMIDE (PAM) APPLICATION, OBTAIN A SOIL SAMPLE FROM PROJECT LOCATION, AND FROM OFFSITE MATERIAL, AND ANALYZE FOR APPROPRIATE PAM FLOCCULANT TO BE APPLIED TO EACH ROCK SILT CHECK.

INITIALLY APPLY 4 OUNCES OF POLYACRYLAMIDE (PAM) TO TOP OF MATTING SECTION AND AFTER EVERY RAINFALL EVENT THAT EQUALS OR EXCEEDS 0.50 INCHES.



INSET A



SECTION B-B

NOT TO SCALE

PLOT DRIVER: NCDOT\_pcf\_color\_eng\_50.plt  
 USER: cmysers  
 FILE: North Carolina Dept. of Transportation\Erosion\_Cr+L\_R\_2514B\_TO\_3.c\13.00.CAD\Erosion\_Control\R2514B\_Hyd\_EC.DETAIL.S.dgn  
 PENTABLE: NCDOT\_EC.BW.tbl  
 TIME: 3:29:57 PM  
 DATE: 1/22/2015