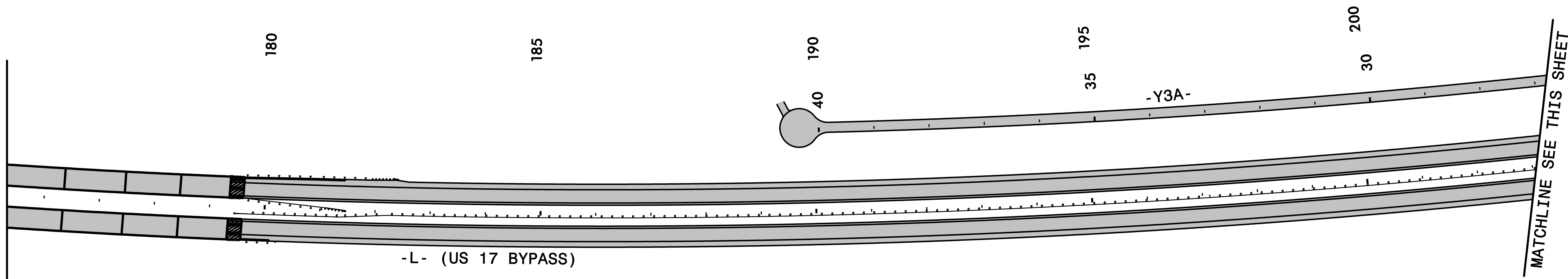
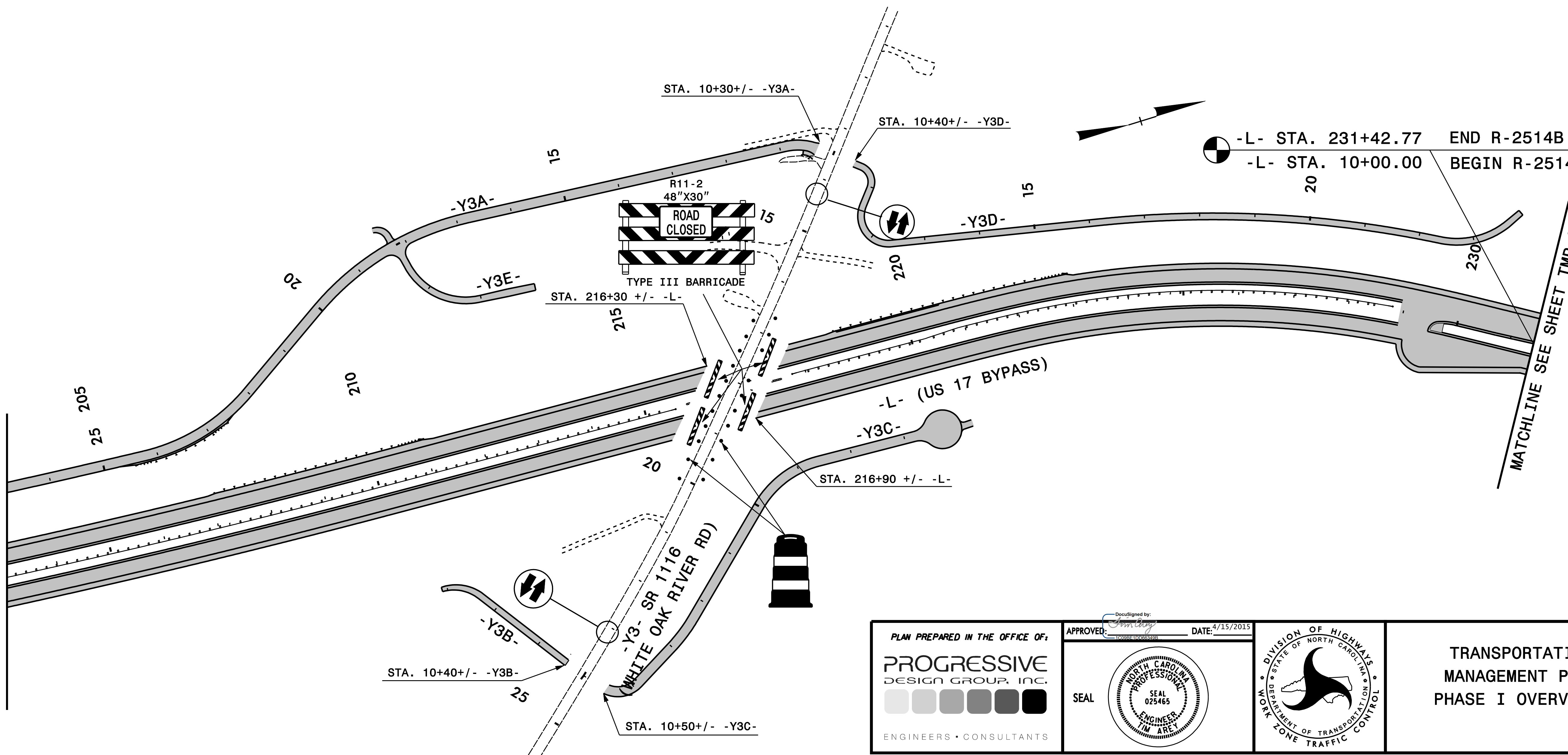


MATCHLINE SEE SHEET TMP-6



MATCHLINE SEE THIS SHEET

MATCHLINE SEE THIS SHEET



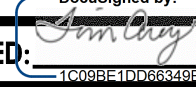
MATCHLINE SEE SHEET TMP-8

-L- STA. 231+42.77 END R-2514B
 -L- STA. 10+00.00 BEGIN R-2514C


PLAN PREPARED IN THE OFFICE OF:

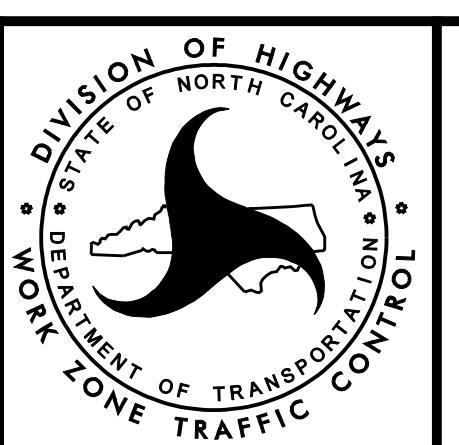
PROGRESSIVE
 DESIGN GROUP, INC.

ENGINEERS • CONSULTANTS

APPROVED:  DATE: 4/15/2015

SEAL





**TRANSPORTATION
 MANAGEMENT PLAN
 PHASE I OVERVIEWS**