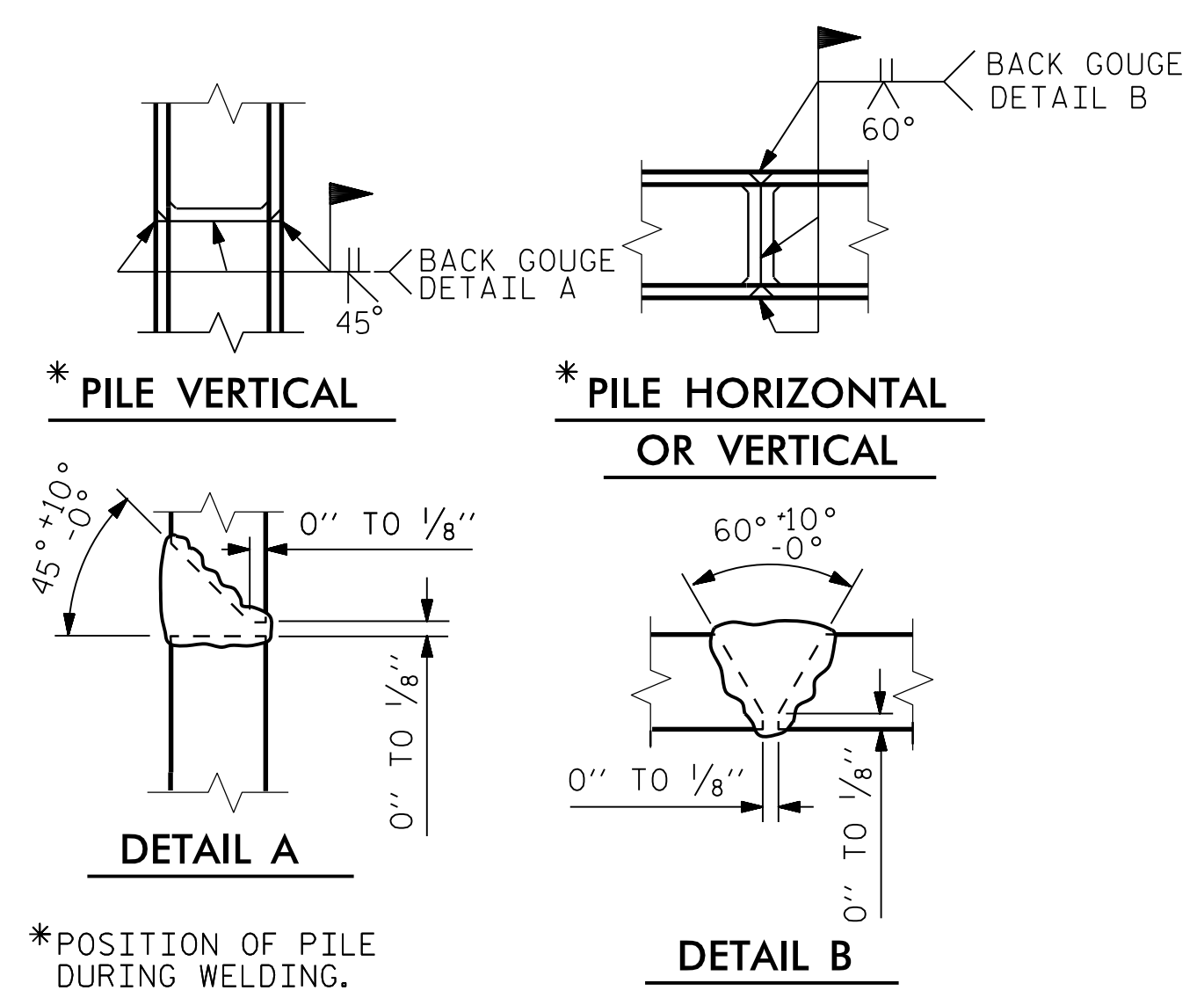


BAGGED STONE AND PIPE SHALL BE PLACED IMMEDIATELY AFTER COMPLETION OF END BENT EXCAVATION. PIPE MAY BE EITHER CONCRETE, CORRUGATED STEEL, CORRUGATED ALUMINUM ALLOY, OR CORRUGATED PLASTIC. PERFORATED PIPE WILL NOT BE ALLOWED.

BAGGED STONE SHALL REMAIN IN PLACE UNTIL THE ENGINEER DIRECTS THAT IT BE REMOVED. THE CONTRACTOR SHALL REMOVE AND DISPOSE OF SILT ACCUMULATIONS AT BAGGED STONE WHEN SO DIRECTED BY THE ENGINEER. BAGS SHALL BE REMOVED AND REPLACED WHENEVER THE ENGINEER DETERMINES THAT THEY HAVE DETERIORATED AND LOST THEIR EFFECTIVENESS.

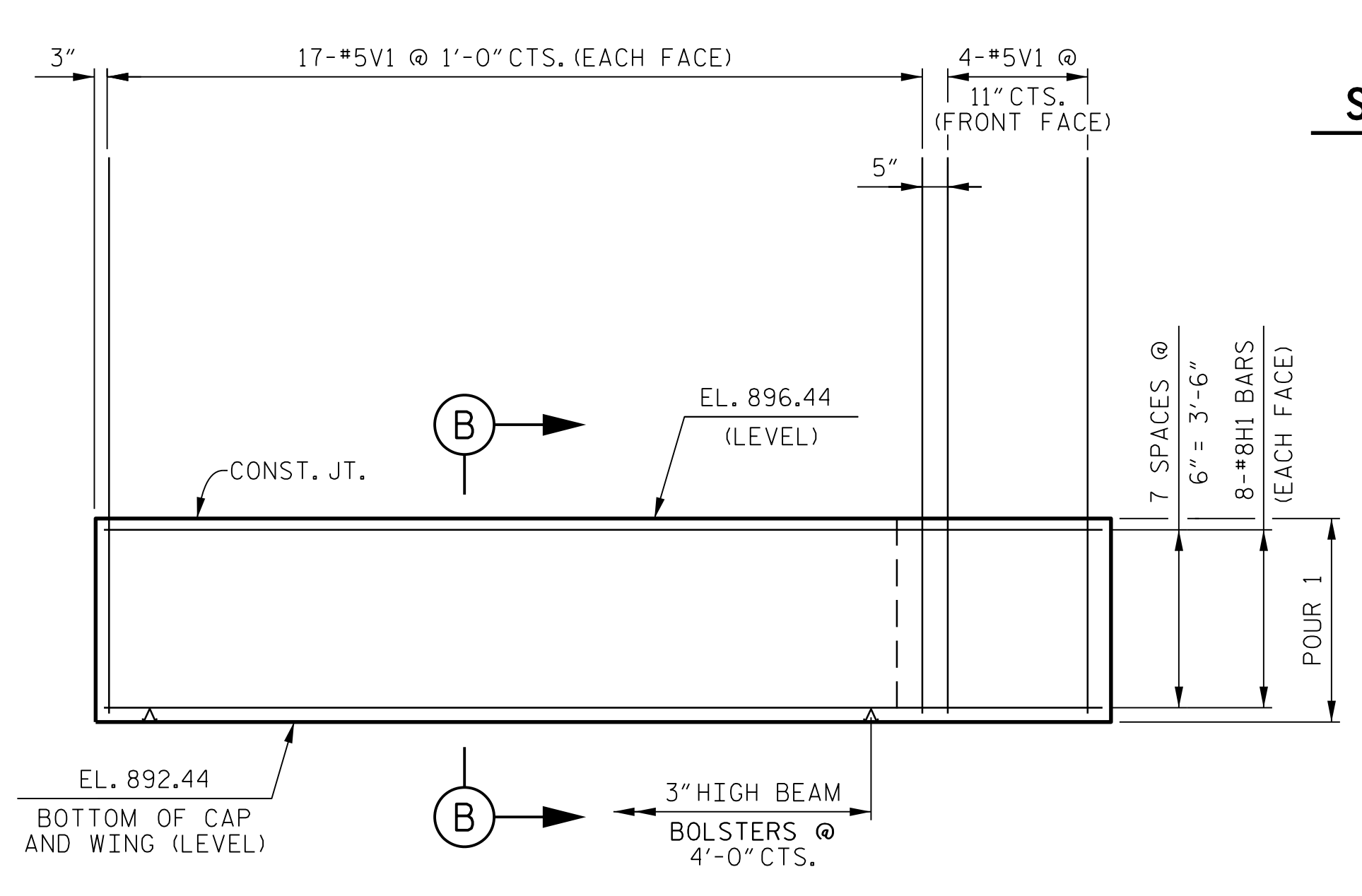
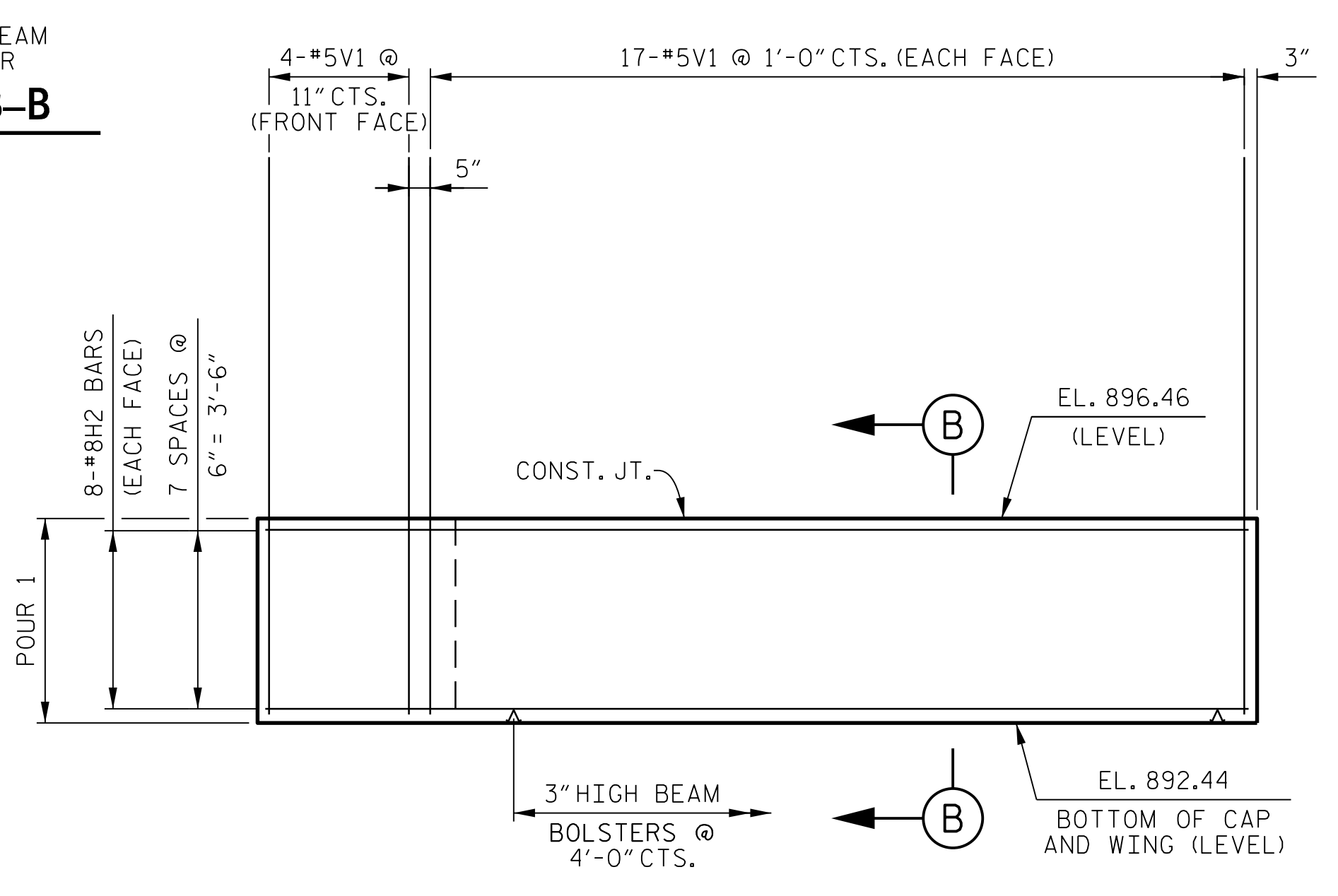
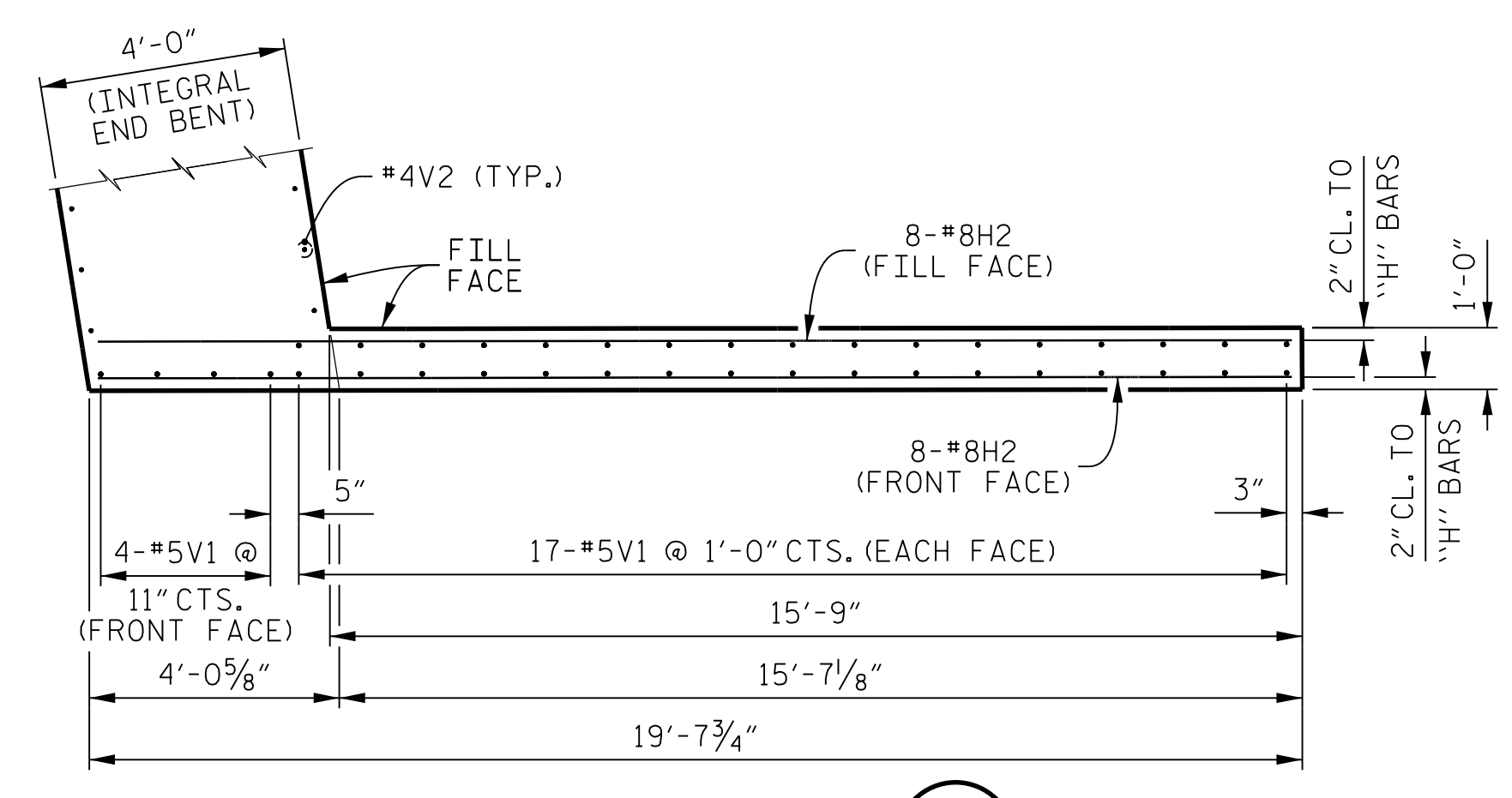
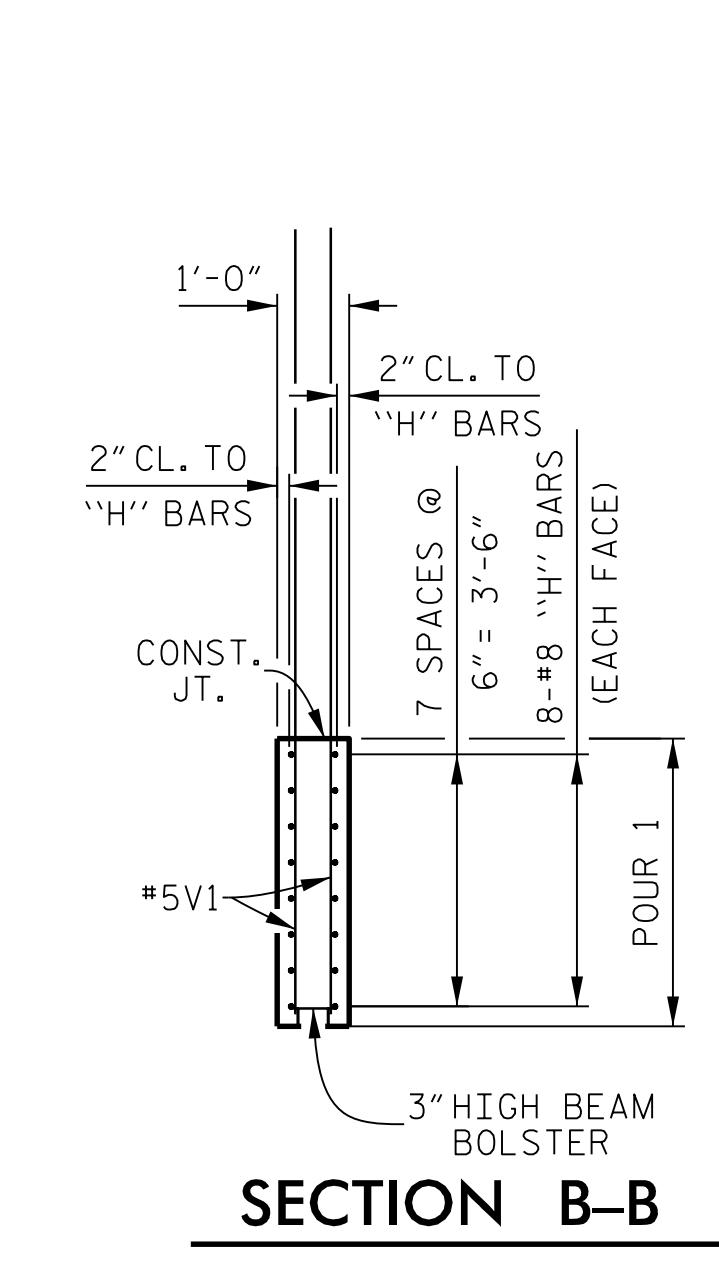
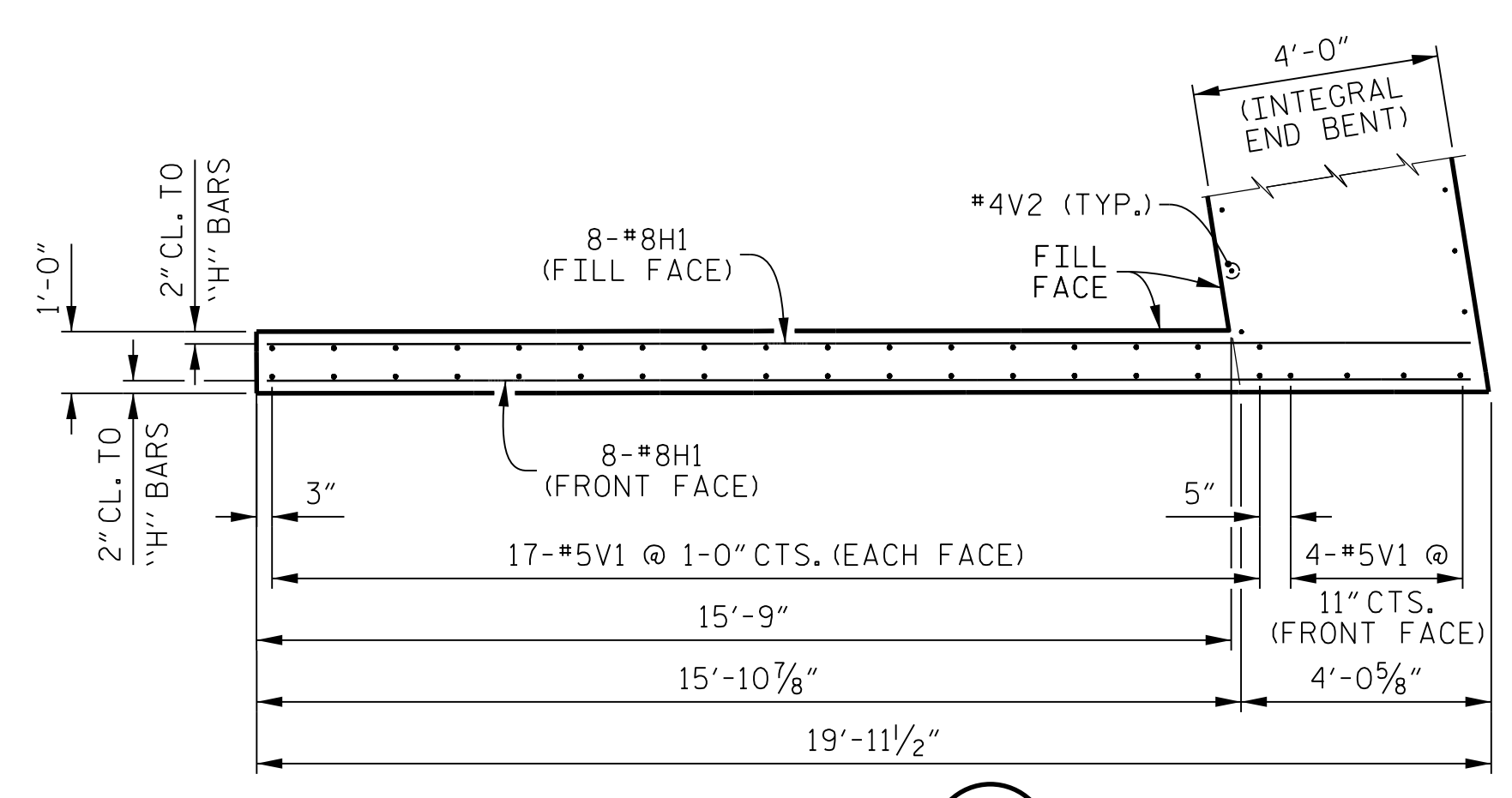
NO SEPARATE PAYMENT SHALL BE MADE FOR THIS WORK AND THE ENTIRE COST OF THIS WORK SHALL BE INCLUDED IN THE UNIT CONTRACT PRICE FOR THE SEVERAL PAY ITEMS.

TEMPORARY DRAINAGE AT END BENT



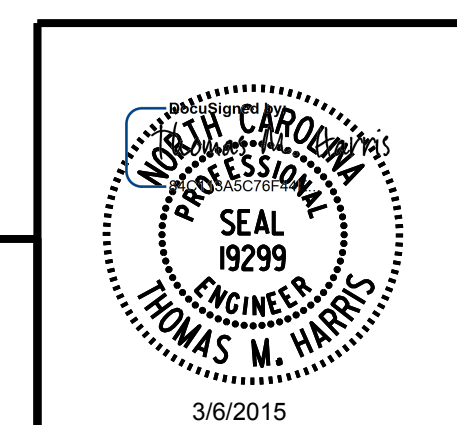
PILE SPLICE DETAILS

BAR TYPES		BILL OF MATERIAL	
END BENT 2			
BAR No.	SIZE	TYPE	LENGTH WEIGHT
B1	#9	1	47'-11" 1,955
B2	#5	STR	45'-5" 379
B3	#4	STR	3'-8" 27
B4	#4	STR	23'-11" 128
B5	#4	STR	13'-9" 55
H1	#8	STR	19'-6" 833
H2	#8	STR	19'-4" 826
S1	#5	5	4'-7" 363
S2	#5	2	11'-10" 938
S3	#4	3	6'-6" 156
U1	#4	4	7'-8" 51
V1	#5	STR	10'-11" 865
V2	#4	STR	4'-6" 186
REINFORCING STEEL			6,762 LBS.
CLASS "A" CONCRETE POUR 1 COLLARS, CAP AND LOWER WINGS			33.8 CU. YDS.
HP 12 x 53 STEEL PILES 9 REQUIRED			480.0 LIN. FT.



PROJECT NO. U-2524BC
 GUILFORD COUNTY
 STATION: 27 + 40.75 -L-
 SHEET 2 OF 2

STATE OF NORTH CAROLINA DEPARTMENT OF TRANSPORTATION RALEIGH					
SUBSTRUCTURE END BENT 2					
REVISIONS					
No.	BY:	DATE:	No.	BY:	DATE:
1			3		
2			4		



PLANS PREPARED BY:
PARSONS
 5540 CenterView Drive, Suite 217
 Raleigh, NC 27606-3386
 NC LICENSE No. F-0246
 FOR NORTH CAROLINA DEPARTMENT OF TRANSPORTATION

DRAWN BY: K. E. LOFTON DATE: 1-15
 CHECKED BY: T. M. HARRIS DATE: 1-15
 DESIGN ENGINEER: T. M. HARRIS DATE: 2-15