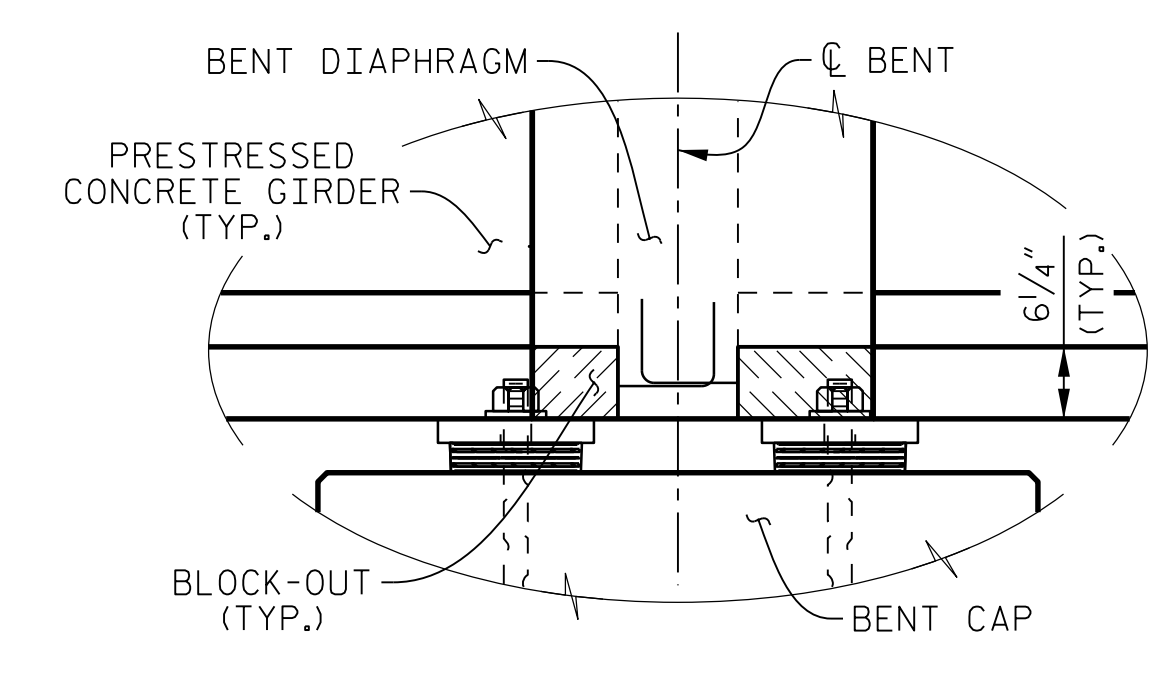
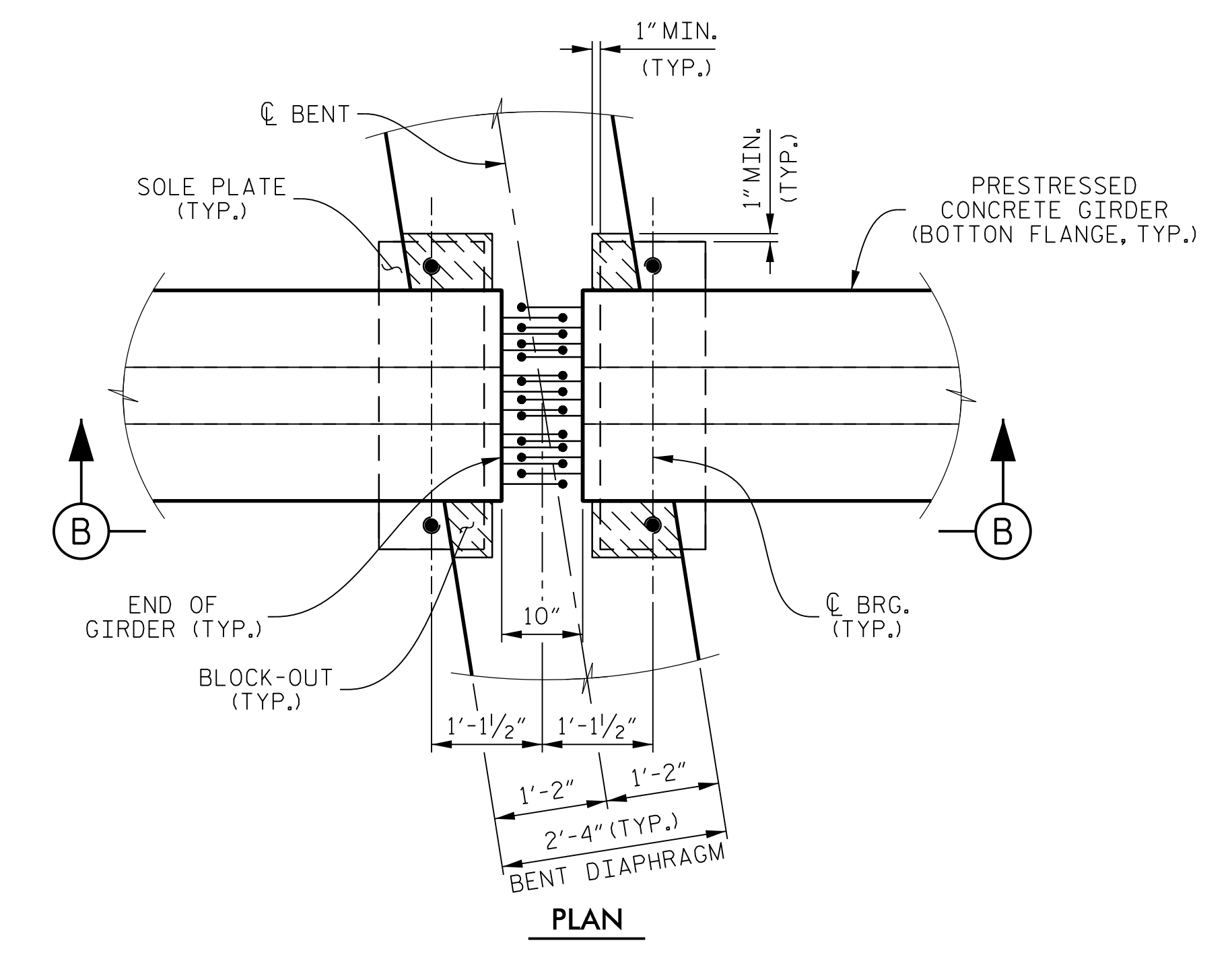


PLAN OF GIRDER - INTEGRAL END BENT



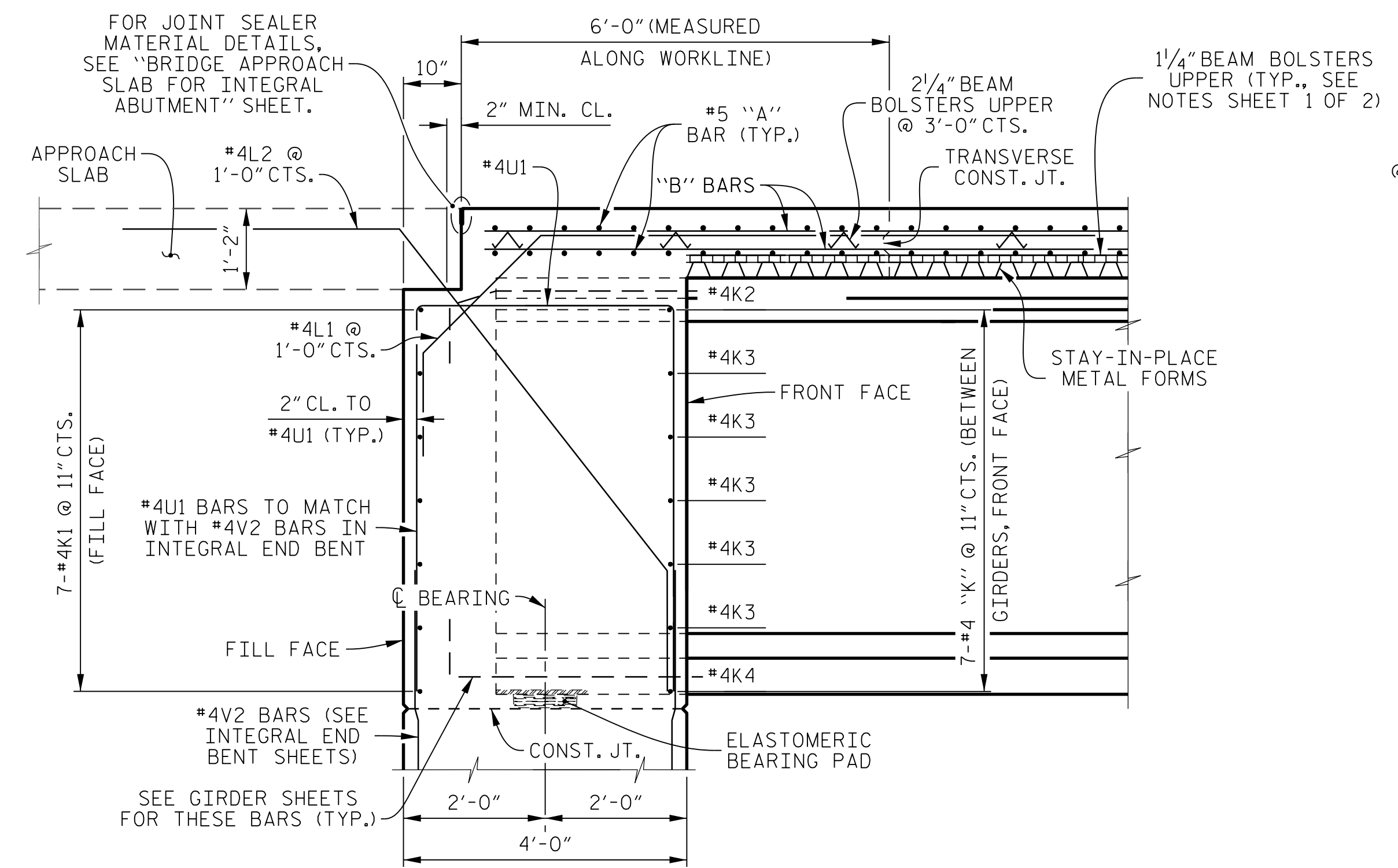
SECTION B-B



PLAN

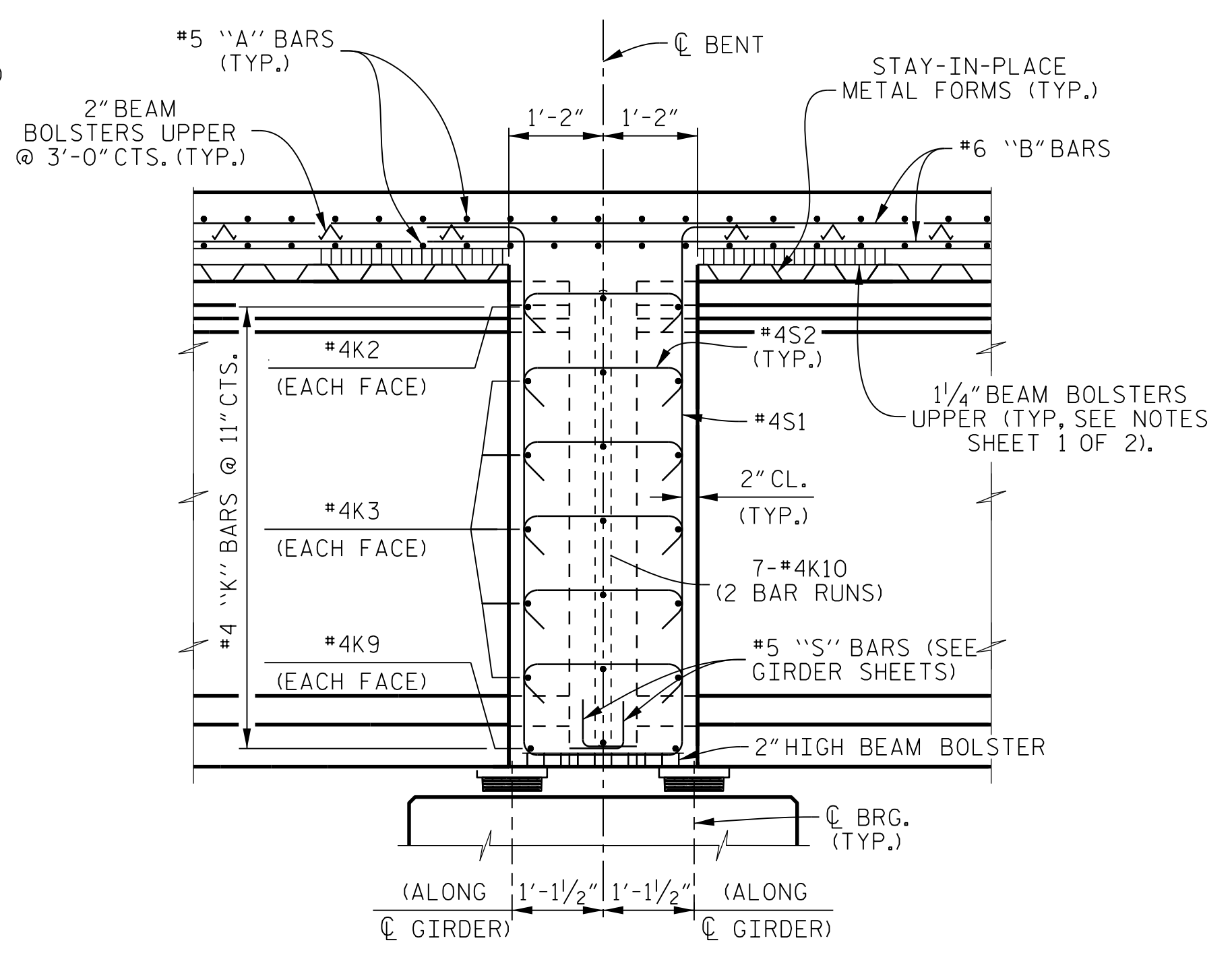
BENT DIAPHRAGM BLOCK-OUT DETAIL

(TYPICAL BENT 1)

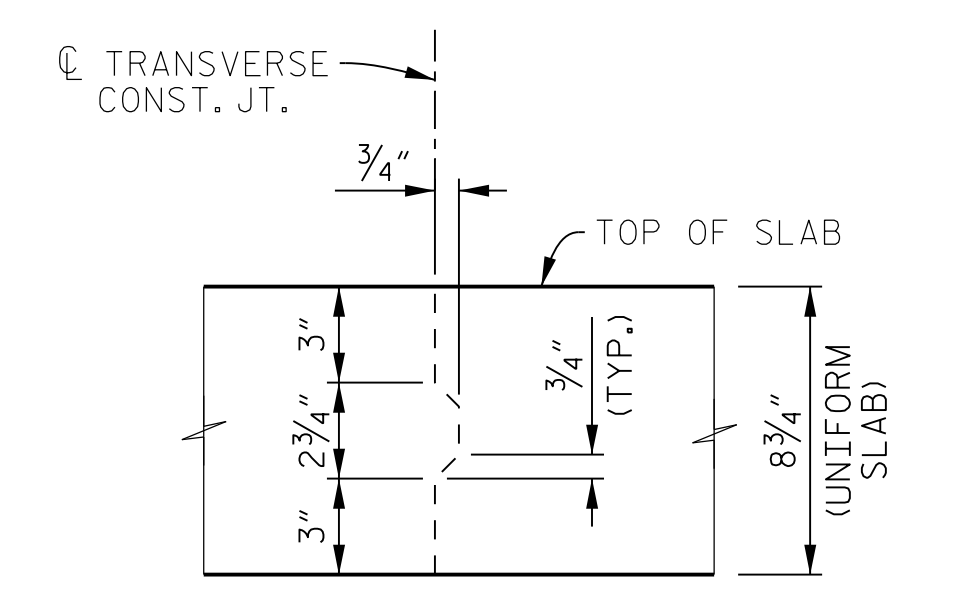


SECTION THRU INTEGRAL END BENT

(END BENT 1 SHOWN, END BENT 2 SIMILAR)



SECTION THRU BENT DIAPHRAGM



TRANSVERSE CONSTRUCTION JOINT DETAIL

REINFORCING STEEL IN SLAB NOT SHOWN. LONGITUDINAL REINFORCING STEEL SHALL BE CONTINUOUS THRU JOINT.

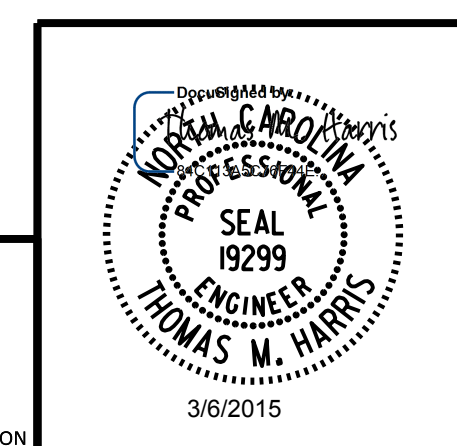
PROJECT NO. **U-2524BC**
GUILFORD COUNTY
 STATION: **27 + 40.75 -L-**

SHEET 2 OF 2

STATE OF NORTH CAROLINA
 DEPARTMENT OF TRANSPORTATION
 RALEIGH

SUPERSTRUCTURE

TYPICAL SECTION DETAILS



PLANS PREPARED BY:
PARSONS
 5540 CenterView Drive, Suite 217
 Raleigh, NC 27606-3386
 NC LICENSE No. F-0246
 FOR NORTH CAROLINA DEPARTMENT OF TRANSPORTATION

DRAWN BY :	K. E. LOFTON	DATE :	12-14
CHECKED BY :	T. M. HARRIS	DATE :	1-15
DESIGN ENGINEER :	T. M. HARRIS	DATE :	2-15

REVISIONS				SHEET No.	
No.	BY:	DATE:	No.	BY:	DATE:
1			3		
2			4		

TOTAL SHEETS: 27