

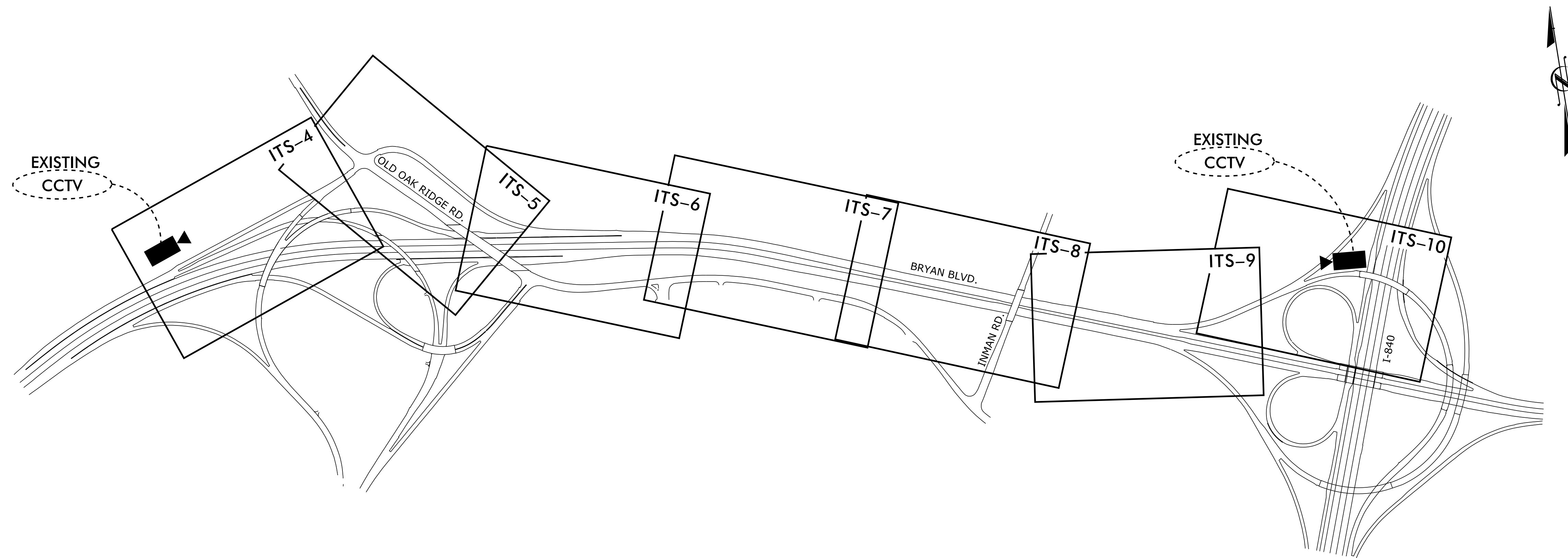
STATE	STATE PROJECT REFERENCE NO.	SHEET NO.	TOTAL SHEETS
N.C.	U-2524BC	ITS-1	14
STATE PROJ. NO.	F.A. PROJ. NO.	DESCRIPTION	
34820.3.F529	STP-NHF-124-1(1)	PE	
34820.1.13	NHF-0708(62)	CONST	

STATE OF NORTH CAROLINA
DIVISION OF HIGHWAYS

GUILFORD COUNTY

**LOCATION: GREENSBORO WESTERN LOOP (I-73 CONNECTOR)
FROM I-73/I-840 TO SR 2085 (JOSEPH BRYAN
BOULEVARD) INTERCHANGE**

**TYPE OF WORK: COMMUNICATIONS CABLE CONDUIT ROUTING, AND
EXISTING ITS DEVICE INTEGRATION**



3/4/2015 \$TIME\$ \$USER\$ K:\RAL\TPTD\ITS\011036279 - U-2524BC\PI\ons\U-2524BC_ITS_psh_1.dgn

CONTRACT: C203290 TIP PROJECT: U-2524BC

2012 STANDARD SPECIFICATIONS	
PROJECT LENGTH PROJECT LENGTH = 1.8 MILES	
LETTING DATE: JUNE 16, 2015	
INDEX OF SHEETS	
ITS-1	TITLE SHEET
ITS-2	CONSTRUCTION NOTES AND LEGEND
ITS-3	TYPICAL DETAILS
ITS-4 THRU ITS-10	COMMUNICATIONS CABLE AND CONDUIT ROUTING PLANS
ITS-11 THRU ITS-14	SPLICE DETAILS

ROADWAY STANDARD DRAWINGS	
THE FOLLOWING ROADWAY STANDARDS AS APPEAR IN "ROADWAY STANDARD DRAWINGS" ROADWAY DESIGN UNIT - N.C. DEPARTMENT OF TRANSPORTATION - RALEIGH, N.C., DATED JANUARY 2012 ARE APPLICABLE TO THIS PROJECT AND BY REFERENCE HEREBY ARE CONSIDERED A PART OF THESE PLANS:	
STD. NO.	TITLE
1715.01	UNDERGROUND CONDUIT-TRENCHING
1716.01	JUNCTION BOXES
1730.01	FIBER OPTIC CABLE

NC DOT CONTACTS:
TRANSPORTATION SAFETY AND MOBILITY
INTELLIGENT TRANSPORTATION SYSTEMS SECTION
THOMAS G. PARKER - ITS PROJECT ENGINEER
SHERRY YOW - ITS PROJECT DESIGN ENGINEER

PLANS PREPARED BY: **Kimley»Horn**

NC License #F-0102
P.O. Box 33068
Raleigh, NC 27636
TEL: (919) 677-2000
FAX: (919) 677-2050

KIMLEY-HORN CONTACTS: T.F. BURCHETT, P.E. - PROJECT MANAGER
KEVIN W. SMITH, P.E. - PROJECT ENGINEER

750 Greenfield Pkwy., Garner, NC 27529

SEAL	SEAL
DocuSigned by: Kevin W. Smith, P.E.	3/5/2015
SIGNATURE	DATE