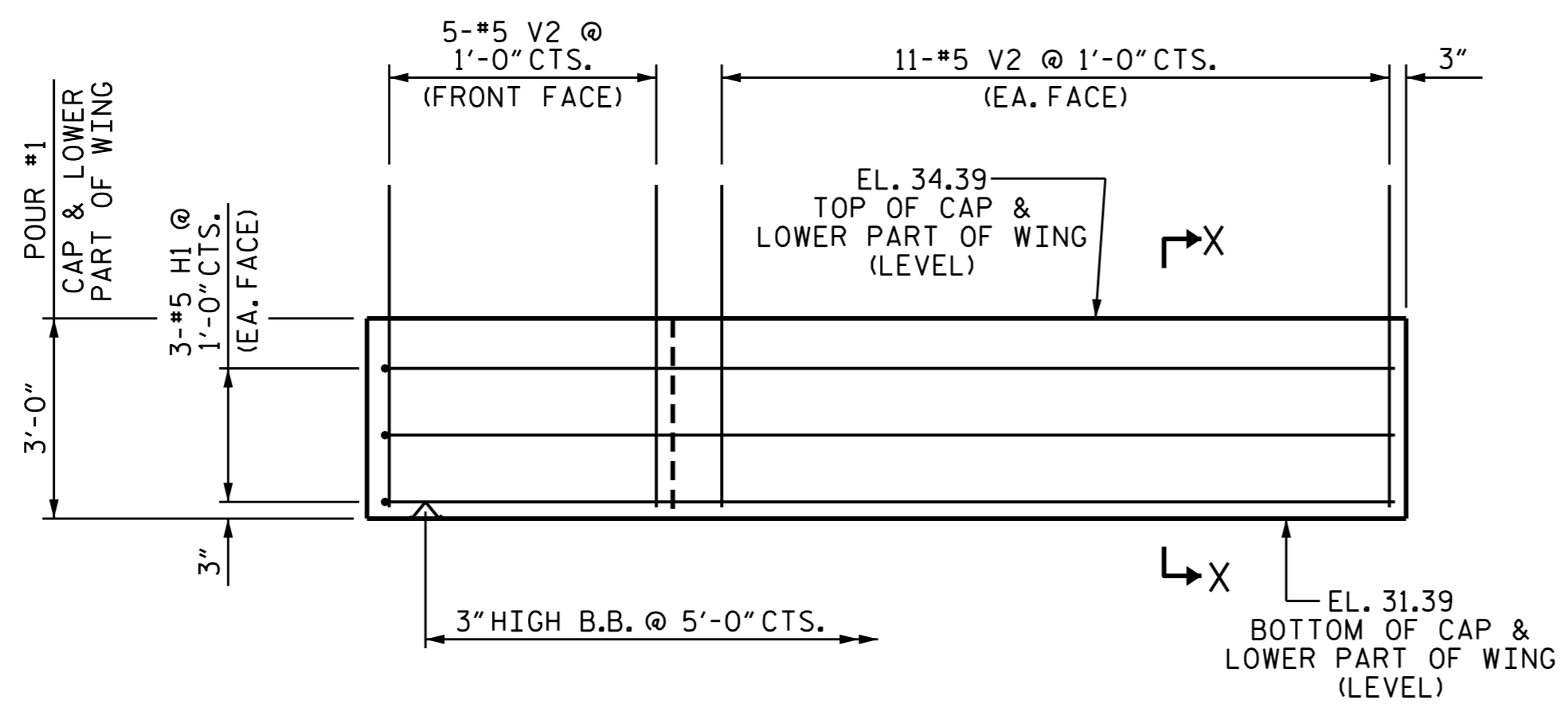
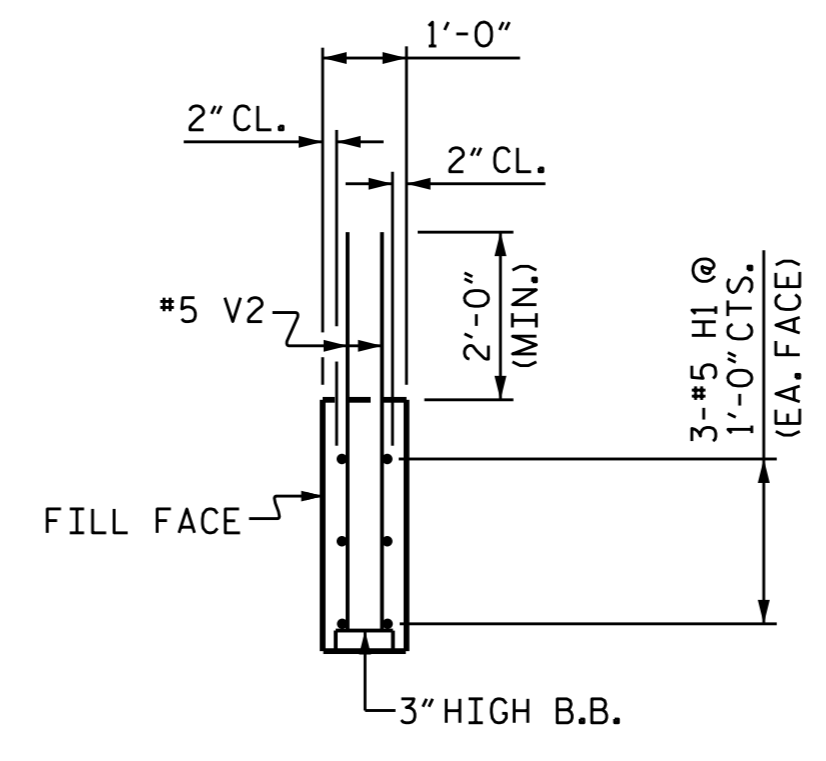


PLAN OF RIGHT WING (W2)



ELEVATION OF RIGHT WING (W2)



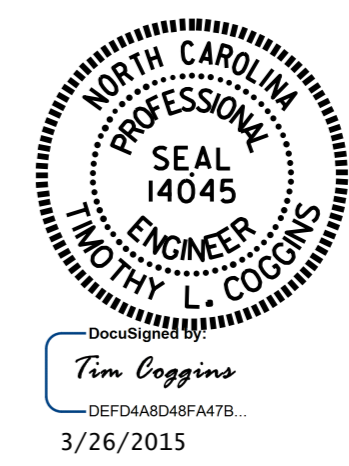
SECTION X-X

PROJECT NO. R-2514D
 JONES & CRAVEN COUNTY
 STATION: 625+23.28 -L-

SHEET 3 OF 4

STATE OF NORTH CAROLINA
 DEPARTMENT OF TRANSPORTATION
 RALEIGH

SUBSTRUCTURE
 INTEGRAL END BENT 2



REVISIONS						SHEET NO. S18-033
NO.	BY:	DATE:	NO.	BY:	DATE:	
1			3			TOTAL SHEETS 39
2			4			

DRAWN BY : K. P. SEDAI DATE : 9/23/14
 CHECKED BY : B. N. BARODAWALA DATE : 12/19/14
 DESIGN ENGINEER OF RECORD: K. P. SEDAI DATE : _____