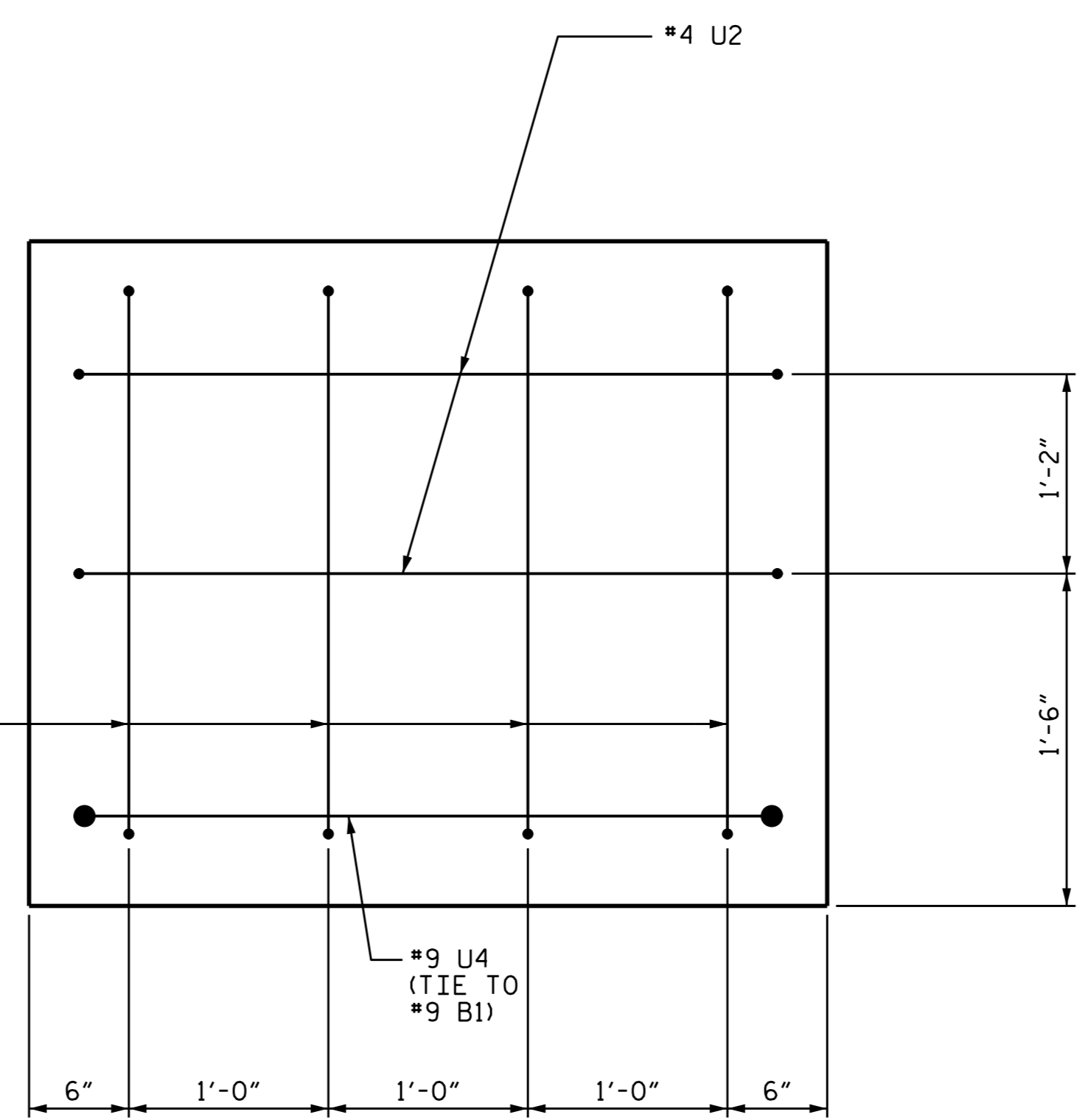


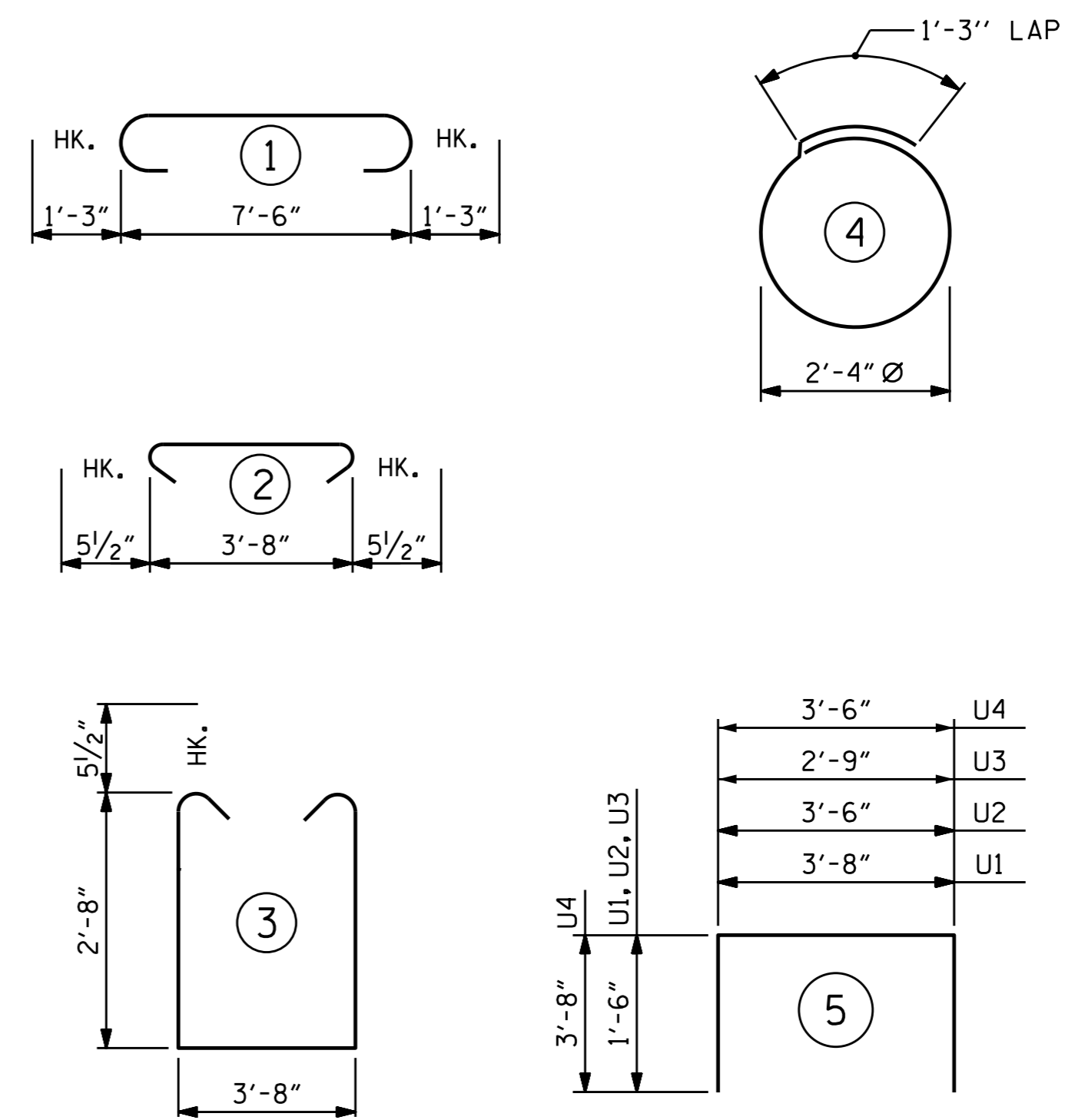
PP 18 x 0.50 GALVANIZED STEEL PILE

SECTION A-A



END OF CAP VIEW (RIGHT END)

BAR TYPES



ALL BAR DIMENSIONS ARE OUT TO OUT.

BILL OF MATERIAL

BENT #1

BAR	NO.	SIZE	TYPE	LENGTH	WEIGHT
B1	12	#9	1	10'-0"	408
B2	4	#5	STR	7'-8"	32
B3	4	#4	STR	7'-8"	20
B4	2	#4	STR	3'-8"	5
D1	12	#6	STR	3'-0"	54
S1	12	#5	2	4'-7"	57
S2	12	#5	3	9'-11"	124
S3	4	#4	4	8'-7"	23
U1	9	#4	5	6'-8"	40
U2	2	#4	5	6'-6"	9
U3	4	#4	5	5'-9"	15
U4	1	#9	5	10'-10"	37

REINFORCING STEEL 824 LBS

CLASS A CONCRETE BREAKDOWN
 POUR #1 (CAP) 3.6 C.Y.
 TOTAL CLASS A CONCRETE 3.6 C.Y.

PP 18 x 0.50 GALVANIZED STEEL PILES
 No. 2 LIN. FT. 120

PIPE PILE PLATES No. = 2

PILE REDRIVES EACH 2

▲ CONCRETE DISPLACED BY THE PP 18 x 0.50 GALVANIZED STEEL PILES HAS BEEN DEDUCTED FROM THE CONCRETE QUANTITY.

PROJECT NO. R-2514D
 JONES & CRAVEN COUNTY
 STATION: 625+23.28 -L-

SHEET 2 OF 2

STATE OF NORTH CAROLINA
 DEPARTMENT OF TRANSPORTATION
 RALEIGH

SUBSTRUCTURE
 BENT #1



REVISIONS						SHEET NO. S18-028
NO.	BY:	DATE:	NO.	BY:	DATE:	
1			3			TOTAL SHEETS 39
2			4			

DRAWN BY: K. P. SEDAI DATE: 10/2/14
 CHECKED BY: B. N. BARODAWALA DATE: 12/18/14
 DESIGN ENGINEER OF RECORD: K. P. SEDAI DATE: