

NOTES

AT ALL FIXED POINTS OF SUPPORT, NUTS FOR ANCHOR BOLTS ARE TO BE TIGHTENED FINGER TIGHT AND THEN BACKED OFF 1/2 TURN. THE THREAD OF THE NUT AND BOLT SHALL THEN BE BURRED WITH A SHARP POINTED TOOL.

STEEL SOLE PLATES, ANCHOR BOLTS, NUTS, AND WASHERS SHALL BE GALVANIZED IN ACCORDANCE WITH THE STANDARD SPECIFICATIONS.

PRIOR TO WELDING, GRIND THE GALVANIZED SURFACE OF THE PORTION OF THE EMBEDDED PLATE AND SOLE PLATE THAT ARE TO BE WELDED. AFTER WELDING, DAMAGED GALVANIZED SURFACES SHALL BE REPAIRED IN ACCORDANCE WITH THE STANDARD SPECIFICATIONS.

WHEN WELDING THE SOLE PLATE TO THE EMBEDDED PLATE IN THE GIRDER, USE TEMPERATURE INDICATING WAX PENS, OR OTHER SUITABLE MEANS, TO ENSURE THAT THE TEMPERATURE OF THE SOLE PLATE DOES NOT EXCEED 300°F. TEMPERATURES ABOVE THIS MAY DAMAGE THE ELASTOMER.

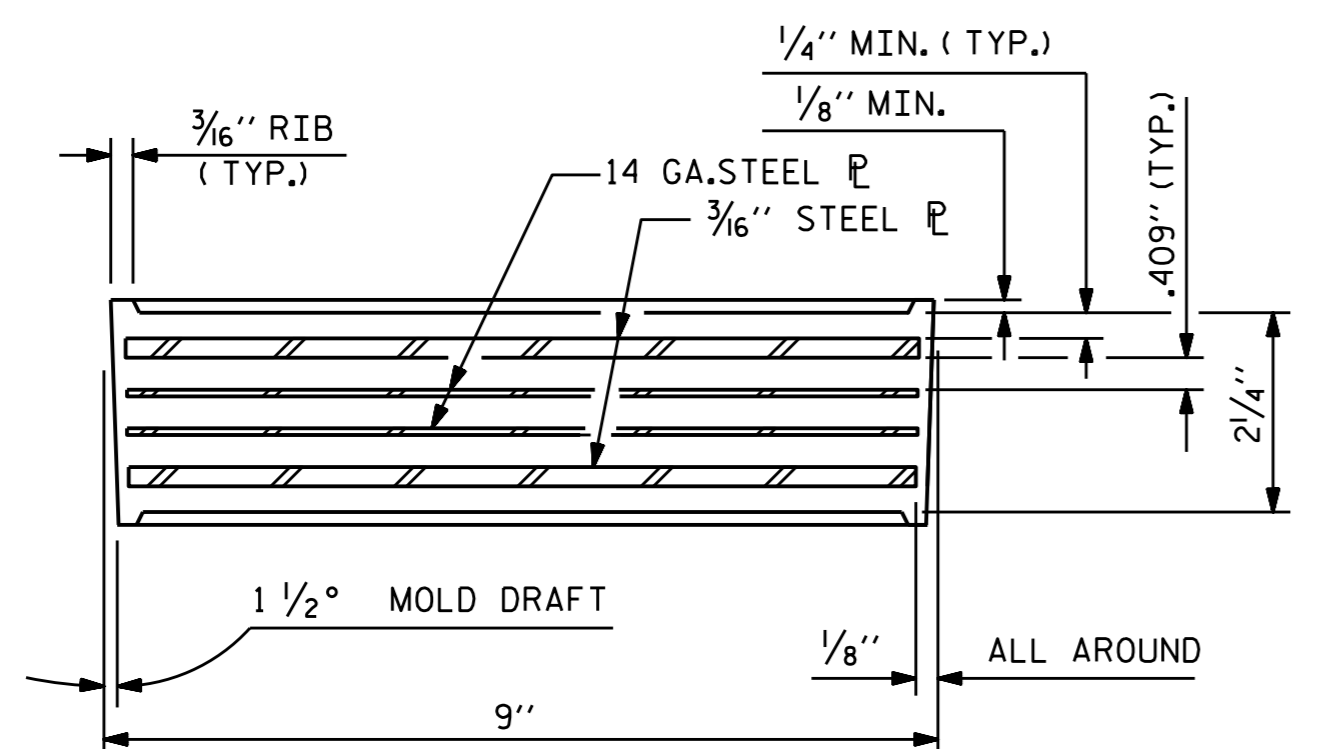
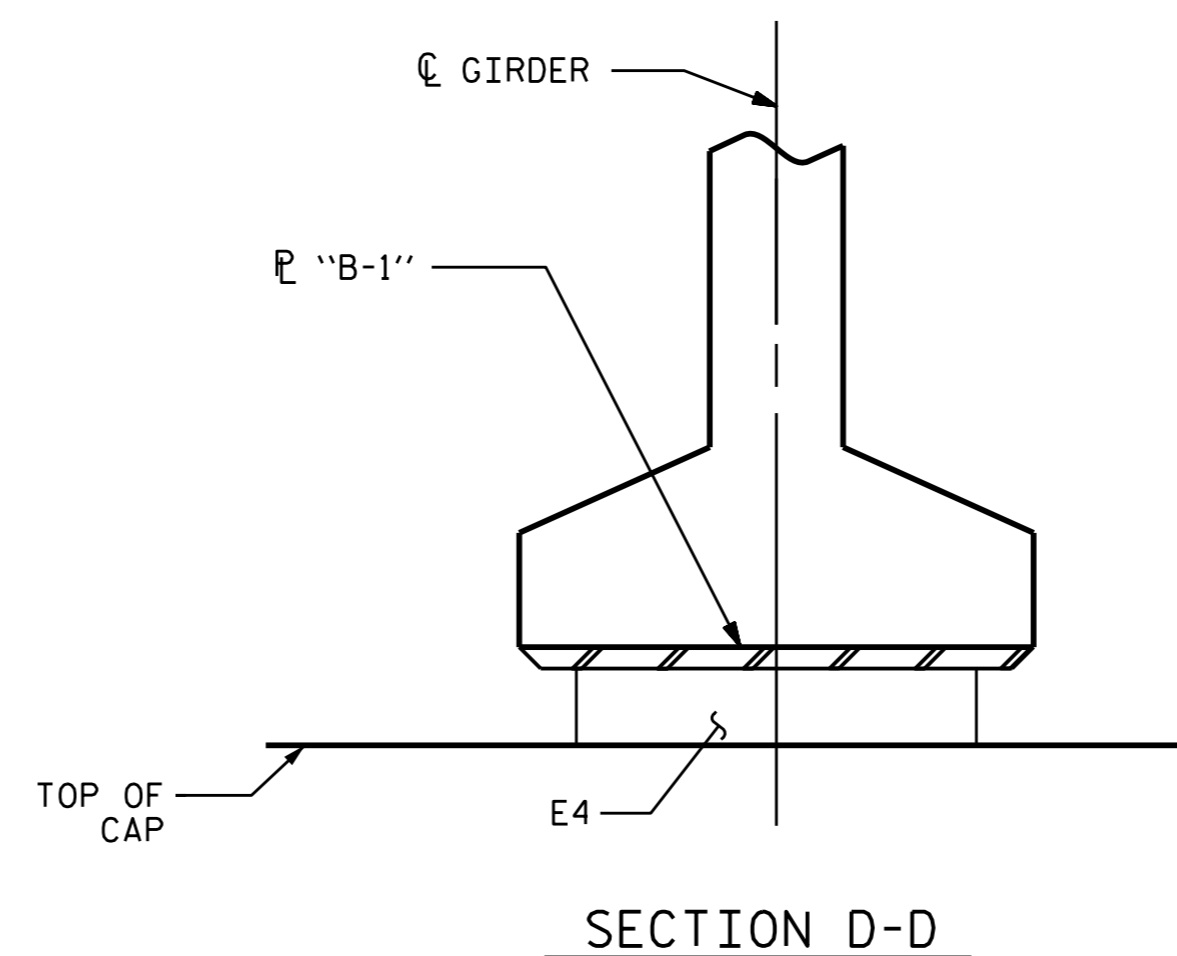
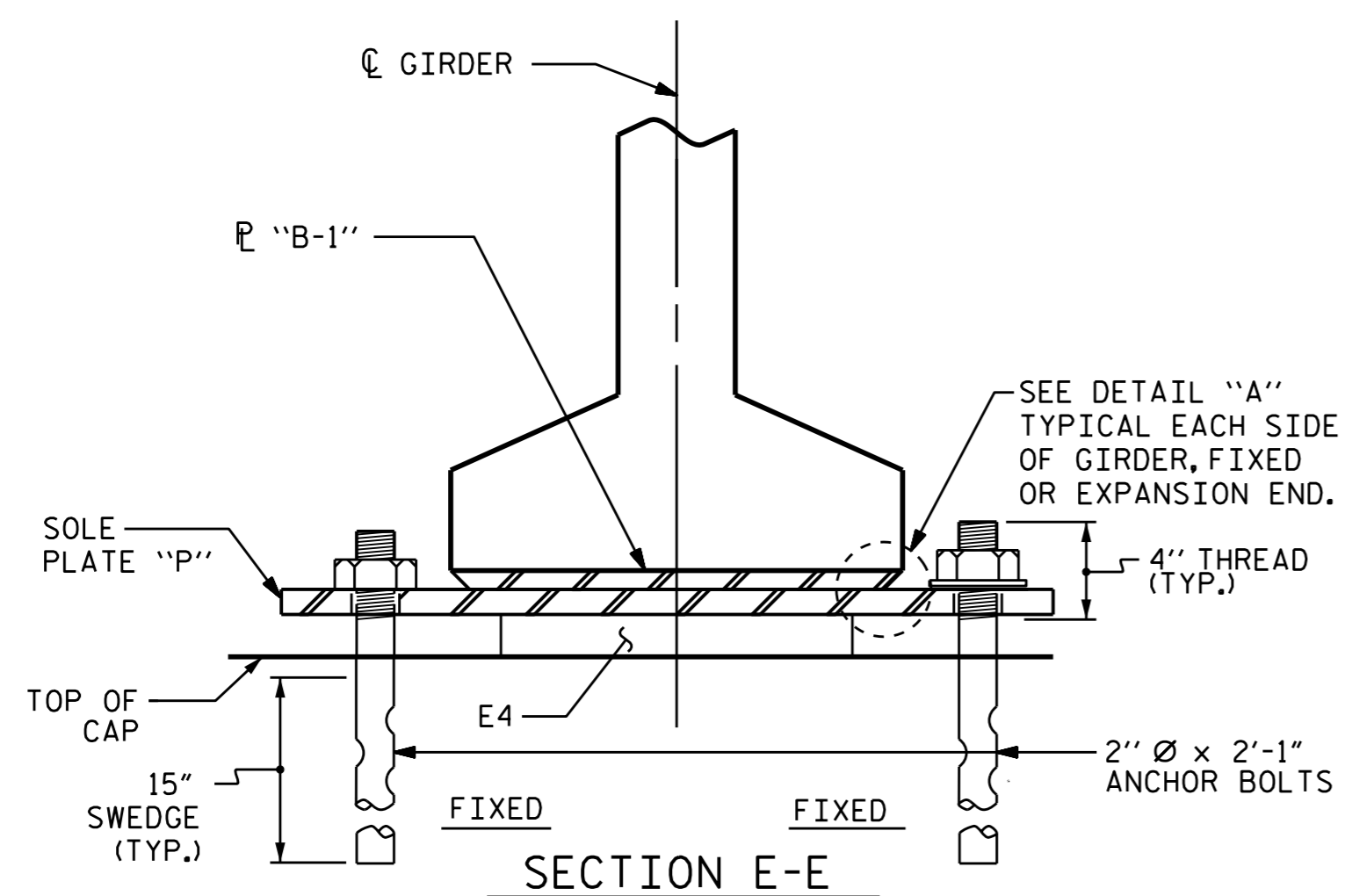
SOLE PLATE "P", BOLTS, NUTS, WASHERS, AND PIPE SLEEVE SHALL BE INCLUDED IN THE PAY ITEM FOR PRESTRESSED CONCRETE GIRDERS.

ANCHOR BOLTS SHALL MEET THE REQUIREMENTS OF ASTM A449. NUTS SHALL MEET THE REQUIREMENTS OF AASHTO M291-DH OR AASHTO M292-2H. WASHERS SHALL MEET THE REQUIREMENTS OF AASHTO M293. NO SHOP DRAWINGS ARE REQUIRED FOR ANCHOR BOLTS, NUTS AND WASHERS. SHOP INSPECTION IS REQUIRED.

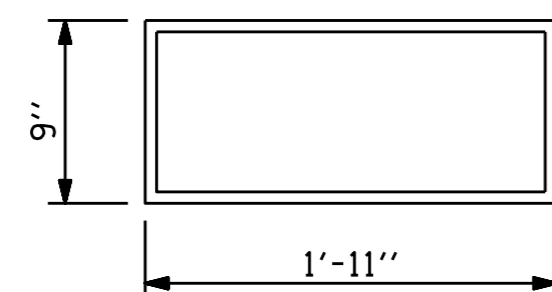
ALL SURFACES OF BEARING PLATES SHALL BE SMOOTH AND STRAIGHT.

THE ELASTOMER IN THE STEEL REINFORCED BEARINGS SHALL HAVE A SHEAR MODULUS OF 0.160 KSI, IN ACCORDANCE WITH AASHTO M251.

FOR STEEL REINFORCED ELASTOMERIC BEARINGS, SEE SPECIAL PROVISIONS.



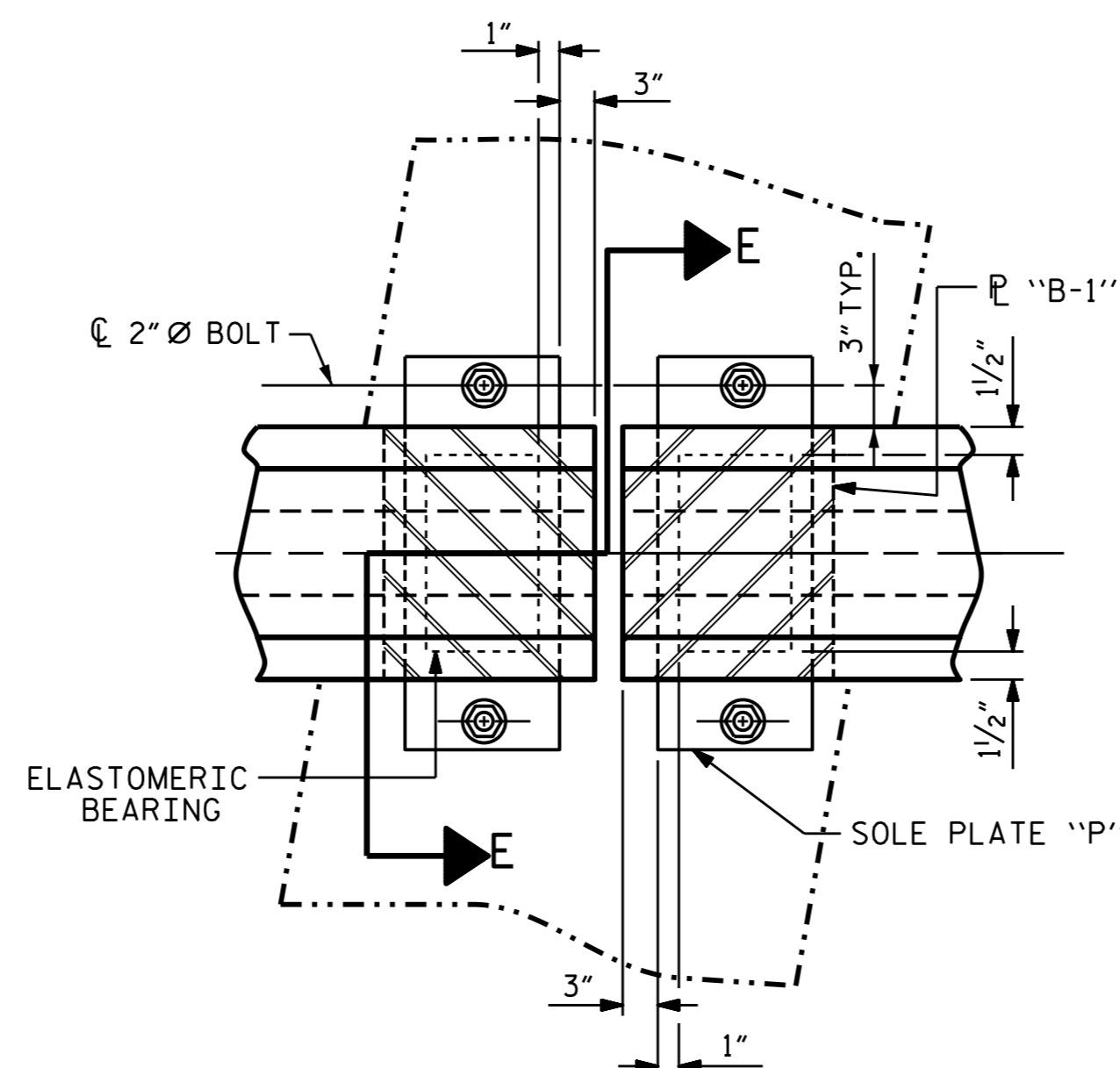
TYPICAL SECTION OF ELASTOMERIC BEARINGS



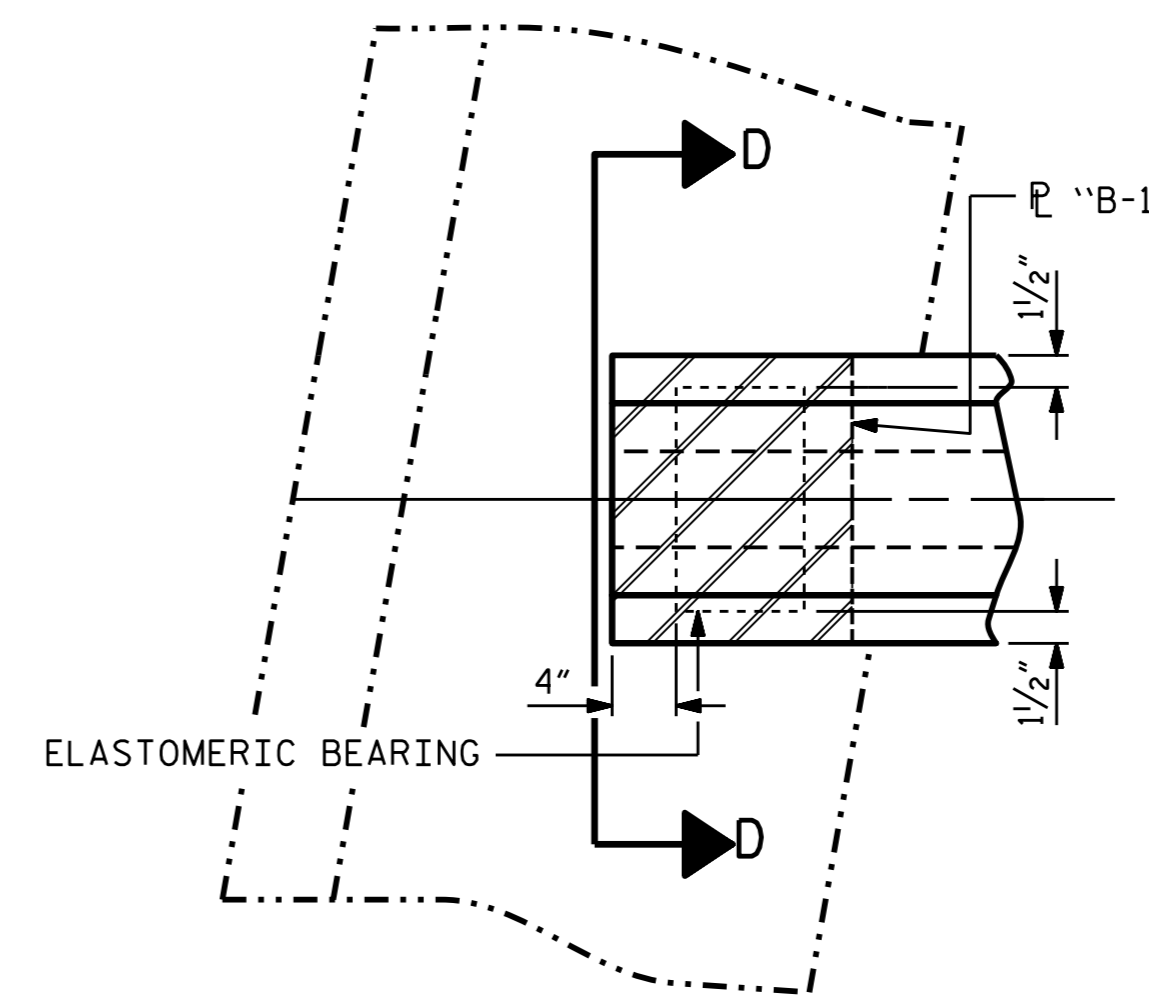
E4 (4 REQ'D.)
PLAN VIEW OF ELASTOMERIC BEARING

TYPE V

SPAN A - NEAR/FAR
SPAN C - NEAR/FAR

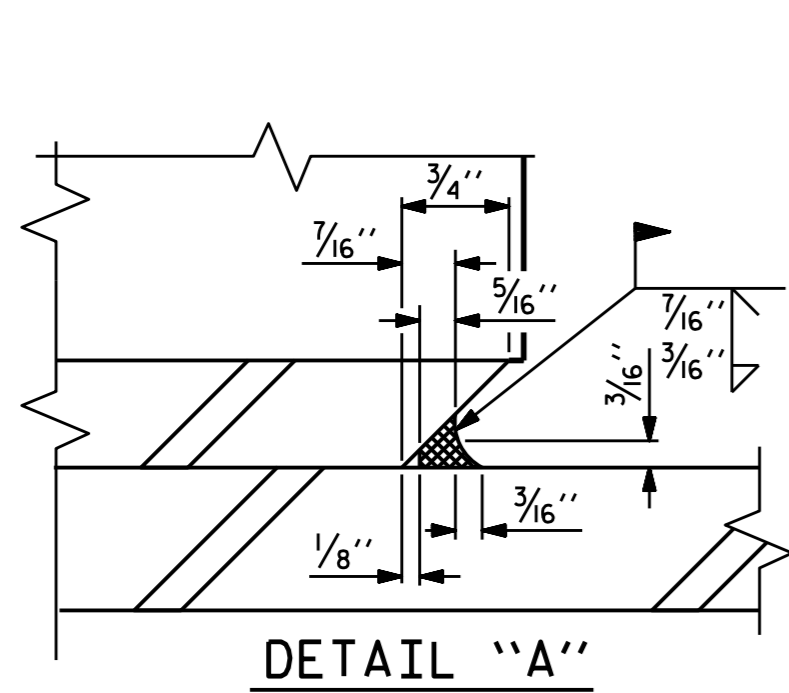


TYPICAL BENT PLAN

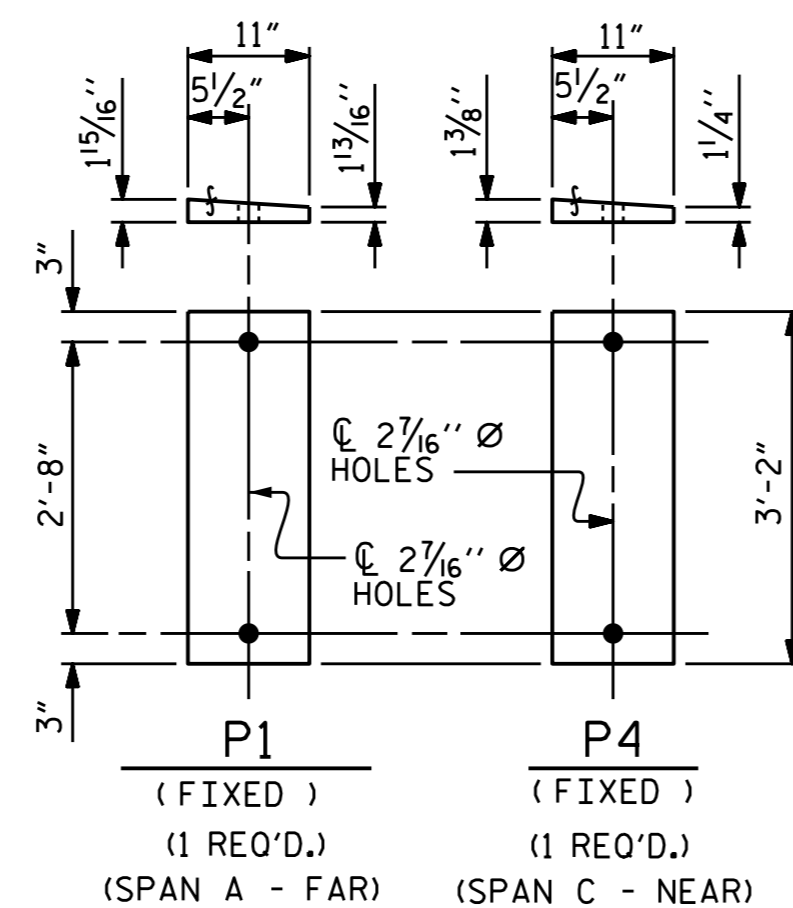


TYPICAL END BENT PLAN

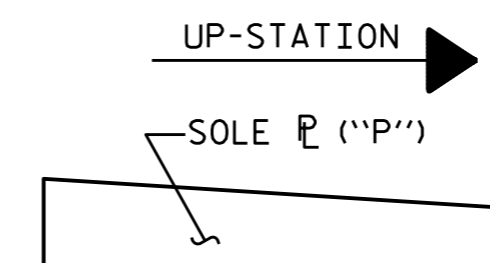
| | |
|----------------|----------|
| -LOAD RATING- | |
| MAX, D.L.+L.L. | |
| TYPE V | 180 Kips |



DETAIL "A"



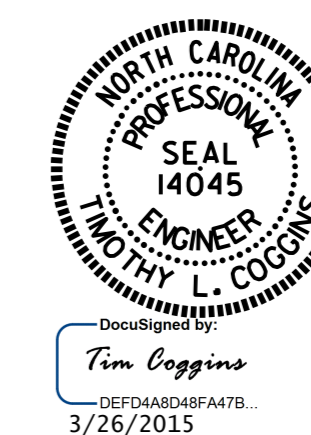
SOLE PLATE DETAILS ("P")



SOLE P PLACEMENT DETAIL

PROJECT NO. R-2514D
JONES & CRAVEN COUNTY
STATION: 625+23.28 -L-

SHEET 1 OF 2



STATE OF NORTH CAROLINA
DEPARTMENT OF TRANSPORTATION
RALEIGH
STANDARD
ELASTOMERIC BEARING
DETAILS
PRESTRESSED CONCRETE GIRDER
SUPERSTRUCTURE

| REVISIONS | | | | | | SHEET NO. | |
|-----------|-----|-------|-----|-----|-------|-----------|----|
| NO. | BY: | DATE: | NO. | BY: | DATE: | S18-018 | |
| 1 | | | 3 | | | TOTAL | 39 |
| 2 | | | 4 | | | SHEETS | |

ASSEMBLED BY: B.N. BARODAWALA DATE: 2-18-14
CHECKED BY: NEIL RUFFIN DATE: 8-20-14
DRAWN BY: EEM 2/97 TLA/GM
CHECKED BY: VAP 2/97 REV. 10/1/11 MAA/GM
REV. 5/1/06 AAC/MAA
REV. 6/13