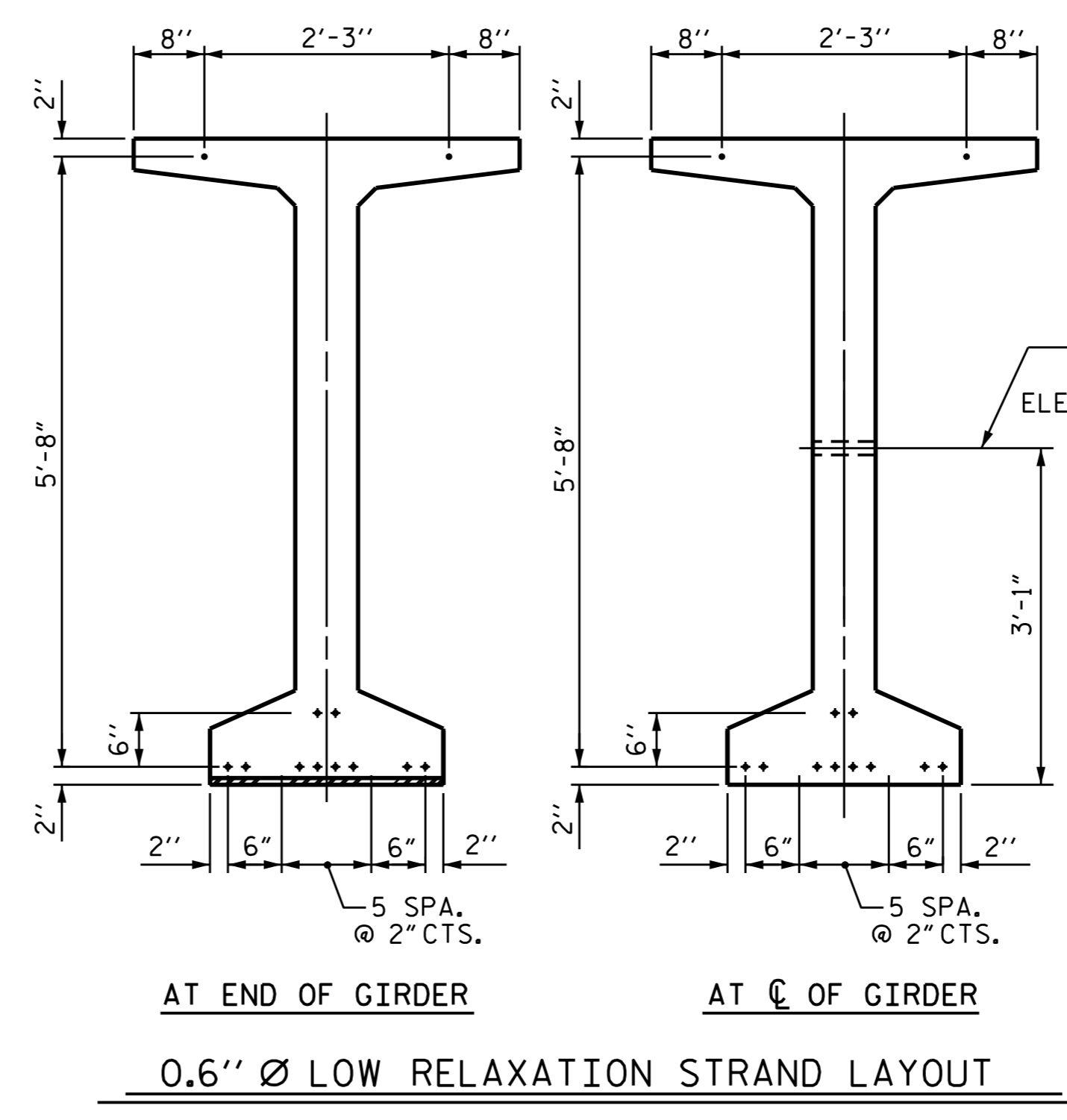


* FOR S7 BARS, SEE
DETAIL "C" OF
PRESTRESSED
CONCRETE GIRDER
CONTINUOUS FOR LIVE
LOAD DETAILS SHEET

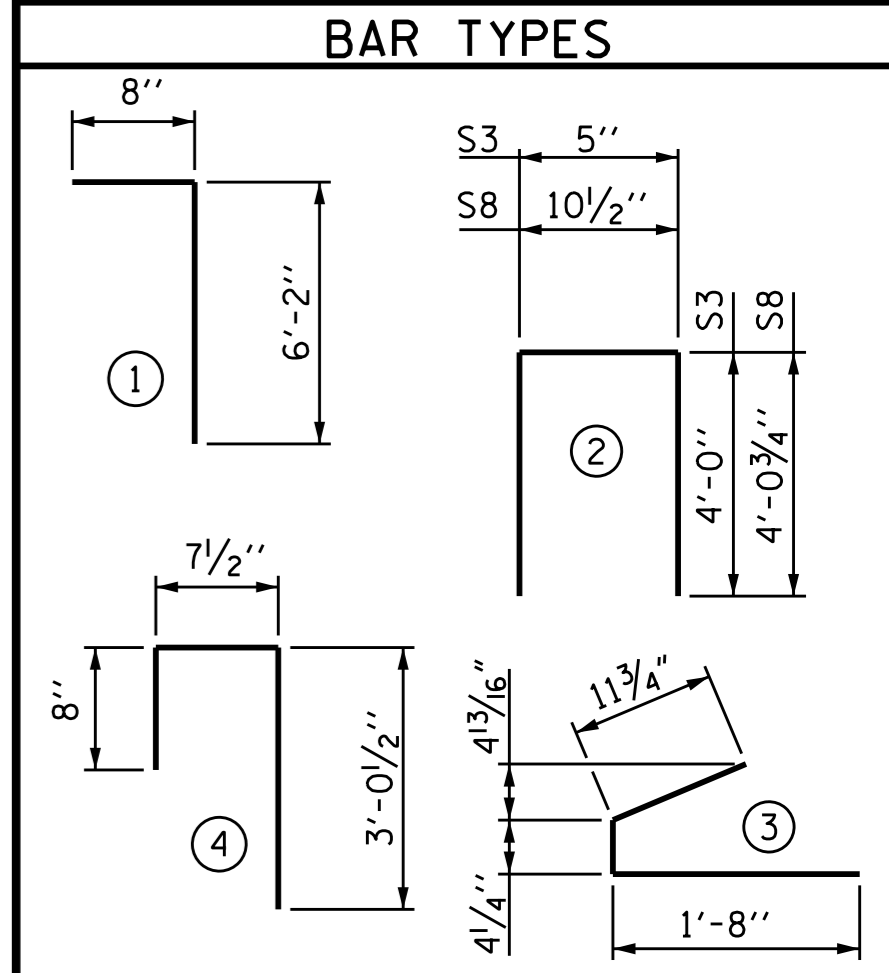


DEBONDING LEGEND
• FULLY BONDED STRANDS

0.6" Ø L. R. GRADE 270 STRANDS		
AREA (SQUARE INCHES)	ULTIMATE STRENGTH (LBS. PER STRAND)	APPLIED PRESTRESS (LBS. PER STRAND)
0.217	58,600	43,950

REINFORCING STEEL FOR ONE GDR					
BAR	NUMBER	SIZE	TYPE	LENGTH	WEIGHT
S1	104	#4	1	6'-10"	457
S2	24	#5	1	6'-10"	171
S3	14	#4	2	8'-5"	79
S4	84	#4	3	3'-0"	168
S6	128	#5	4	4'-4"	579
* S7	30	#5	STR	3'-8"	115
S8	2	#5	2	9'-0"	19
S9	17	#5	STR	3'-3"	58
S10	2	#3	STR	1'-10"	1

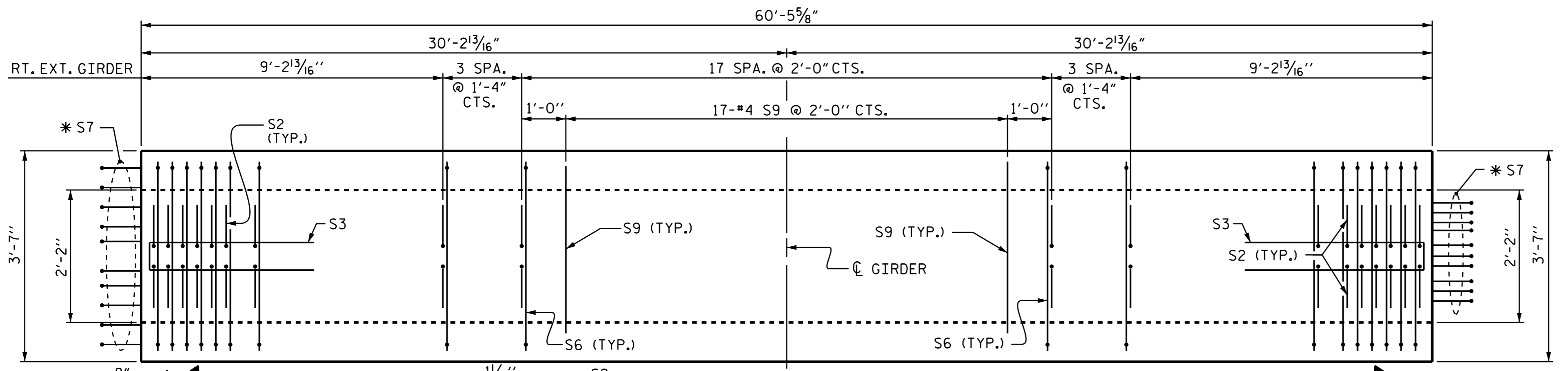
* NOTE: S7 BARS SHALL BE BENT BEFORE SHIPMENT. HEAT BENDING SHALL NOT BE ALLOWED.



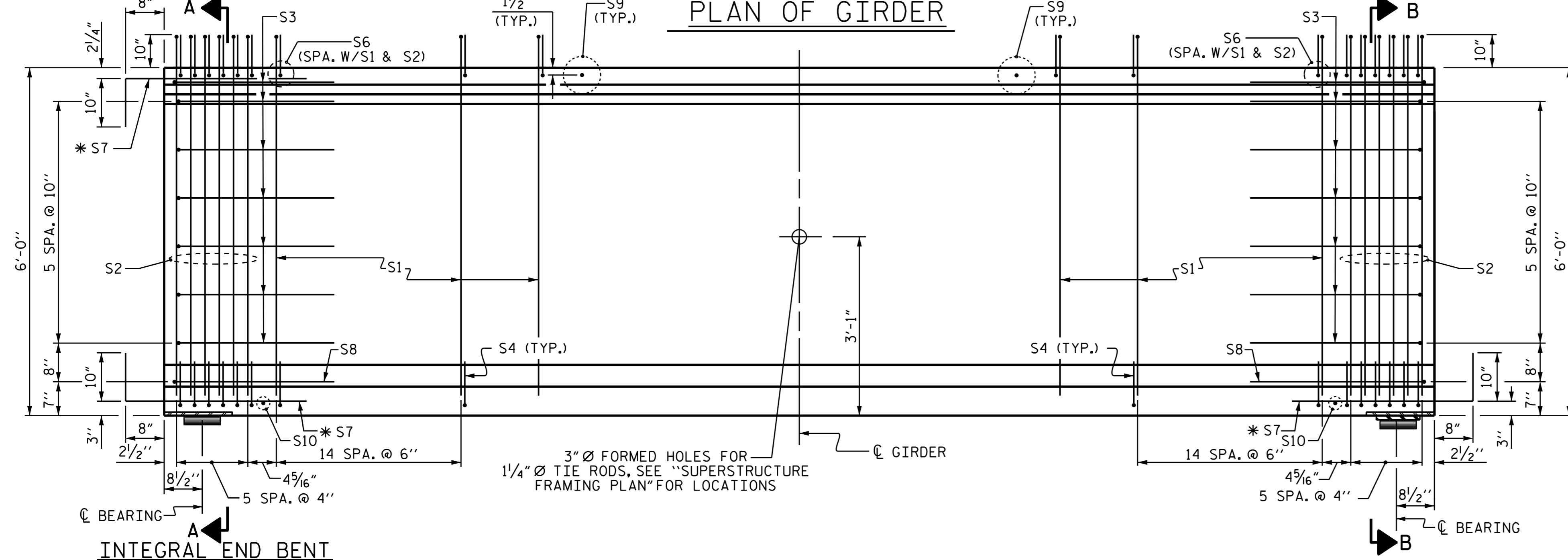
ALL BAR DIMENSIONS ARE OUT-TO-OUT.

	REINFORCING STEEL		5000 PSI CONCRETE		0.6" Ø L. R. STRANDS	
	LB.	C.Y.			No.	
EXTERIOR GIRDER	1,665	13.0			12	

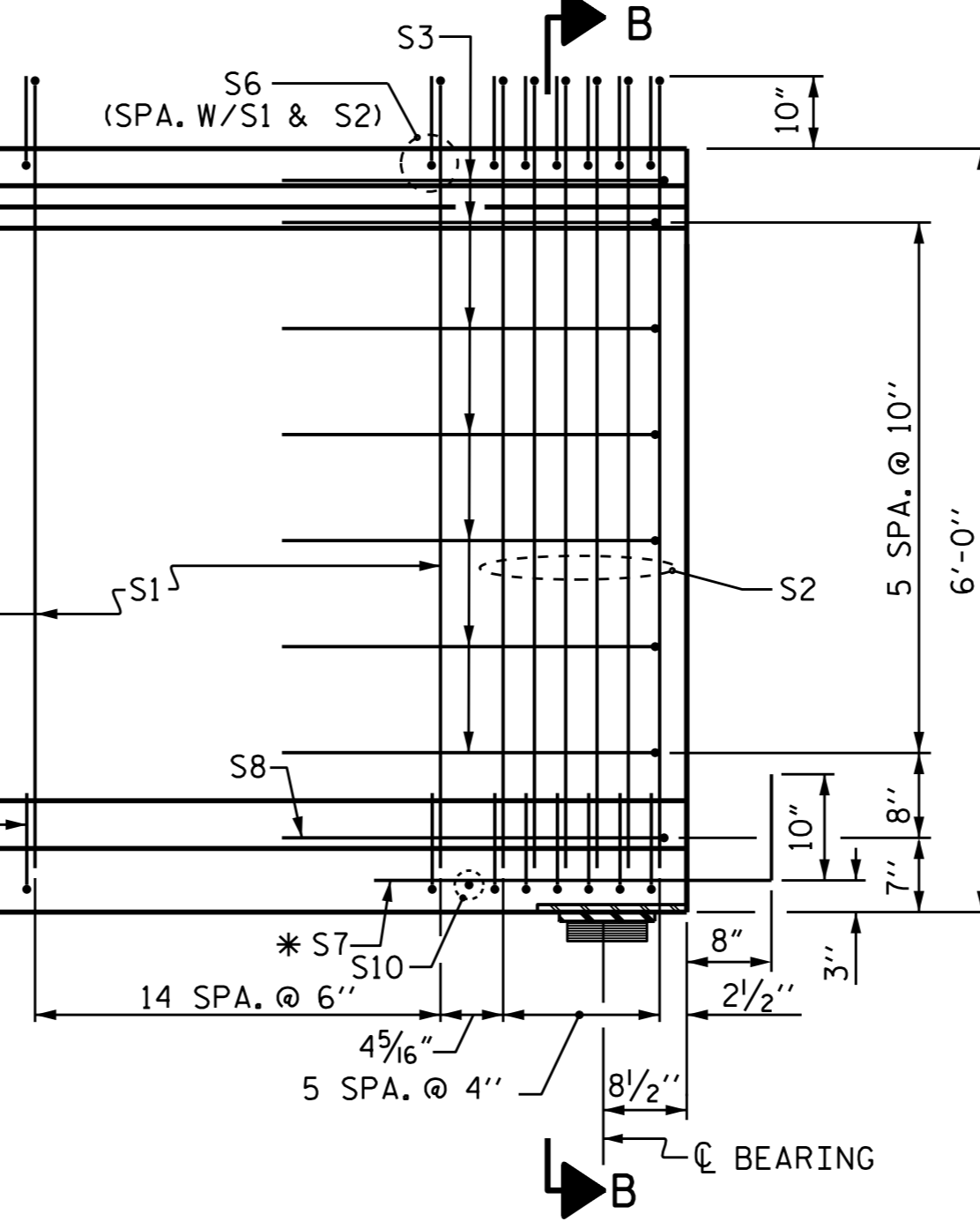
GIRDERS REQUIRED		
NUMBER	LENGTH	TOTAL LENGTH
2	60'-5 5/8"	120'-11 1/4"



PLAN OF GIRDER



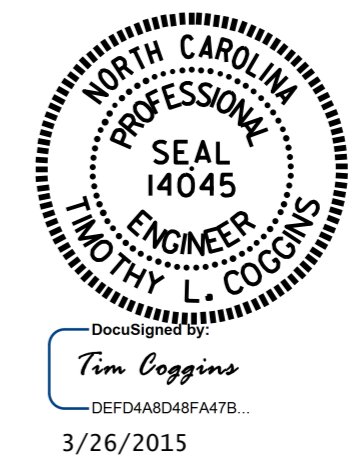
ELEVATION OF GIRDER



CONTINUOUS BENT

ASSEMBLED BY : B.N.BARODAWALA DATE : 2-18-14
CHECKED BY : NEIL RUFFIN DATE : 8-19-14
DRAWN BY : EEM 2/6/97 REV. 10/17/00 RWW/LES
CHECKED BY : VAP 2/6/97 REV. 5/1/06R TLA/GM
REV. 10/1/11 REV. 10/1/11 MAA/GM

26-MAR-2015 09:23
R:\Structures\Final Plans\DocuSign_Setup\418.000_R-25140.SMU.S18-00.dgn
nruffin



PROJECT NO. R-2514D
JONES & CRAVEN COUNTY
STATION: 625+23.28 -L-

SHEET 1 OF 3

STATE OF NORTH CAROLINA
DEPARTMENT OF TRANSPORTATION
RALEIGH
STANDARD
72" PRESTRESSED CONCRETE
MODIFIED BULB TEE
CONTINUOUS FOR LIVE LOAD
SPANS A & C

REVISIONS						SHEET NO. S18-015
NO.	BY:	DATE:	NO.	BY:	DATE:	
1			3			TOTAL SHEETS 39
2			4			

STR. #18 STD. NO. PCG8 (Sht. 2)