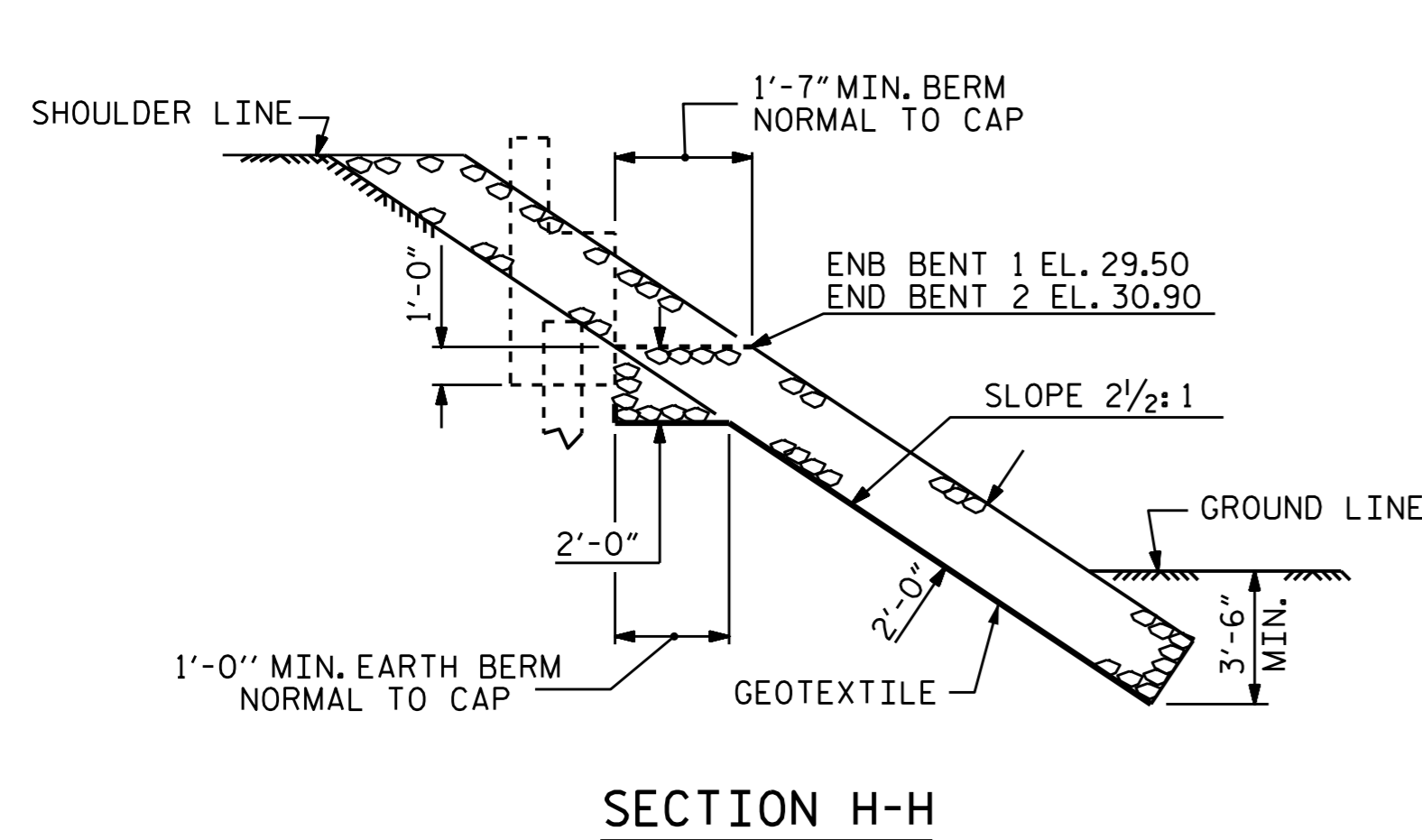
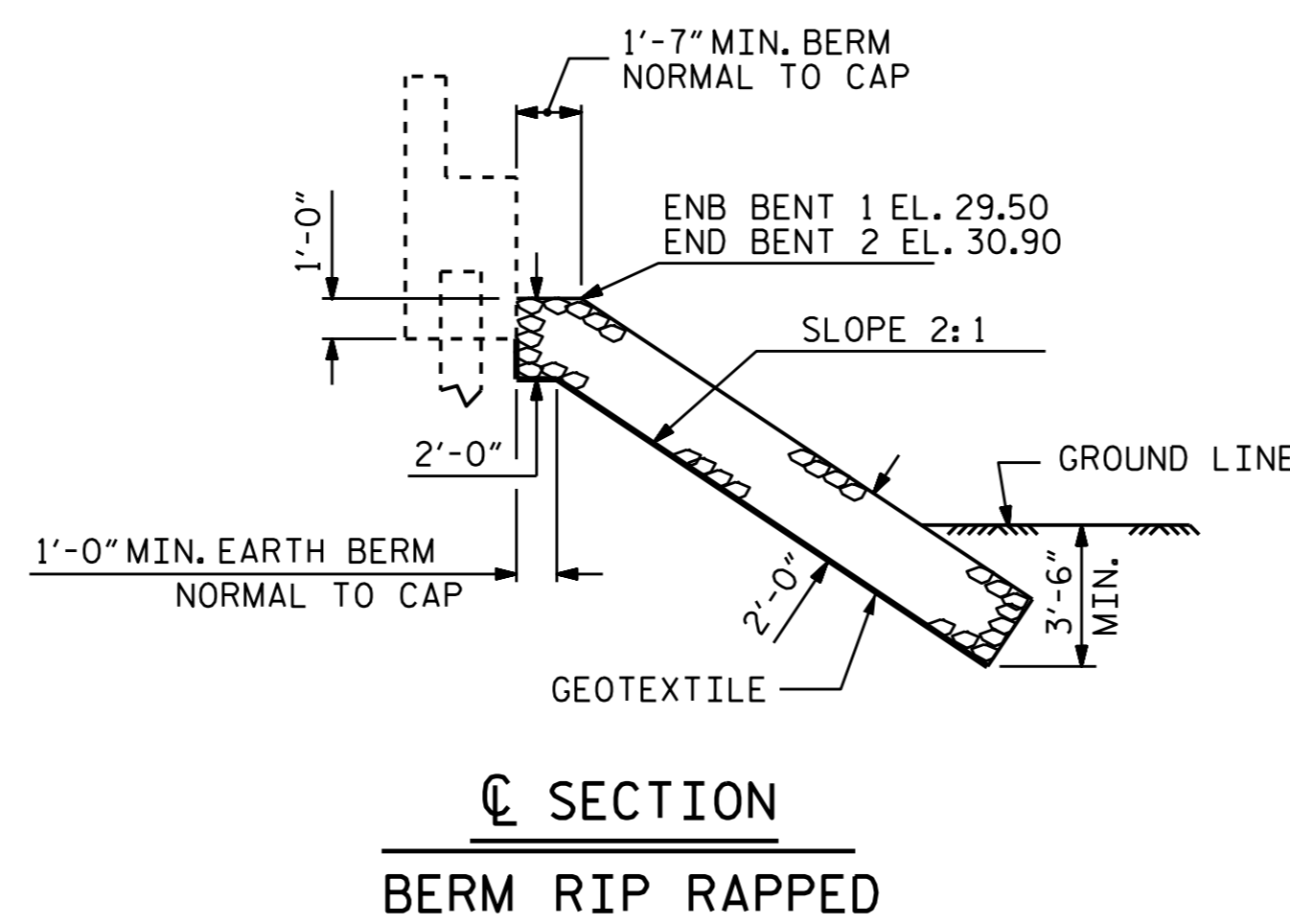


ESTIMATED QUANTITIES		
BRIDGE @ STA. 19+43.00 -Y10RPA-	RIP RAP CLASS II (2'-0" THICK)	GEOTEXTILE FOR DRAINAGE
	TONS	SQUARE YARDS
END BENT 1	190	208
END BENT 2	155	168

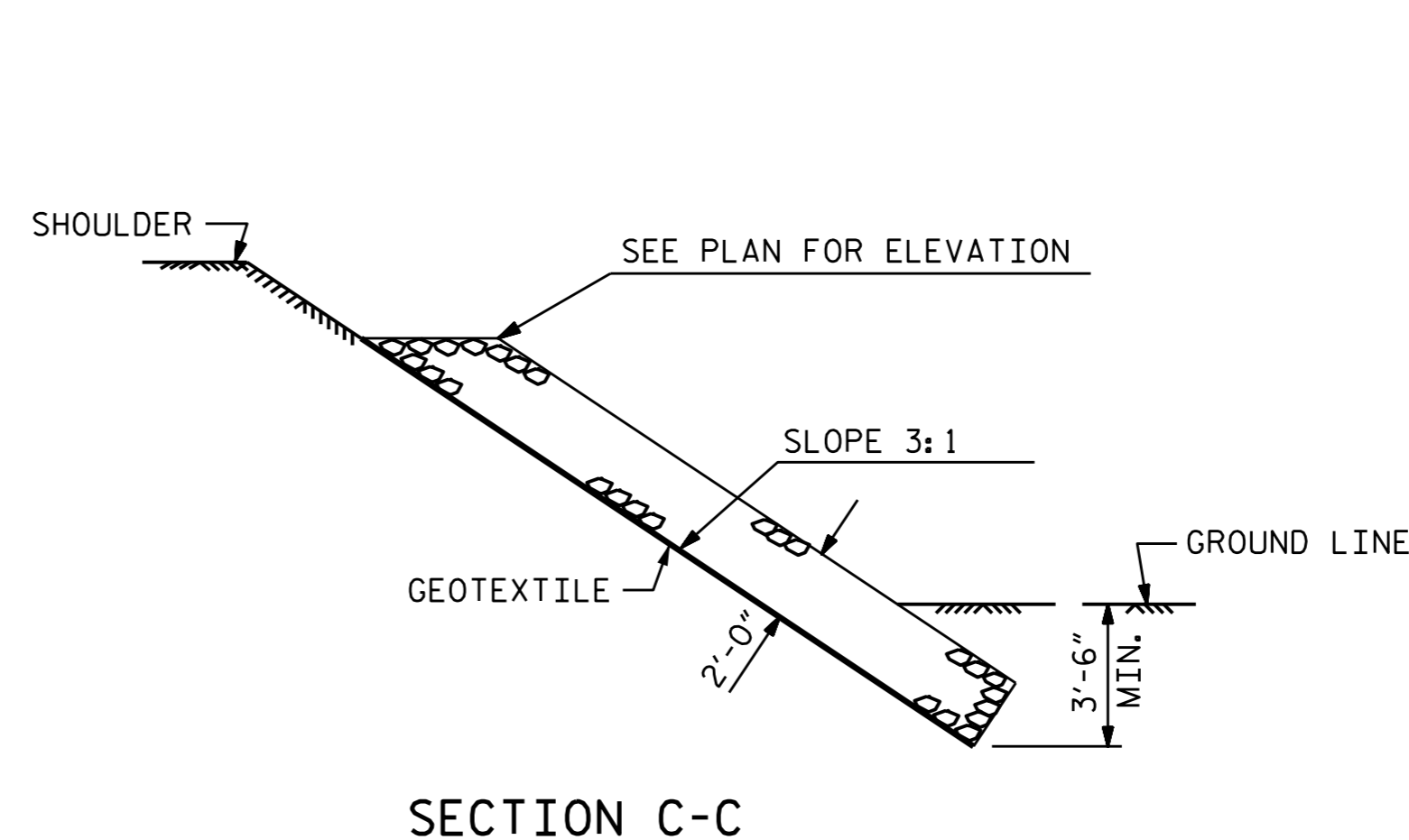
PLAN



SECTION H-H



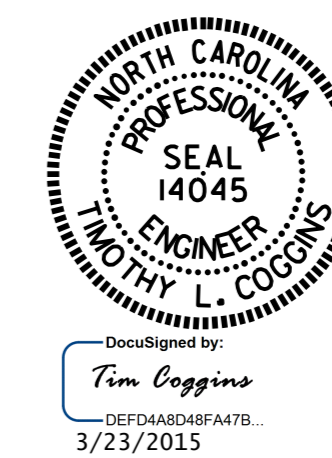
**SECTION C-C
BERM RIP RAPPED**



SECTION C-C

PROJECT NO. R-2514D
JONES & CRAVEN COUNTY
 STATION: 19+43.00 -Y10RPA-

STATE OF NORTH CAROLINA
 DEPARTMENT OF TRANSPORTATION
 RALEIGH
 STANDARD
 —RIP RAP DETAILS—



ASSEMBLED BY : <i>N. Ruffin</i>	DATE : 12/18/14
CHECKED BY : B.N. BARODAWALA	DATE : 1/15/15
DRAWN BY : REK 1/84	REV. 5/1/06R TLA/GM
CHECKED BY : RDU 1/84	REV. 10/1/11 MAA/GM
	REV. 12/21/11 MAA/GM

REVISIONS						SHEET NO.
NO.	BY:	DATE:	NO.	BY:	DATE:	TOTAL SHEETS
1			3			32
2			4			