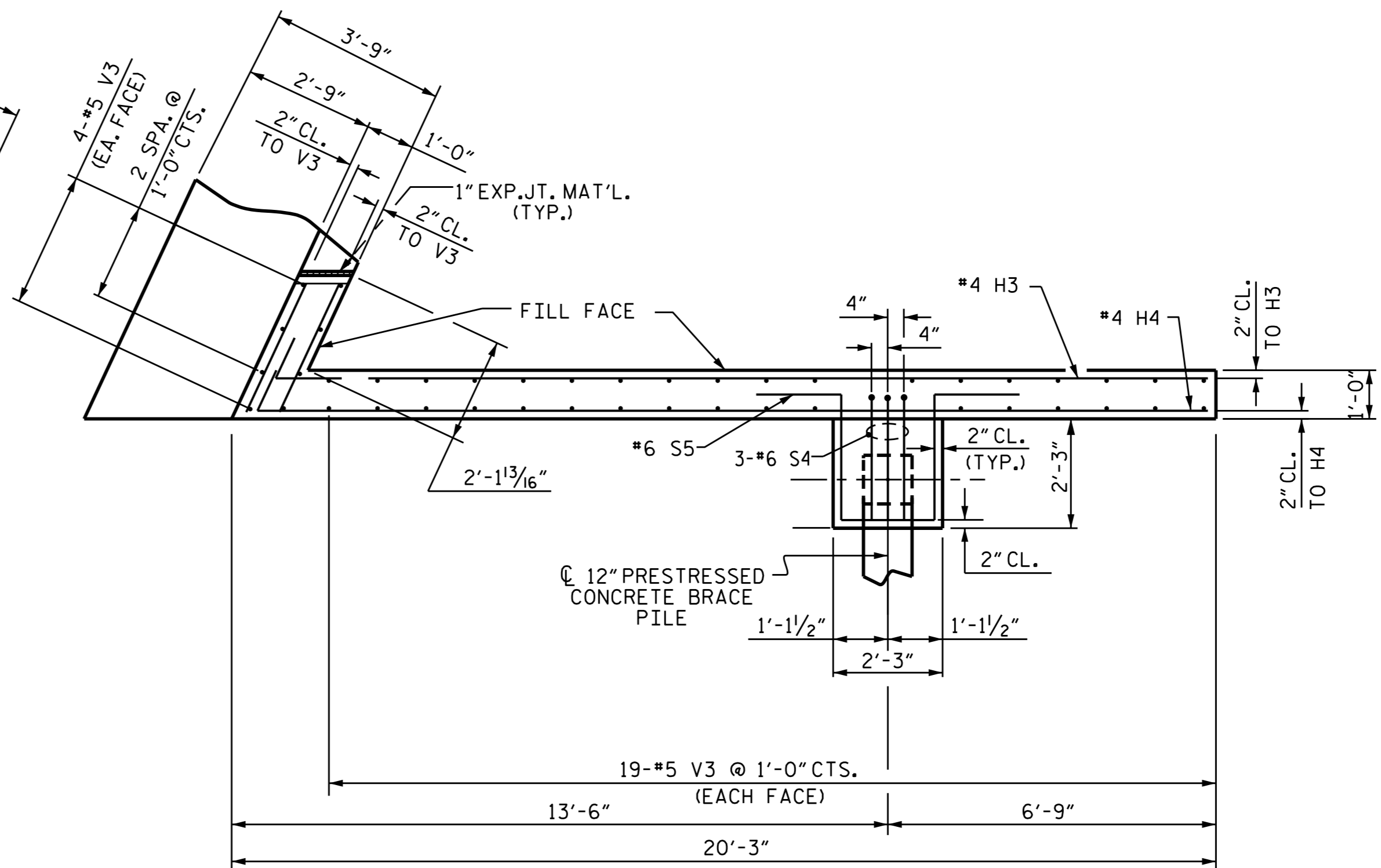
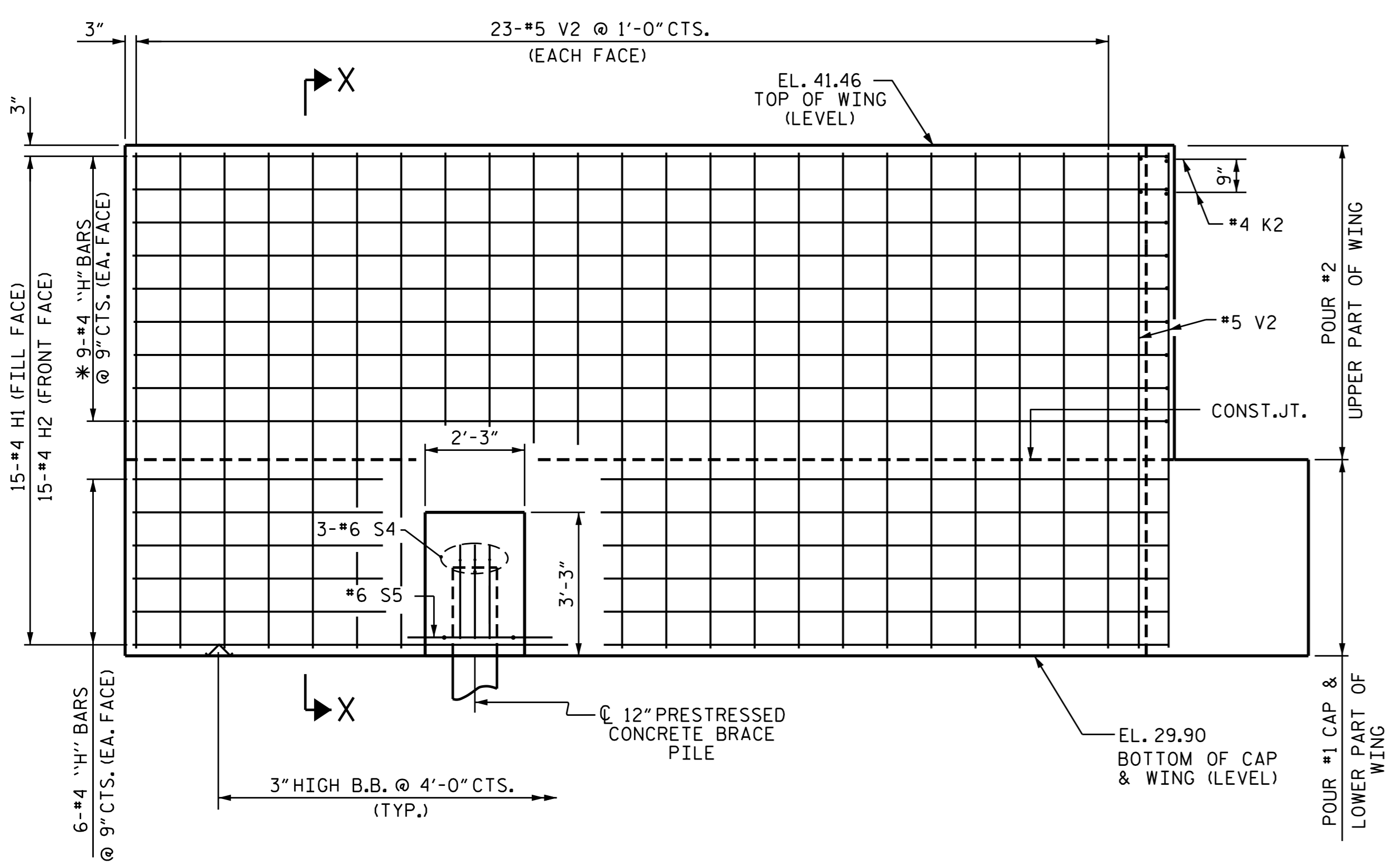


PLAN OF LEFT WING (W1)

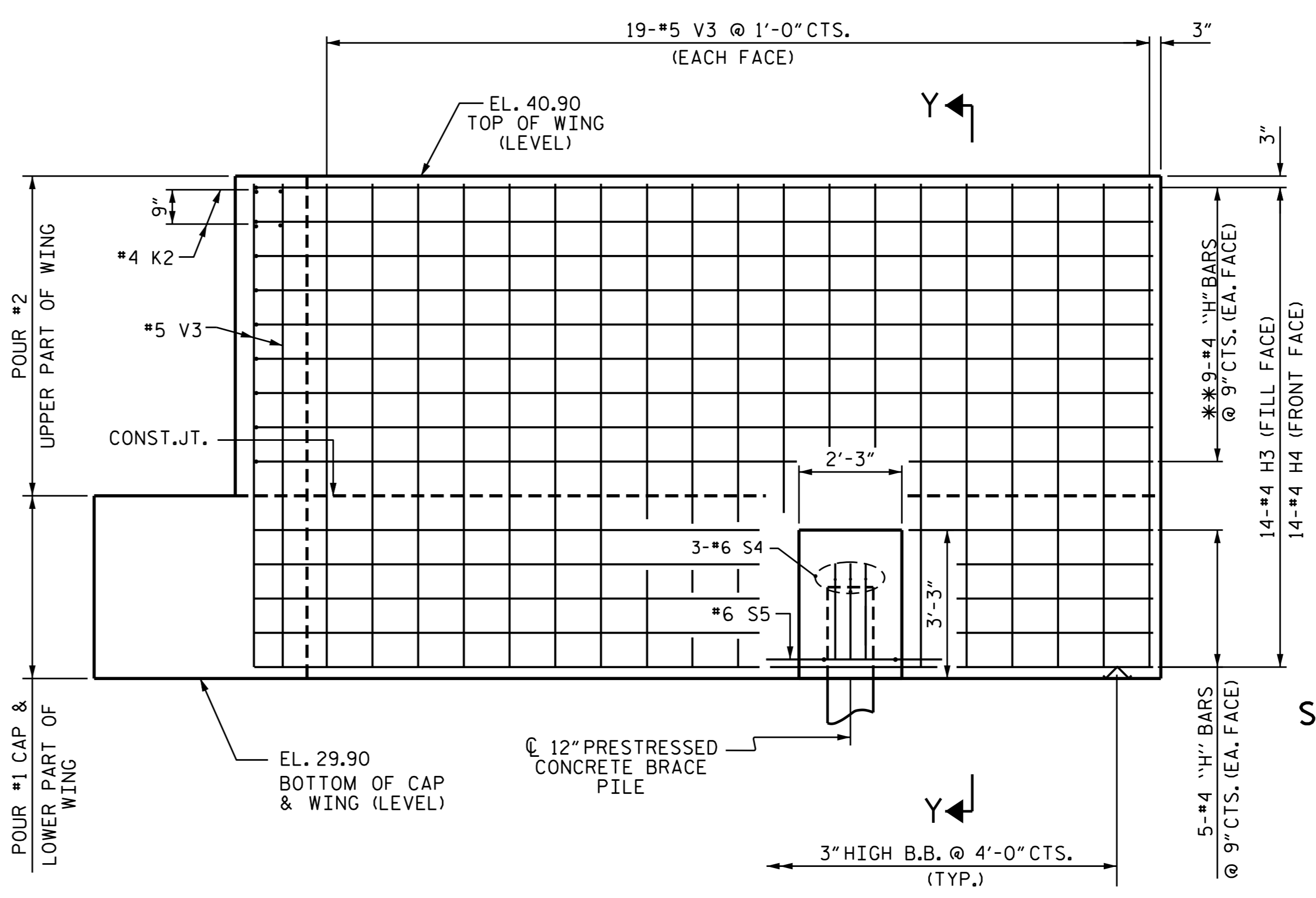


PLAN OF RIGHT WING (W2)



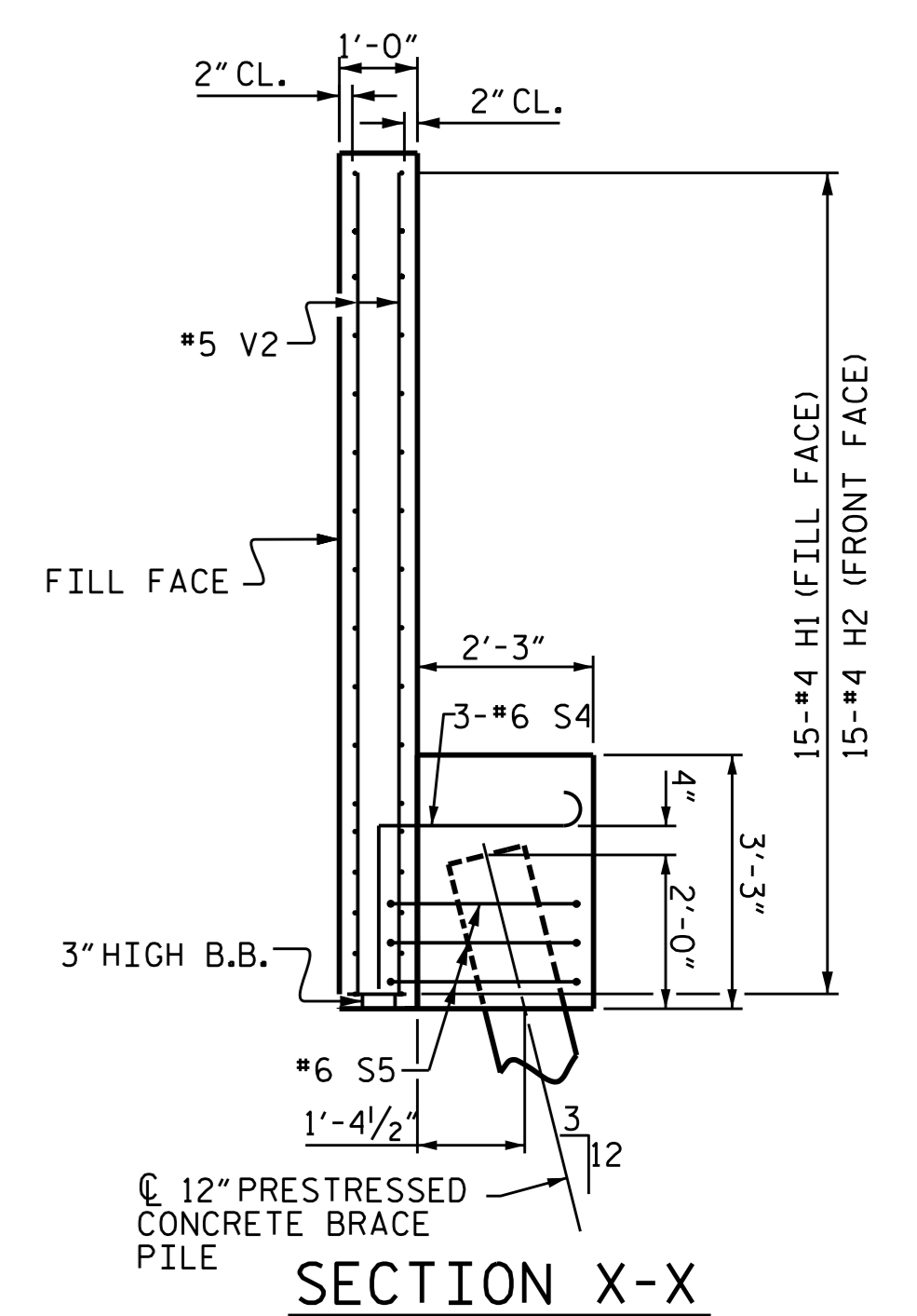
ELEVATION OF LEFT WING (W1)

* MATCH #4 H1 & #4 H2 TO "K" BARS IN BACKWALL

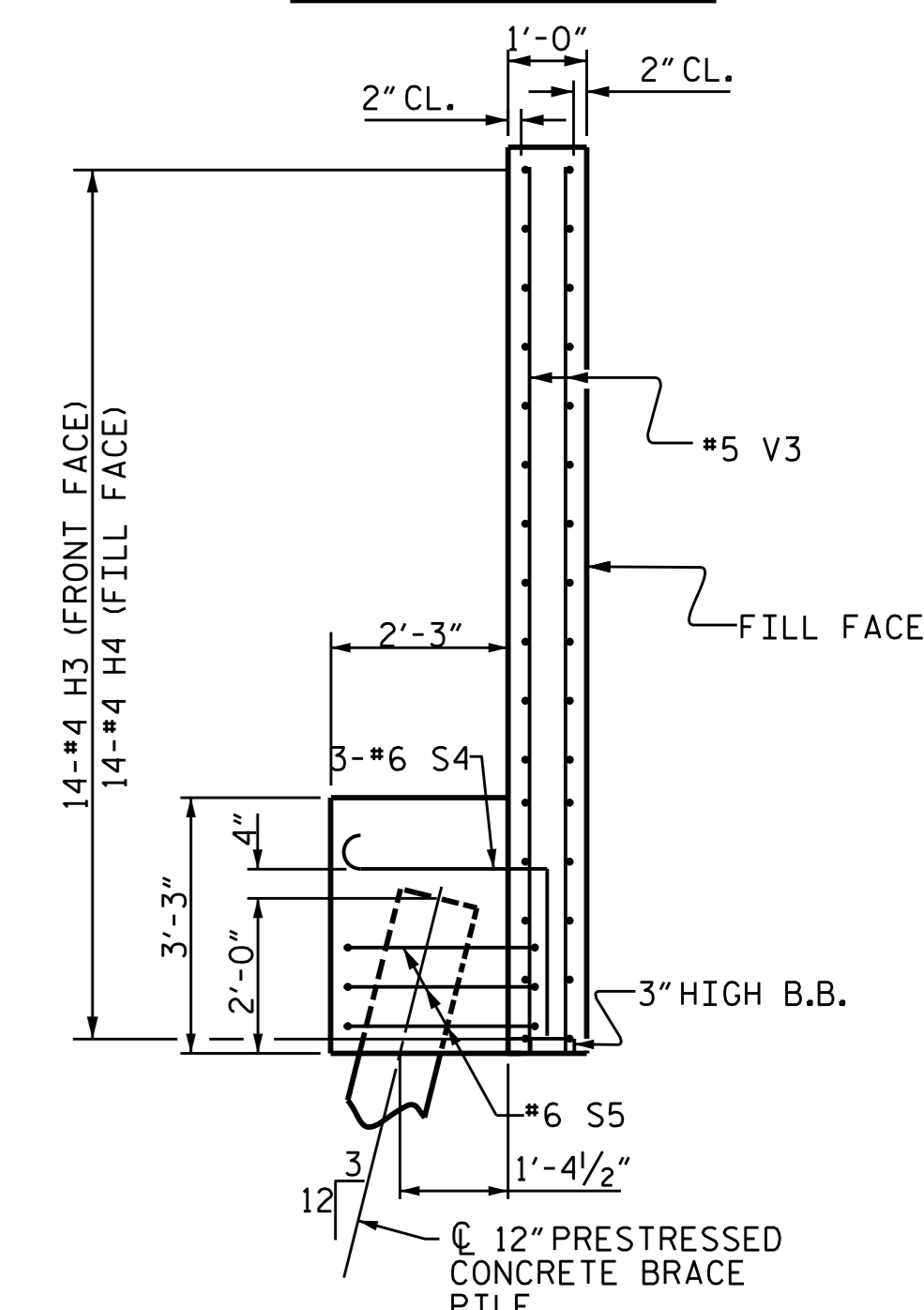


ELEVATION OF RIGHT WING (W2)

** MATCH #4 H3 & #4 H4 TO "K" BARS IN BACKWALL



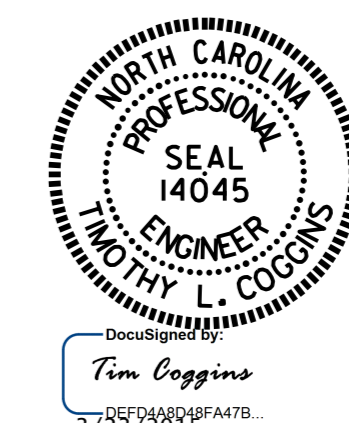
SECTION X-X



SECTION Y-Y

PROJECT NO. R-2514D
 JONES/ CRAVEN COUNTY
 STATION: 19+43.00 -Y10RPA-

SHEET 2 OF 3



STATE OF NORTH CAROLINA DEPARTMENT OF TRANSPORTATION RALEIGH					
SUBSTRUCTURE END BENT 2					
REVISIONS					
NO.	BY:	DATE:	NO.	BY:	DATE:
1			3		
2			4		

DRAWN BY: GHOLAMREZA KOUCHEKI DATE: 10/23/14
 CHECKED BY: M.D. PISO DATE: 10/22/14
 DESIGN ENGINEER OF RECORD: NEIL RUFFIN DATE: 6/13/14