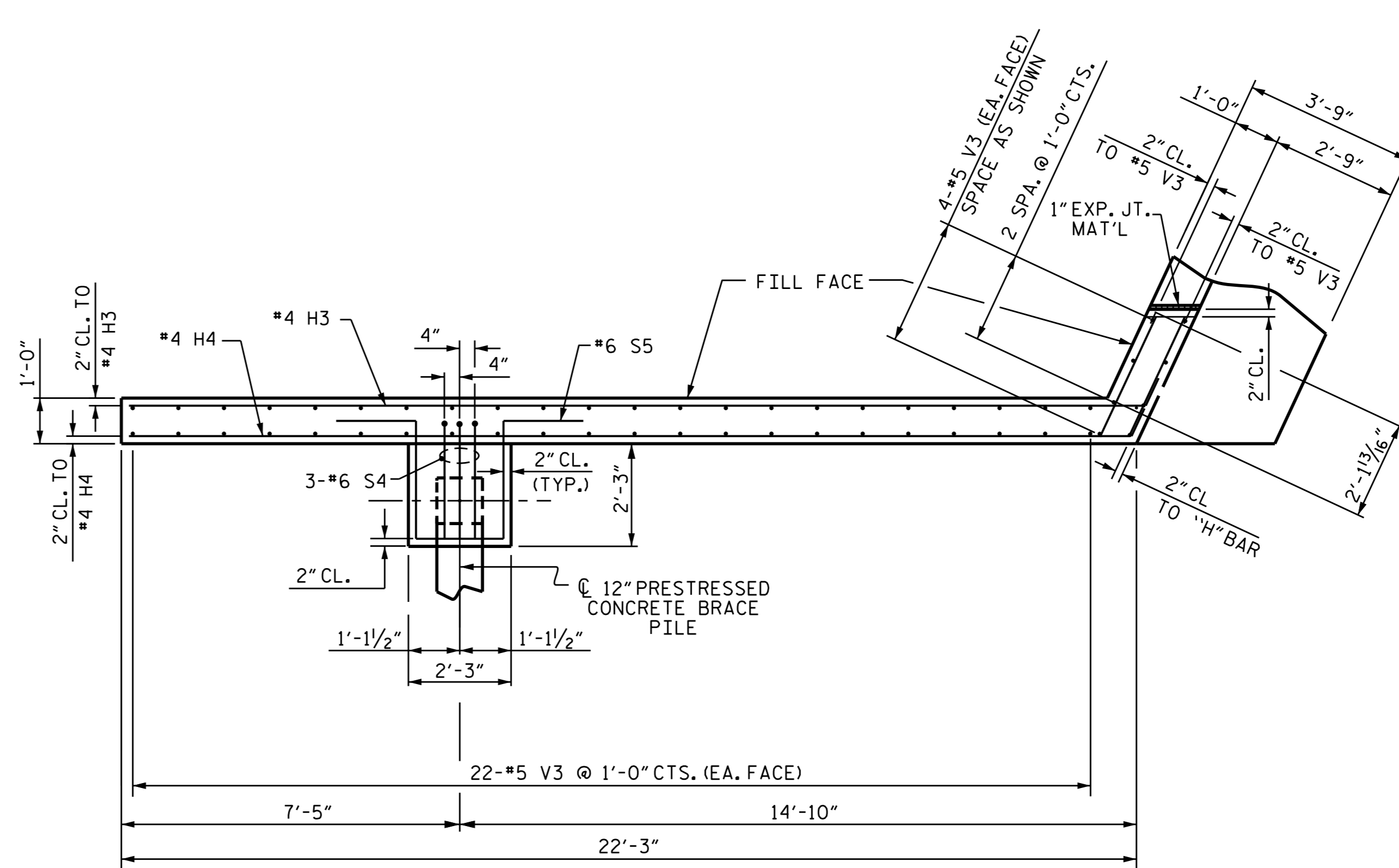
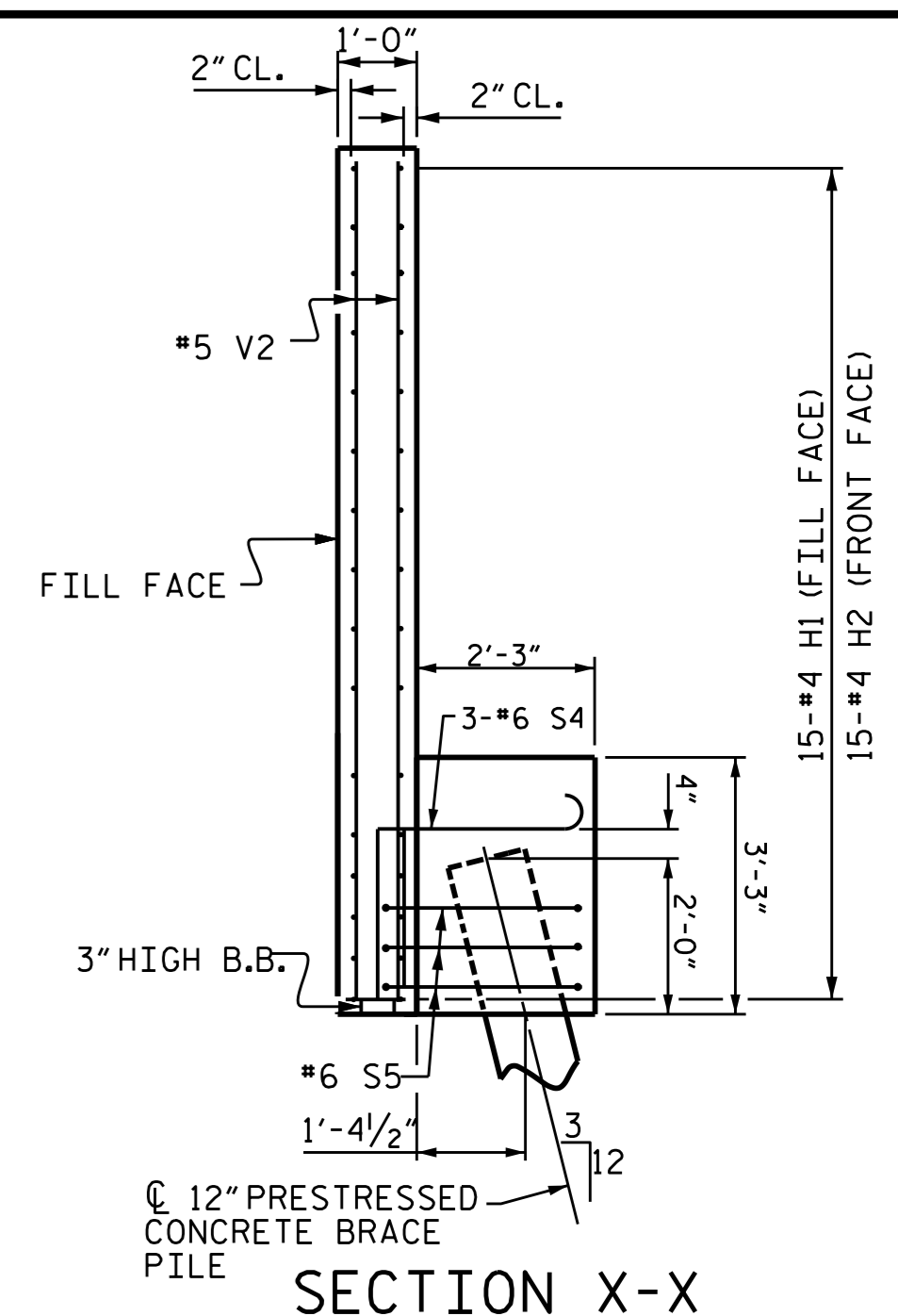


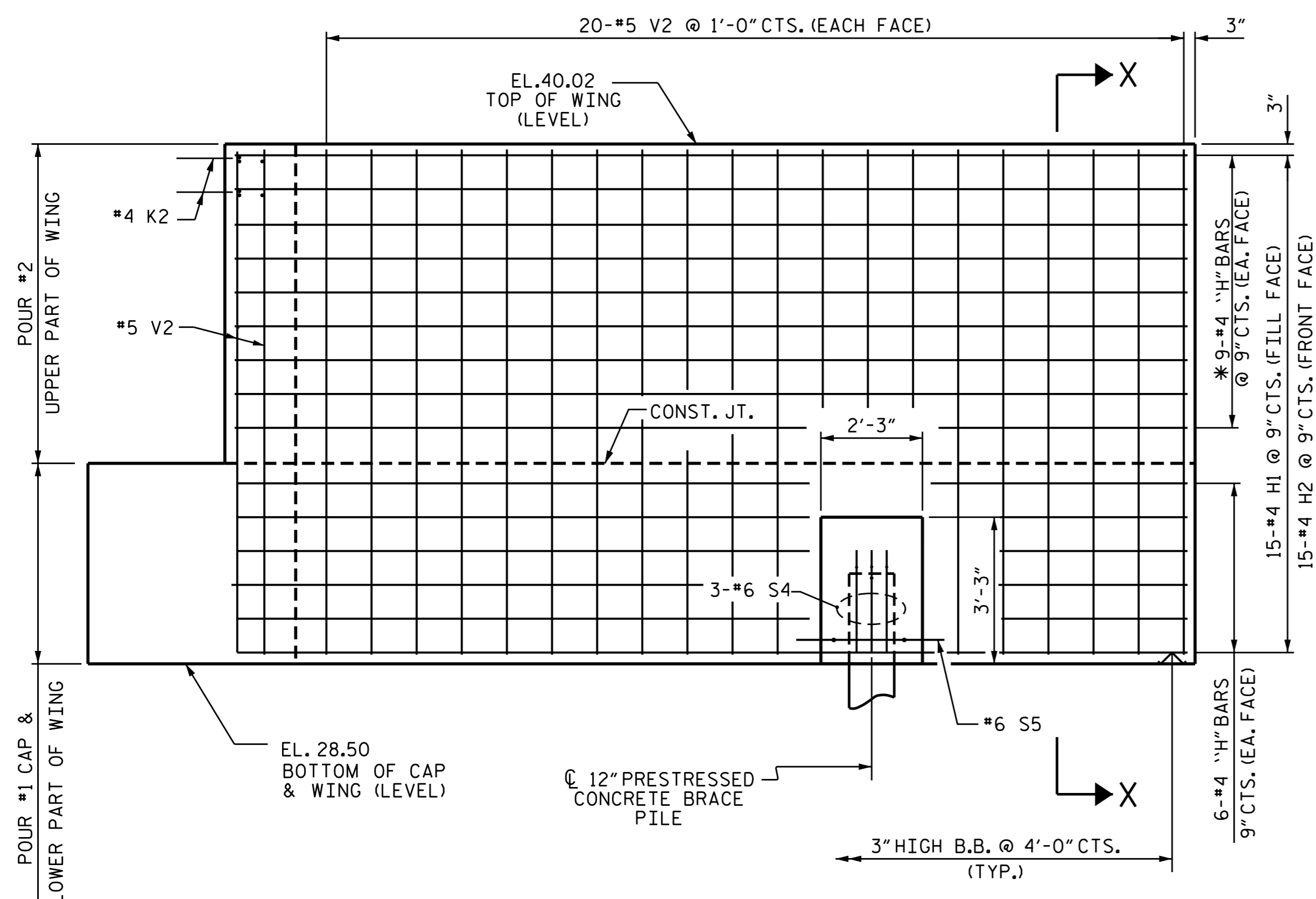
PLAN OF LEFT WING (W1)



PLAN OF RIGHT WING (W2)

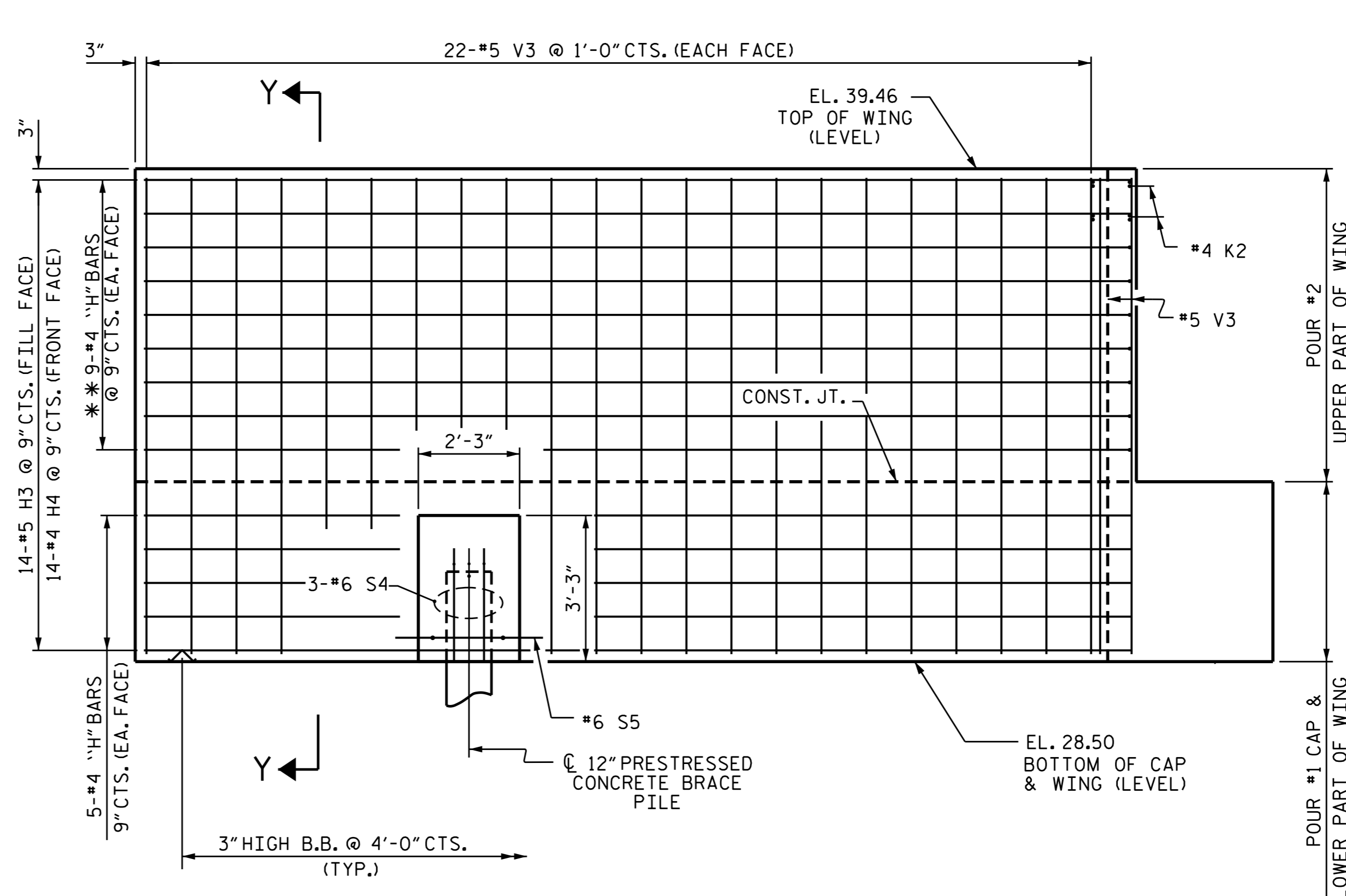


SECTION X-X



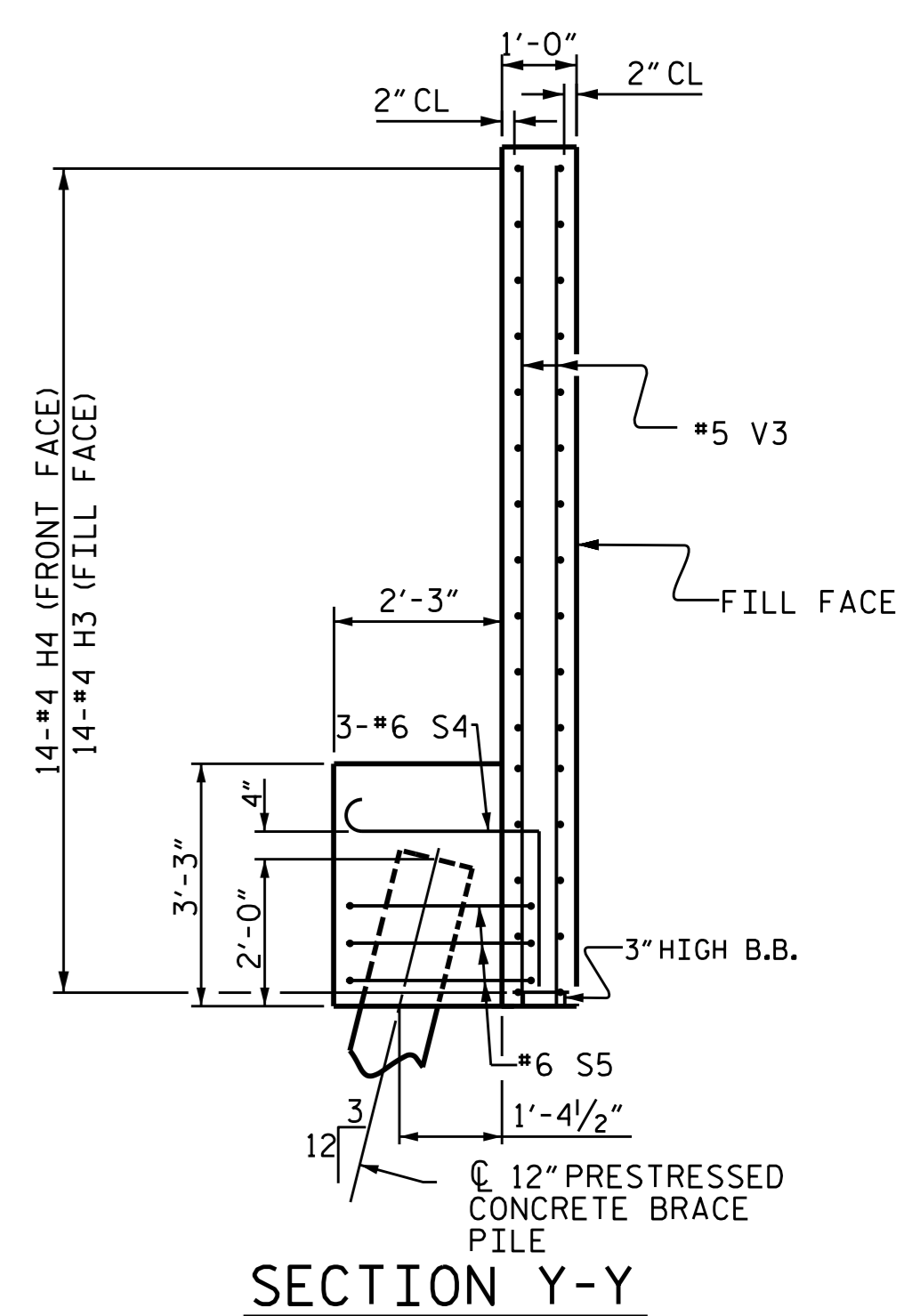
ELEVATION OF LEFT WING (W1)

* MATCH #4 H1 & #4 H2 TO "K" BARS IN BACKWALL



ELEVATION OF RIGHT WING (W2)

** MATCH #4 H3 & #4 H4 TO "K" BARS IN BACKWALL

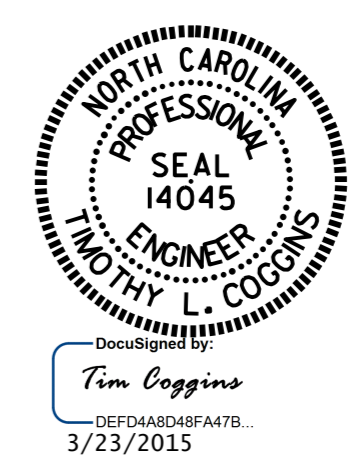


SECTION Y-Y

PROJECT NO. R-2514D
 JONES & CRAVEN COUNTY
 STATION: 19+43.00 -Y1ORPA-

SHEET 2 OF 3

STATE OF NORTH CAROLINA DEPARTMENT OF TRANSPORTATION RALEIGH					
SUBSTRUCTURE END BENT NO.1					
REVISIONS					
NO.	BY:	DATE:	NO.	BY:	DATE:
1			3		
2			4		
					SHEET NO. S17-020
					TOTAL SHEETS 32



DRAWN BY: GHOLAMREZA KOUCHEKI DATE: 10/16/14
 CHECKED BY: M.D.PISO DATE: 10/22/14
 DESIGN ENGINEER OF RECORD: NEIL RUFFIN DATE: 1/29/15