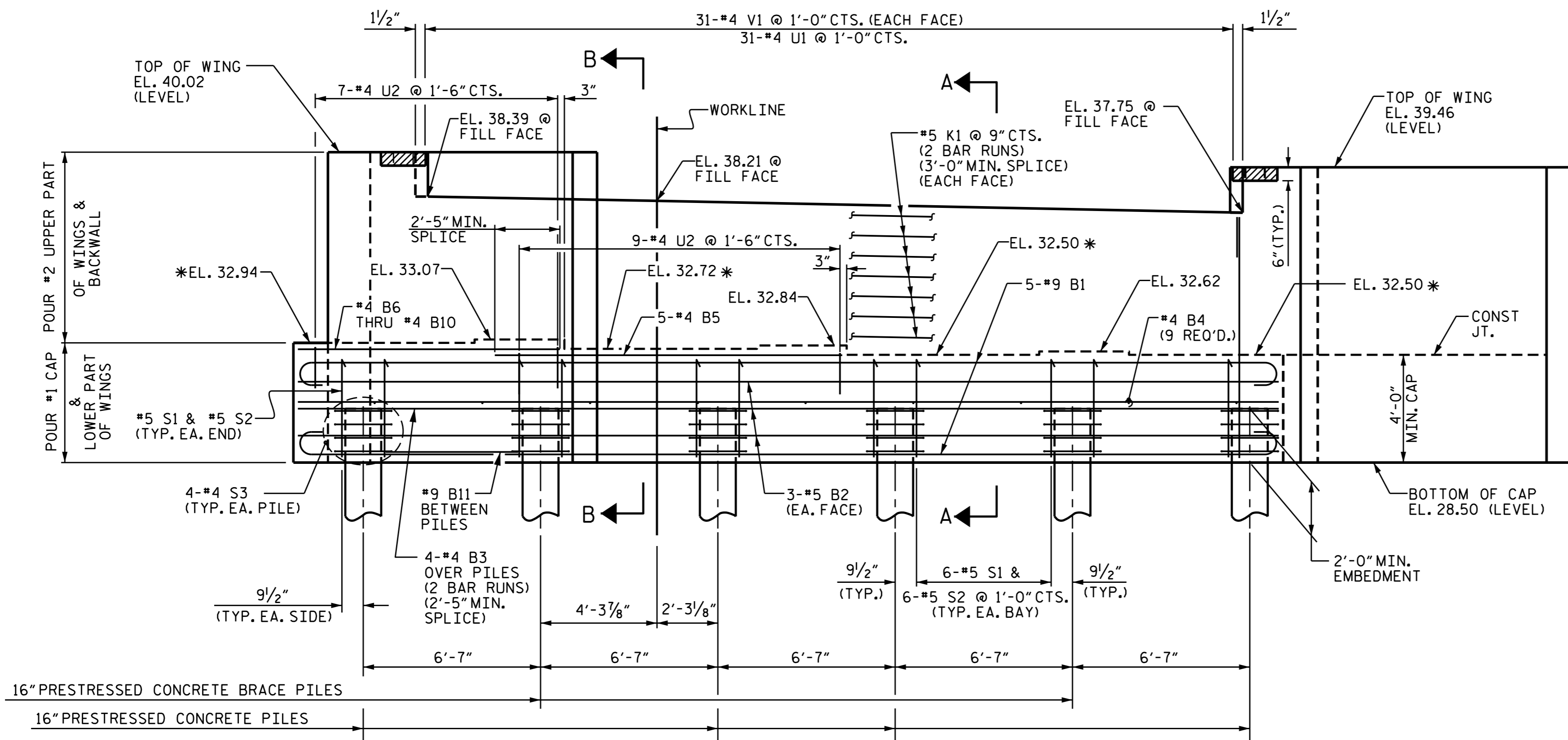


PLAN

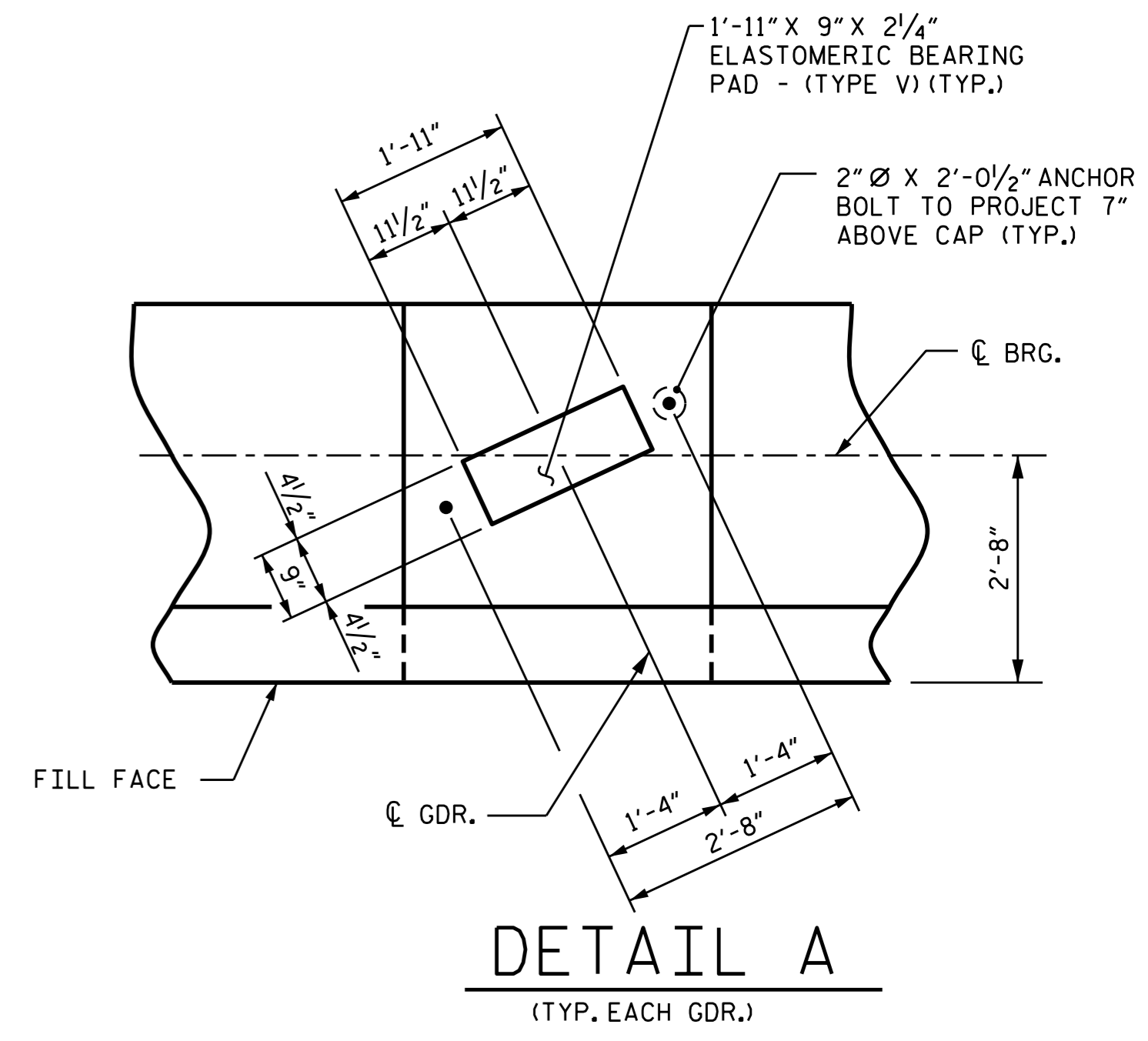


ELEVATION

WING BRACE PILES NOT SHOWN FOR CLARITY

NOTES:

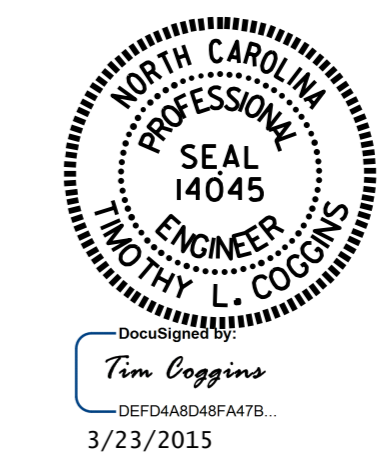
- STIRRUPS IN THE CAP MAY BE SHIFTED AS NECESSARY TO CLEAR ANCHOR BOLTS.
- BACKWALL SHALL BE PLACED BEFORE APPLYING THE EPOXY COATING.
- THE TOP SURFACE AREAS OF THE END BENT CAP SHALL BE CURED IN ACCORDANCE WITH THE STANDARD SPECIFICATIONS EXCEPT THAT THE MEMBRANE CURING COMPOUND METHOD SHALL NOT BE USED.
- THE TOP SURFACE OF THE END BENT CAP EXCEPT THE BRIDGE SEAT BUILDUPS SHALL BE SLOPED TRANSVERSELY FROM THE FILL FACE TO THE BACK FACE AT THE RATE OF 2%.
- THE CONCRETE IN THE SHADED AREA OF THE WING SHALL BE POURED AFTER THE VERTICAL CONCRETE BARRIER RAIL IS CAST IF SLIP FORMING IS USED.



DETAIL A
(TYP. EACH GDR.)

PROJECT NO. R-2514D
 JONES & CRAVEN COUNTY
 STATION: 19+43.00 -Y10RPA-

SHEET 1 OF 3



STATE OF NORTH CAROLINA					
DEPARTMENT OF TRANSPORTATION					
RALEIGH					
SUBSTRUCTURE					
END BENT No. 1					
REVISIONS					
NO.	BY:	DATE:	NO.	BY:	DATE:
1			3		
2			4		
					SHEET NO. S17-019
					TOTAL SHEETS 32

DRAWN BY: GHOLAMREZA KOUCHEKI DATE: 9/23/14
 CHECKED BY: M.D. PISO DATE: 10/22/14
 DESIGN ENGINEER OF RECORD: NEIL RUFFIN DATE: 1/29/15