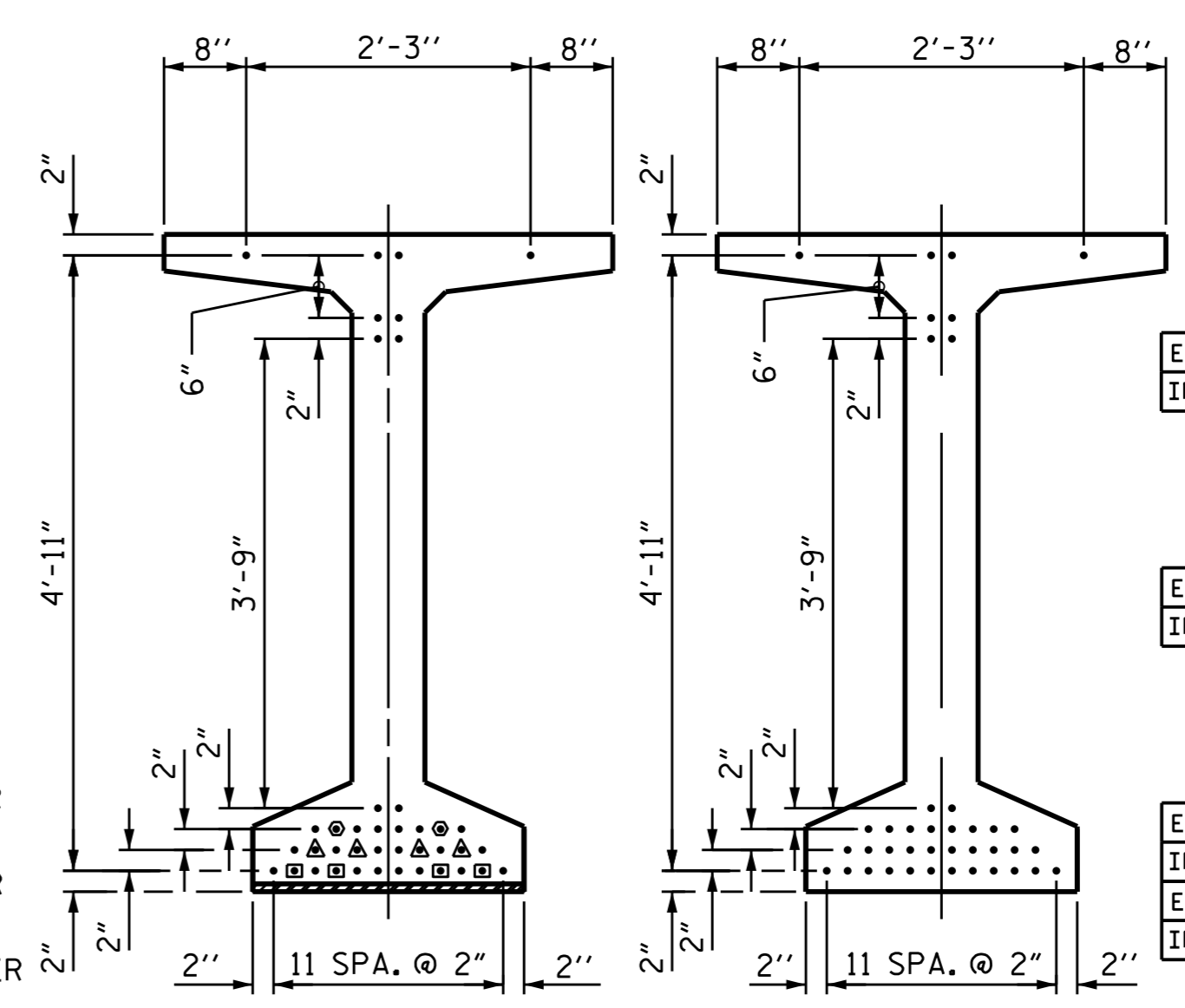


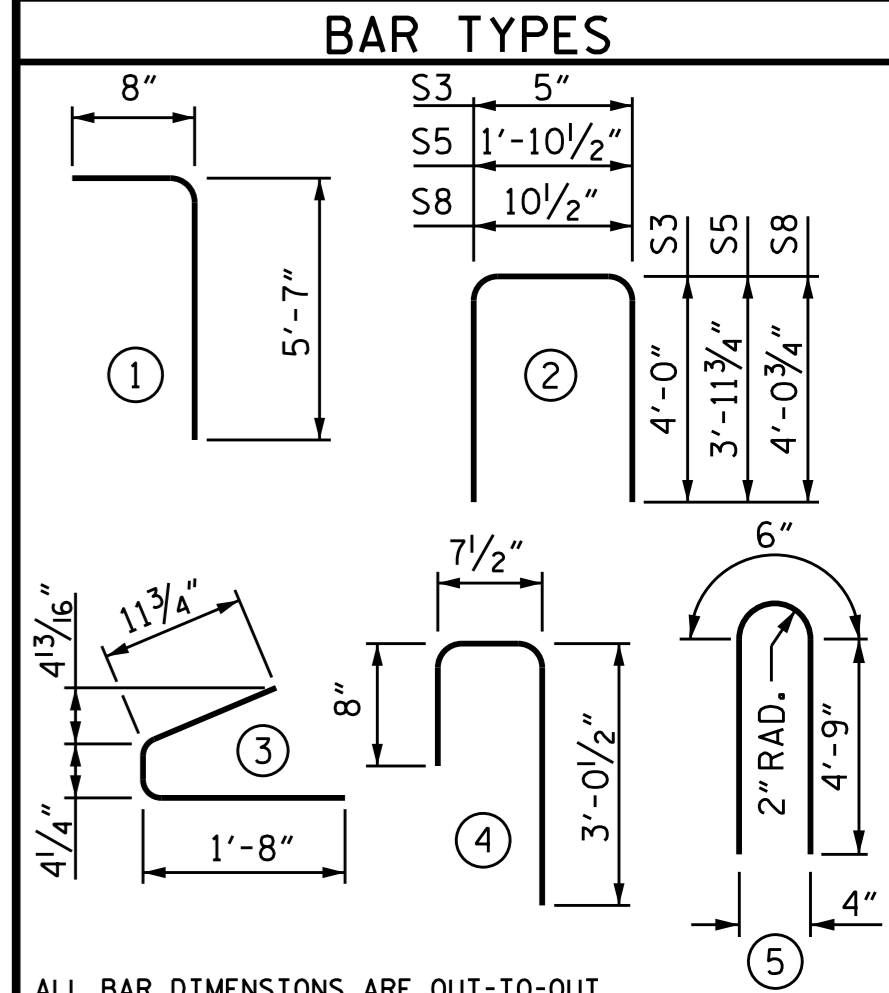
1/2" Ø FORMED HOLE. SEE ELEVATION FOR LOCATION. FOR DIM. "A", "B" & "C" SEE "INTERMEDIATE STEEL DIAPHRAGMS" SHEET.



0.6" Ø L. R. GRADE 270 STRANDS		
AREA (SQ. INCHES)	ULTIMATE STRENGTH (LBS. PER STRAND)	APPLIED PRESTRESS (LBS. PER STRAND)
0.217	58,600	43,950

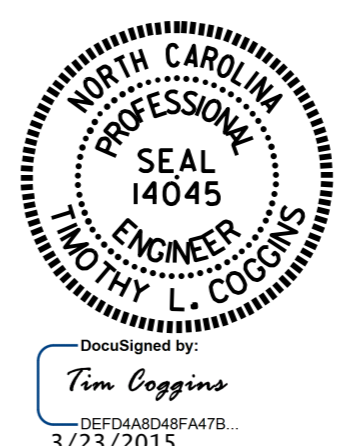
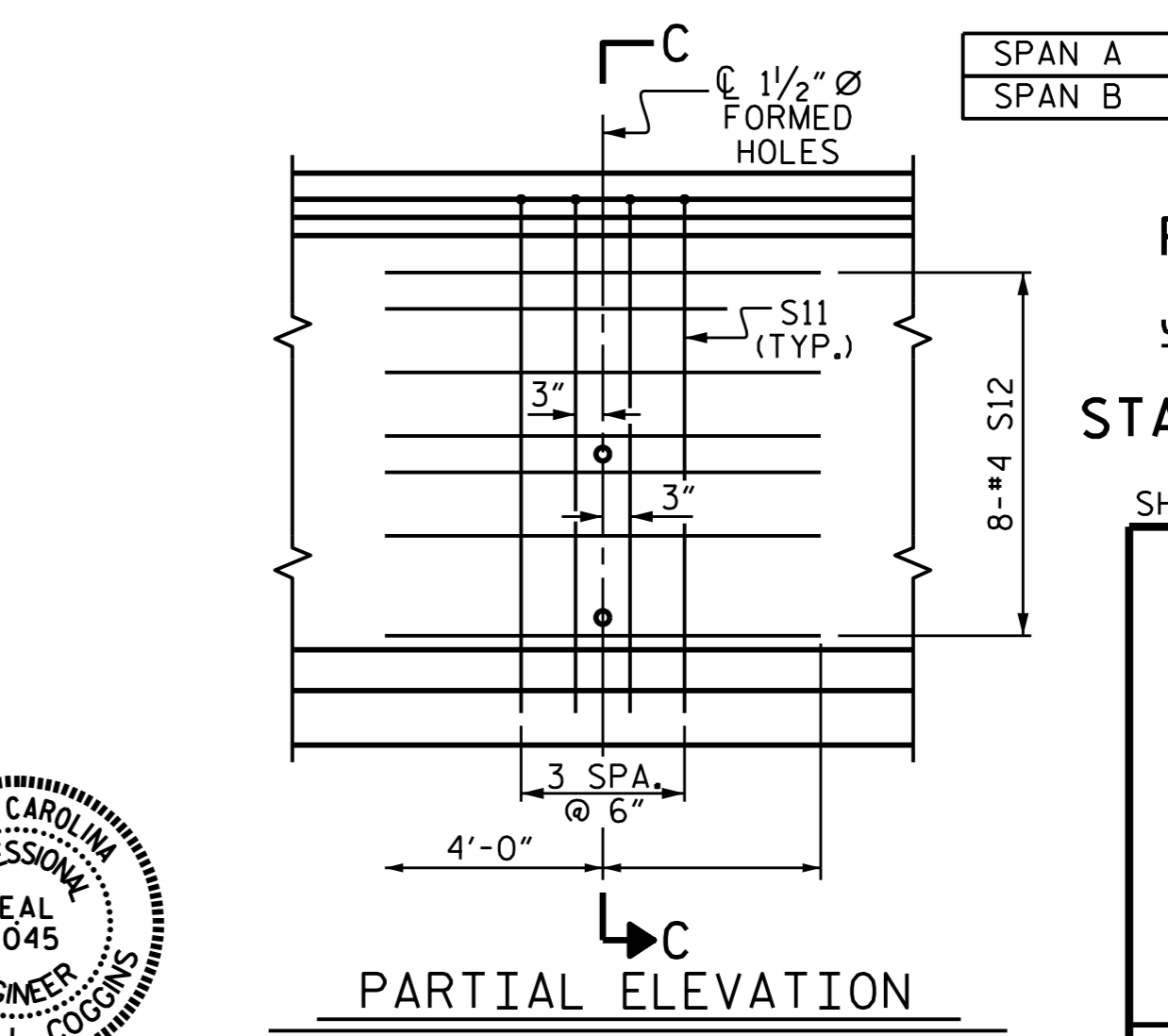
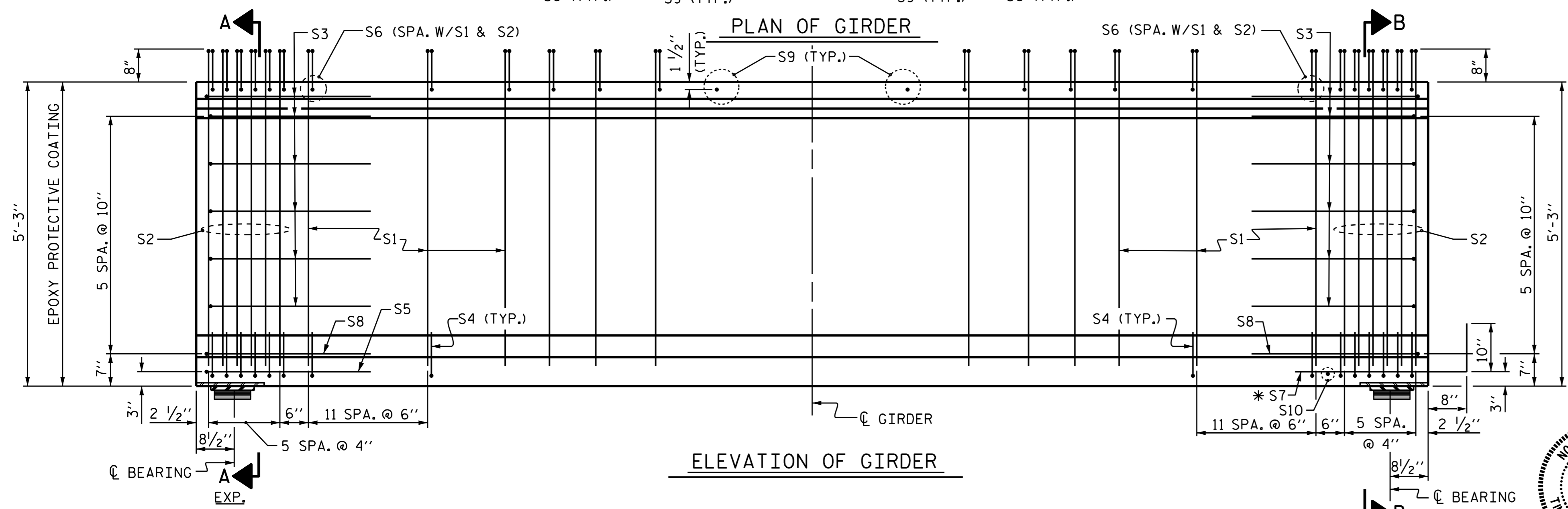
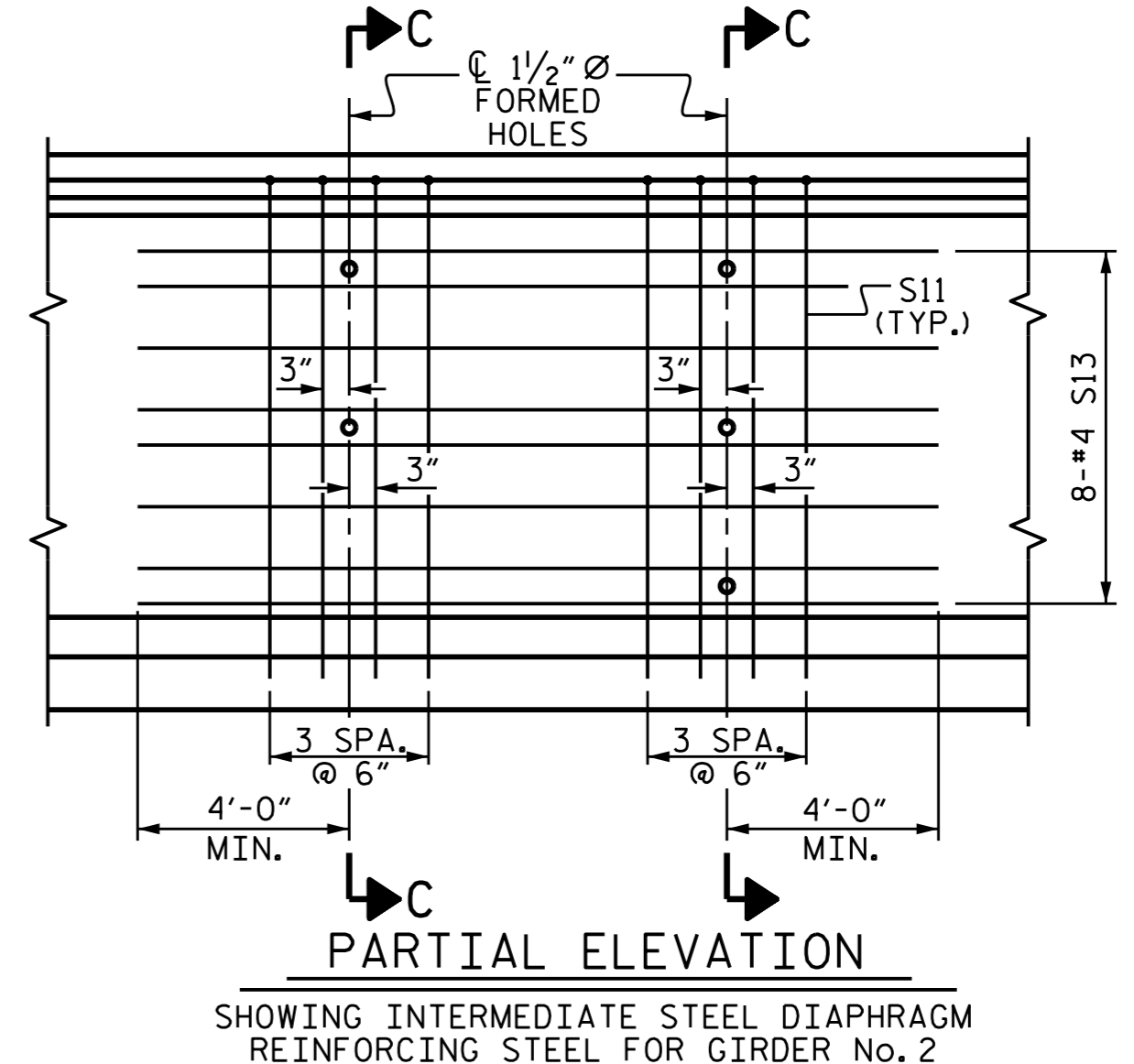
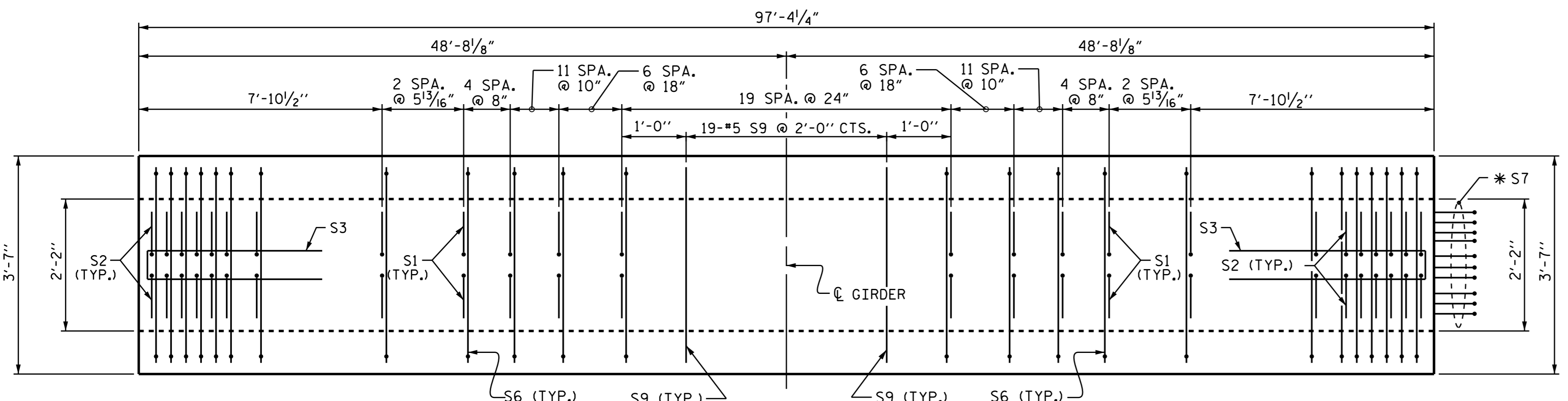
REINFORCING STEEL FOR ONE GDR						
BAR	NUMBER	SIZE	TYPE	LENGTH	WEIGHT	
S1	176	#4	1	6'-3"	735	EXTERIOR GDR.
S1	176	#4	1	6'-3"	735	INTERIOR GDR.
S2	24	#6	1	6'-3"	225	
S3	12	#4	2	8'-5"	67	
S4	72	#4	3	3'-0"	144	
S5	1	#5	2	9'-10"	10	
S6	200	#5	4	4'-4"	904	EXTERIOR GDR.
S6	200	#5	4	4'-4"	904	INTERIOR GDR.
*S7	10	#5	STR	3'-8"	38	
S8	2	#5	2	9'-0"	19	
S9	19	#5	STR	3'-3"	64	
S10	1	#3	STR	1'-10"	1	
S11	4	#5	5	10'-0"	42	EXTERIOR GDR.
S11	8	#5	5	10'-0"	83	INTERIOR GDR.
S12	16	#4	STR	8'-0"	86	EXTERIOR GDR.
S13	16	#4	STR	12'-8"	135	INTERIOR GDR.

* NOTE: S7 BARS SHALL BE BENT BEFORE SHIPMENT. HEAT BENDING SHALL NOT BE ALLOWED.



QUANTITIES FOR ONE GIRDER			
	REINFORCING STEEL	8000 PSI CONCRETE	0.6" Ø L.R. STRANDS
	LB.	C.Y.	No.
EXTERIOR GIRDER	2292	19.3	40
INTERIOR GIRDER	2358	19.3	40

GIRDERS REQUIRED		
NUMBER	LENGTH	TOTAL LENGTH
SPAN A	3	97'-4 1/4"
SPAN B	3	97'-4 1/4"



PROJECT NO. R-2514D
 JONES & CRAVEN COUNTY
 STATION: 19+43.00 -Y10RPA-

SHEET 1 OF 2

STATE OF NORTH CAROLINA
 DEPARTMENT OF TRANSPORTATION
 RALEIGH
 STANDARD
 63" PRESTRESSED CONCRETE
 MODIFIED BULB TEE
 CONTINUOUS FOR LIVE LOAD
 SPAN A & B

ASSEMBLED BY : M. PISO	DATE : 7/9/13
CHECKED BY : M. PISO	DATE : 3/14/14
DRAWN BY : EEM 2/6/97	REV. 5/1/06R TLA/GM
CHECKED BY : VAP 2/6/97	REV. 10/1/11 MAA/GM
	REV. 6/13 MAA/GM
ENGINEER OF RECORD: N. RUFFIN DATE: 1/28/15	

REVISIONS					
NO.	BY:	DATE:	NO.	BY:	DATE:
1			3		
2			4		

SHEET NO. S17-010
 TOTAL SHEETS 32