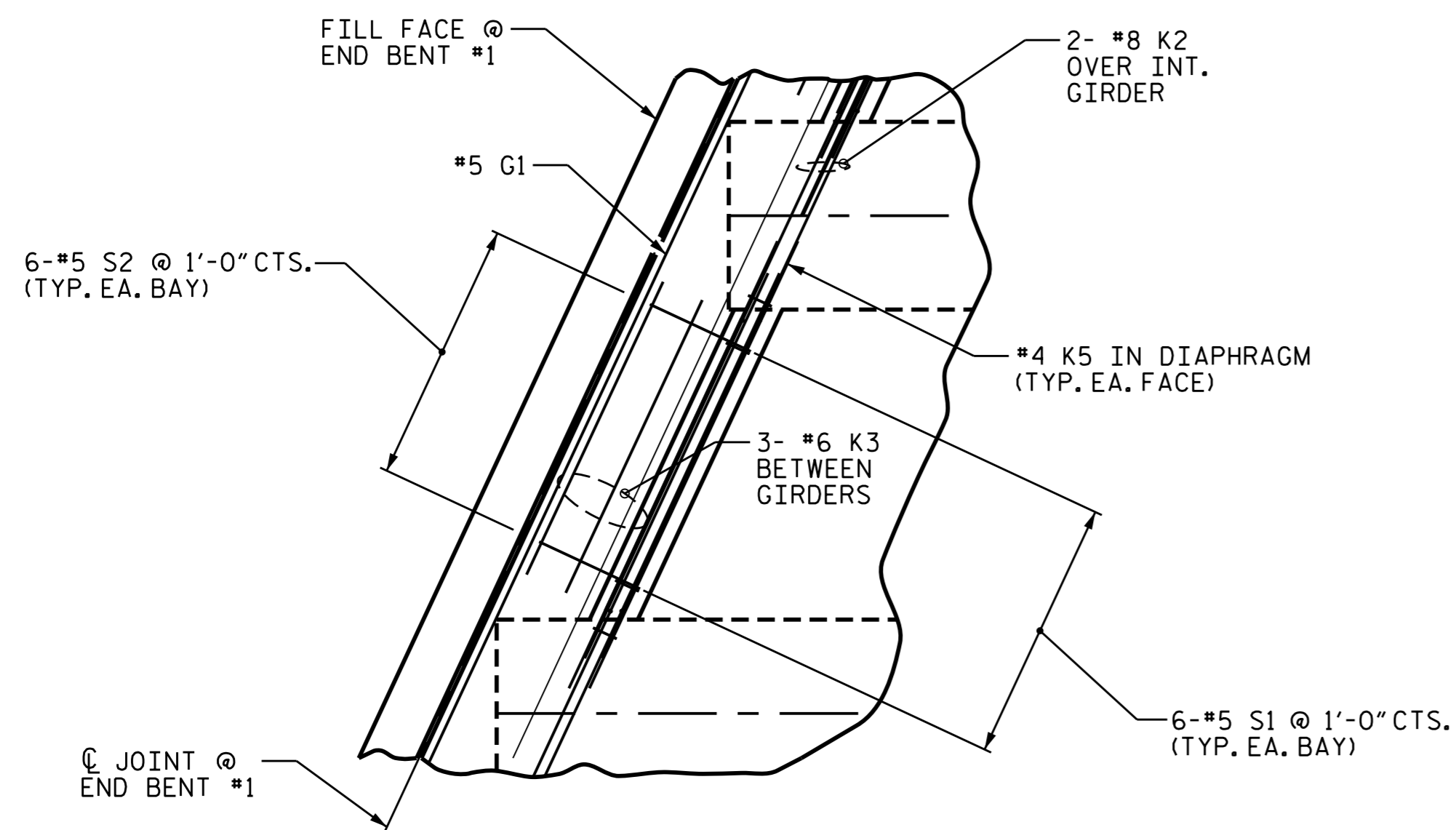
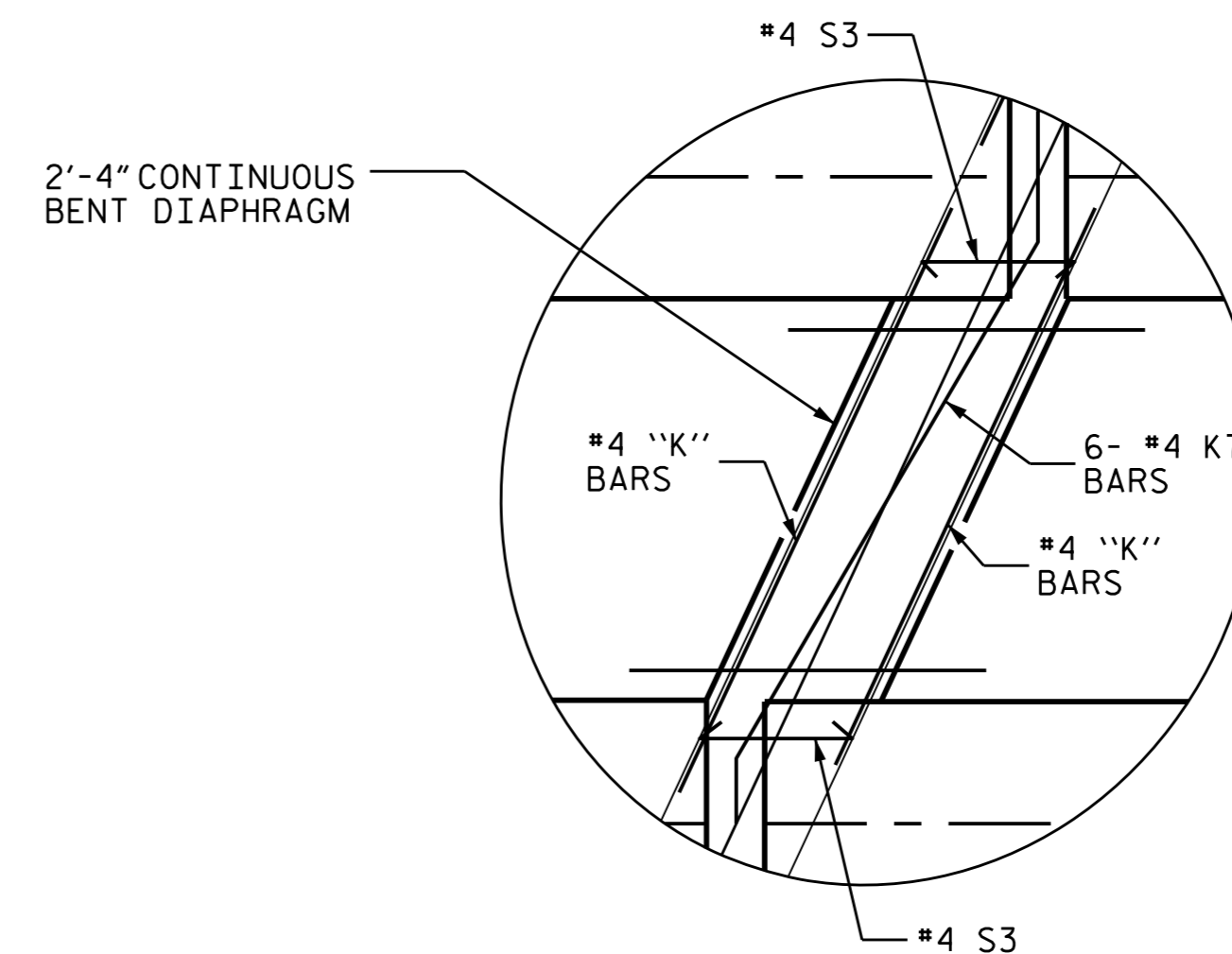


SPAN A



DETAIL "B"

SEE "SECTION THRU END BENTS" OF TYPICAL SECTION SHEET 2 OF 2



DETAIL "D"

SEE "SECTION THRU BENTS DIAPHRAGM" OF TYPICAL SECTION SHEET 2 OF 2



PROJECT NO. R-2514D
JONES & CRAVEN COUNTY
 STATION: 19+43.00 -Y10RPA-

SHEET 1 OF 2

STATE OF NORTH CAROLINA
 DEPARTMENT OF TRANSPORTATION
 RALEIGH

**SUPERSTRUCTURE
 PLAN OF SPANS
 SPAN A**

DRAWN BY : N. RUFFIN DATE : 7/15/13
 CHECKED BY : M. PISO DATE : 3/14/14
 DESIGN ENGINEER OF RECORD: N. RUFFIN DATE : 1/28/15

23-MAR-2015 10:11
 R:\Structures\Final Plans\DocuSign_Setup\417.000_R-2514D_SMU.S17-00.dgn
 kpaschal

REVISIONS						SHEET NO.
NO.	BY:	DATE:	NO.	BY:	DATE:	S17-007
1			3			TOTAL SHEETS
2			4			32

STR #17