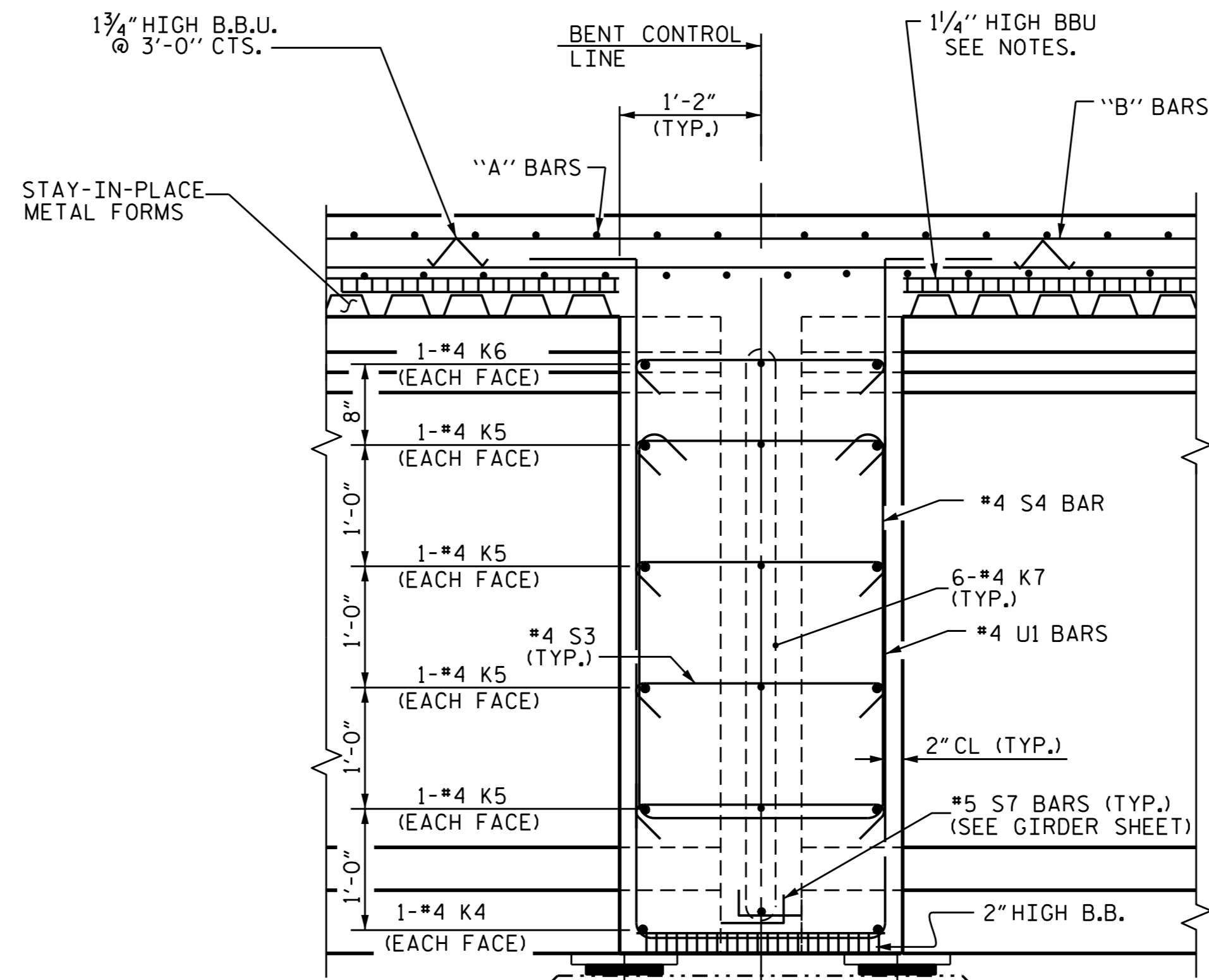
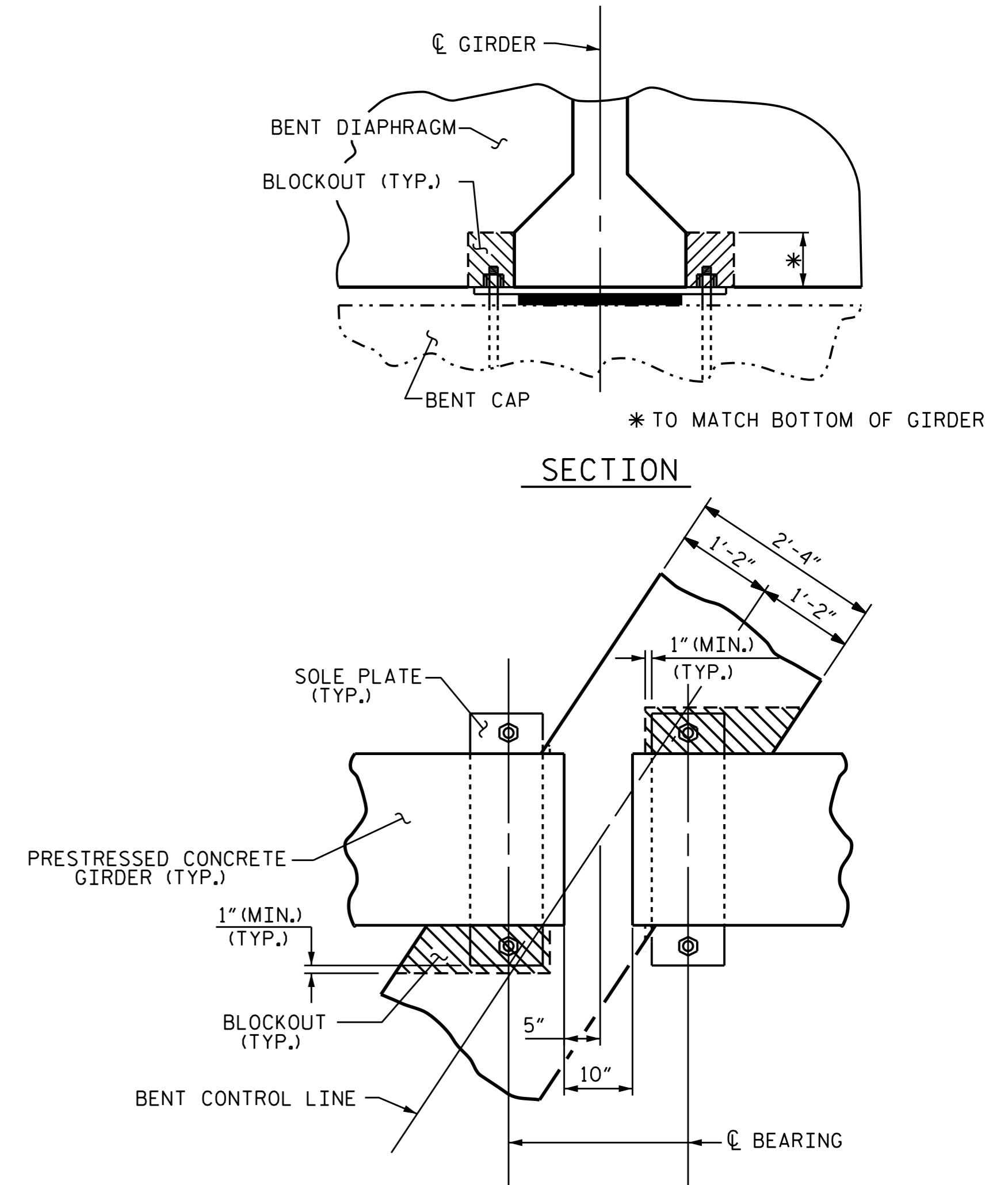


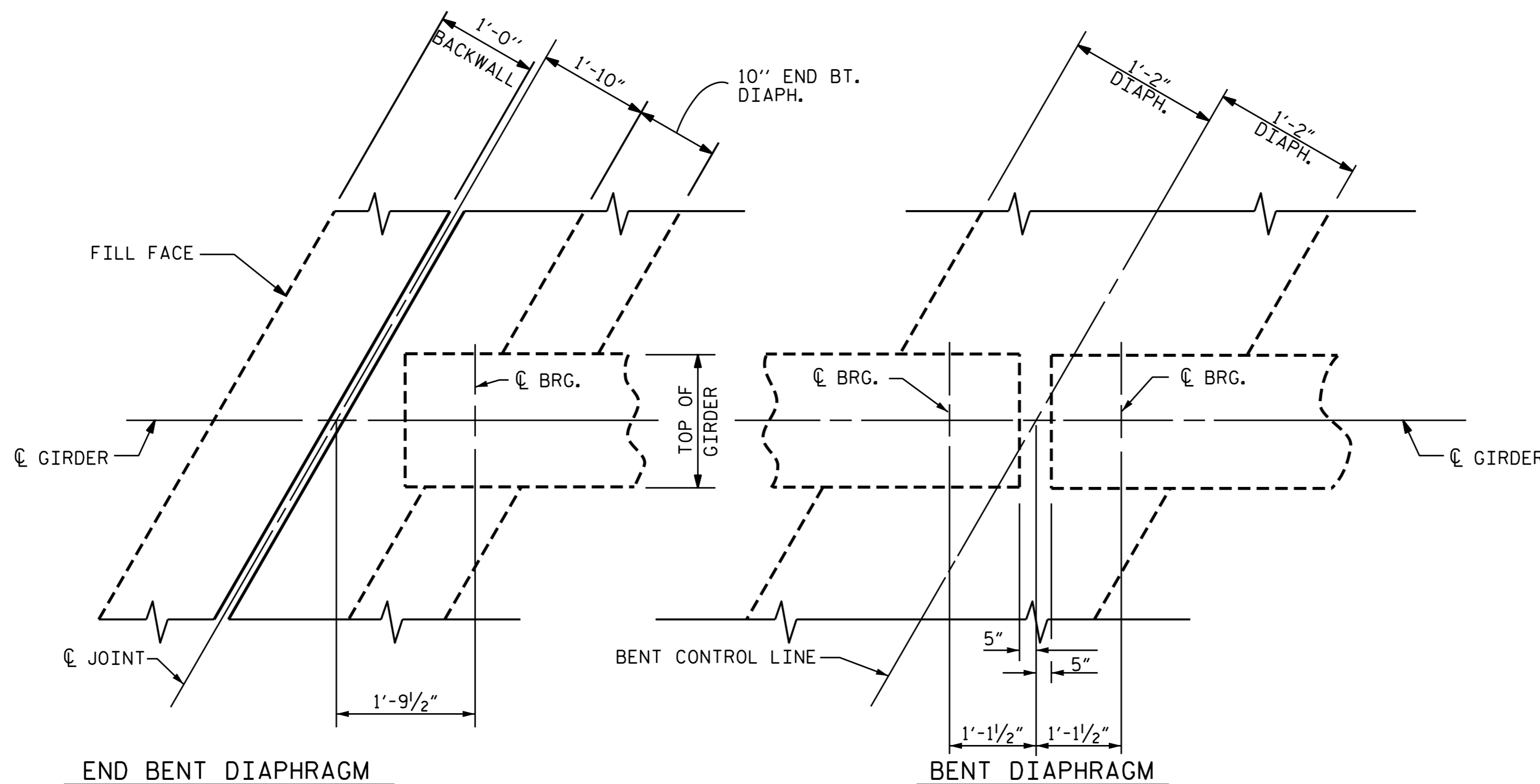
SECTION THRU END BENTS



SECTION THRU BENT DIAPHRAGM



BENT DIAPHRAGM BLOCK-OUT DETAIL



PLAN

PROJECT NO. R-2514D
 JONES & CRAVEN COUNTY
 STATION: 19+43.00 -Y10RPA-

SHEET 2 OF 2

STATE OF NORTH CAROLINA
 DEPARTMENT OF TRANSPORTATION
 RALEIGH
 SUPERSTRUCTURE
 TYPICAL SECTION
 DETAILS



DocuSigned by:
 Tim Cogswell
 DEFD4A8BFA47B
 3/23/2015

REVISIONS						SHEET NO.
NO.	BY:	DATE:	NO.	BY:	DATE:	S17-006
1			3			TOTAL SHEETS
2			4			32

DRAWN BY: N. Ruffin DATE: 7/12/13
 CHECKED BY: M. PISO DATE: 3/14/14
 DESIGN ENGINEER OF RECORD: N. RUFFIN DATE: 1/28/15